
项目名称

R2240-D10s plus

版本号

A00

设计时间

20220913

物料名称

说明书（欧版）

设计师

夏东波

审核

批准

料号

04170500001147

材质工艺要求：胶装

材质要求： 封面：157g 哑粉纸，单面过油；内页：68g 晨鸣云镜

颜色及专色： 灰色：K 55

尺寸要求： 成品尺寸：210*140MM

变更履历：

EN The word "dreame" is the abbreviation of Dreame Technology Co., Ltd. and its subsidiaries in China. It is the transliteration of the company's Chinese name " 追觅 ", which means striving for excellence in every endeavor and reflects the company's vision of continuous pursuit, exploration and search in technology.

DE Das Wort "dreame" ist die Abkürzung von Dreame Technology Co., Ltd und seinen Tochterunternehmen in China. Es ist die Transliteration des chinesischen Namens " 追觅 " dieser Firma, was für das Streben nach Vollendung steht und die Vision des Unternehmens widerspiegelt, nämlich im Bereich der Technologie unaufhaltsam weiterzustreben, zu erforschen und entdecken.

FR Dreame est l'abréviation de l'entreprise chinoise Dreame Technology Co. et ses filiales, qui est la traduction phonétique du nom chinois de l'entreprise, reflétant la vision de l'entreprise qui consiste à poursuivre, explorer et rechercher constamment les avancées technologiques.

IT La parola "dreame" è l'abbreviazione dell'azienda Dreame Technology Co., Ltd. e delle sue filiali in Cina. È la traslitterazione del nome cinese dell'azienda " 追觅 ", che dimostra la continua ricerca, esplorazione e visione di ricerca dell'azienda nella tecnologia.

ES La palabra "dreame" es la abreviatura de Dreame Technology Co., Ltd. y sus subsidiarias en China. Es la transliteración del nombre chino de "Dreame", que significa luchar por la excelencia en cada esfuerzo y refleja la visión de la compañía de continuamente buscar, explorar e investigar en tecnologías.

RU Dreame — сокращённое название китайской компании Dreame Technology Co., Ltd. и ее дочерних предприятий. Dreame является транслитерацией названия компании на китайском языке « 追觅 », в котором отражено корпоративное видение компании в сфере науки и технологий — непрерывный поиск, исследования и стремление к успеху.

PL Słowo "dreame" to skrót od Dreame Technology Co., Ltd. i spółek w Chinach. Jest to transliteracja chińskiej nazwy firmy " 追觅 " co oznacza dążenie do doskonałości w każdym przedsięwzięciu, odzwierciedlając wizję firmy, jaką jest ciągłe prowadzenie, odkrywanie i poszukiwania w nauce i technologii.

HE Dreame הינו שמו המקוצר של החברה הסינית Dreame Technology Co., Ltd. and its subsidiaries. זהו תעתיק המבוסס על צליל השם הסיני " 追觅 " וממחיש בתוכו את חזון החברה לחפש ולדרוף באופן בלתי פוסק בתחום הטכנולוגיה.

SA دريم هي مؤسسة صينية ويطلق على شركة دريم للتكنولوجيا المحدودة والشركات التابعة لها، وتعكس الترجمة الصوتية للمسمى الصيني " 追觅 " رؤية الشركة للسعي المستمر والاستكشاف والبحث في التكنولوجيا.



For more support, contact us via aftersales@dreame.tech

Website: <https://global.dreame.tech>

Manufactured by: Dreame Trading (Tianjin) Co., Ltd.

Made in China

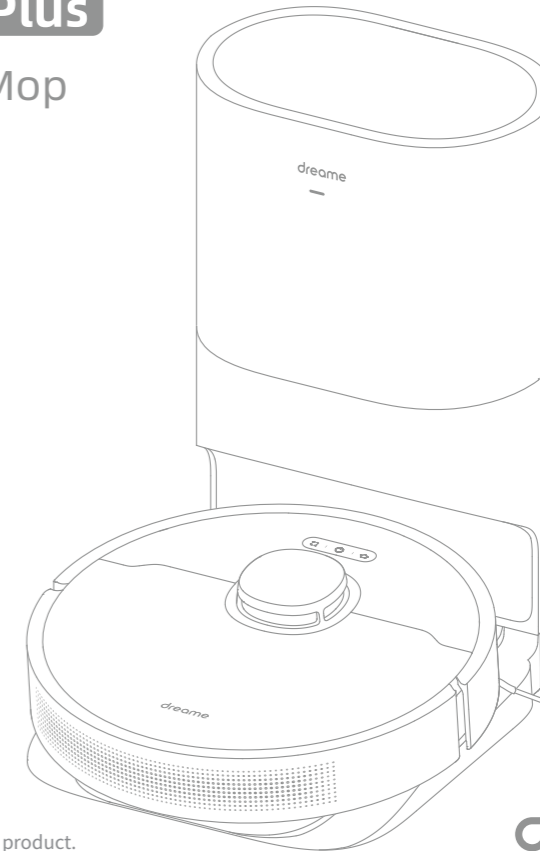


RLS6AD-EU-A00

09/2022

DreameBot D10s Plus

Auto-Empty Robot Vacuum and Mop User Manual



The illustrations in this manual are for reference only. Please refer to the actual product.

dreame

Contents

EN	User Manual	1
DE	Benutzerhandbuch	26
FR	Manuel d'utilisation	52
IT	Manuale utente	77
ES	Manual de usuario	102
RU	Инструкция по эксплуатации	127
PL	Instrukcja obsługi	153
HE	מדריך למשתמש	178
SA	دليل الاستخدام	202

Safety Information

To avoid electric shock, fire or injury caused by improper use of the appliance, please read the user manual carefully before using the appliance and keep it for future reference.

Usage Restrictions

- This product should not be used by children younger than 8 years old nor persons with physical, sensory, intellectual deficiencies, or limited experience or knowledge without the supervision of a parent or guardian to ensure safe operation and to avoid any risks. Cleaning and maintenance shall not be performed by children without supervision.
- Children shall not play with this product. Ensure children and pets are kept at a safe distance from the robot while it is operating.
- If the power cord becomes damaged or broken, stop using it immediately and contact after-sales service.
- This product is for floor cleaning in a home environment only. Do not use it outdoors, on non-floor surfaces, or in a commercial or industrial setting.
- Do not use the robot in an area suspended above ground level without a protective barrier.
- Do not place the robot upside down. Do not use the LDS cover, robot cover, or bumper as a handle for the robot.
- Do not use the robot at an ambient temperature above 40° C or below 0° C or on a floor with liquids or sticky substances.
- Pick up any cables from the floor before using the robot to prevent it from dragging them while cleaning.
- Remove fragile or small items from the floor to prevent the robot from bumping into and damaging them.

Safety Information

Usage Restrictions

- Keep hair, fingers, and other body parts away from the suction opening of the robots.
- To prevent damage or harm from dragging, clear any loose objects from the floor and remove cables or power cords along the cleaning path before operating the appliance.
- Keep the brush cleaning tool out of reach of children.
- Do not place children, pets, or any item on top of the robot regardless of whether it is stationary or moving.
- Do not use the robot to clean any burning objects. Do not use the robot to pick up flammable or combustible liquids, corrosive gases, or undiluted acids or solvents.
- Do not vacuum hard or sharp objects. Do not use the appliance to pick up objects such as stones, large pieces of paper or any item that may clog the appliance.
- Make sure the robot is turned off and the auto-empty base is unplugged before cleaning or performing maintenance.
- Do not use a wet cloth to wipe or any liquid to rinse the robot and auto-empty base. Washable parts must be dried completely before installing and using them.
- Make sure the robot is turned off when being transported and kept in its original packaging if possible.
- Please use this product in accordance with the instructions in the User Manual. Users are responsible for any loss or damage that arise from improper use of this product.

Batteries and Charging

- Do not use any third-party battery or auto-empty base. Use only with RCS2 supply unit.
- Do not attempt to disassemble, repair, or modify the battery or auto-empty base on your own.
- Do not place the auto-empty base near a heat source.

Safety Information

Batteries and Charging

- Do not use a wet cloth or wet hands to wipe or clean the base's charging contacts.
- Do not improperly dispose of old batteries. Unneeded batteries should be discarded at an appropriate recycling facility.
- If the robot will not be used for an extended period, fully charge it, then turn it off and store in a cool, dry place. Recharge the robot at least once every 3 months to avoid over-discharging the battery.
- This product contains batteries that can only be replaced by qualified technicians or after-sales service.

Laser Safety Information

- The laser sensor in this product meets the IEC 60825-1: 2014 Standard for Class 1 laser products. Please avoid direct eye contact with it during use.

Hereby, Dreame Trading (Tianjin) Co., Ltd. declares that the radio equipment type RL56AD is in compliance with Directive 2014/53/EU. The full text of the EU declaration of conformity is available at the following internet address: <https://global.dreame.tech>
For detailed e-manual, please go to <https://global.dreame.tech/pages/user-manuals-and-faqs>

Product Overview

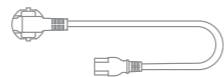
Accessories



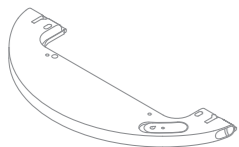
Cleaning Tool



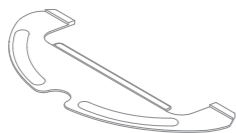
Side Brush



Power Cord



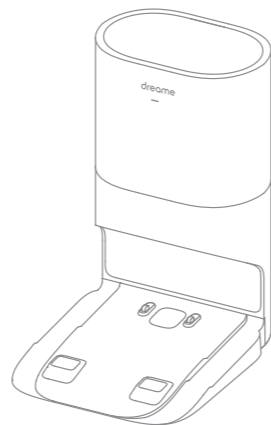
Water Tank



Mop Pad



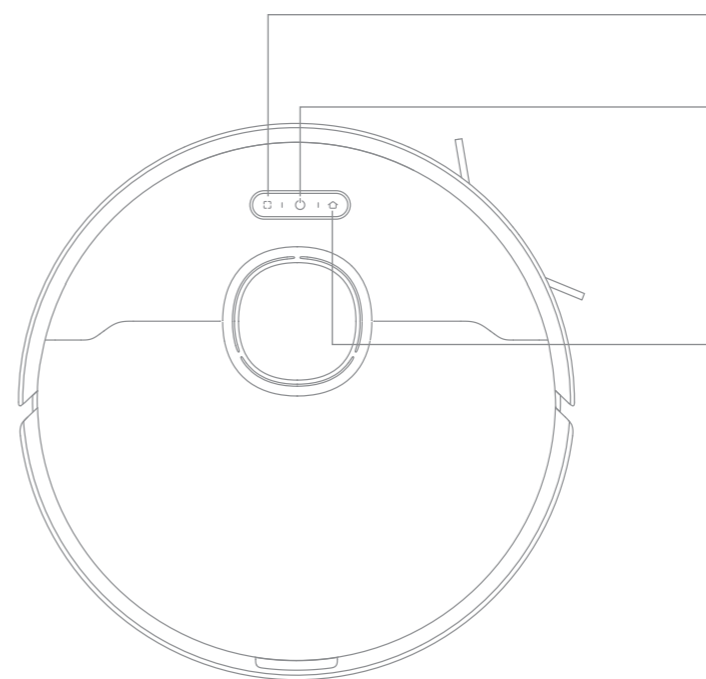
Dust Collection Bag
(replacement)



Auto-Empty Base

Product Overview

Robot



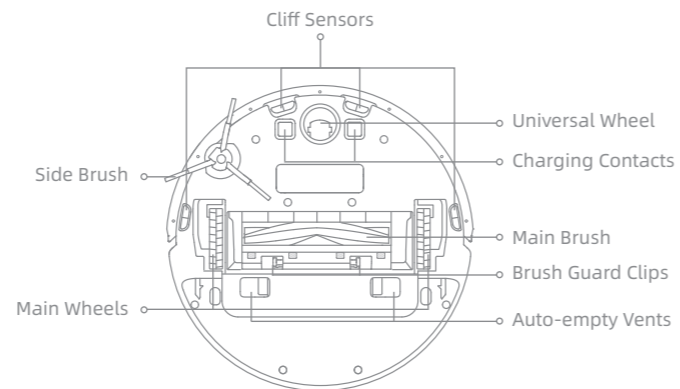
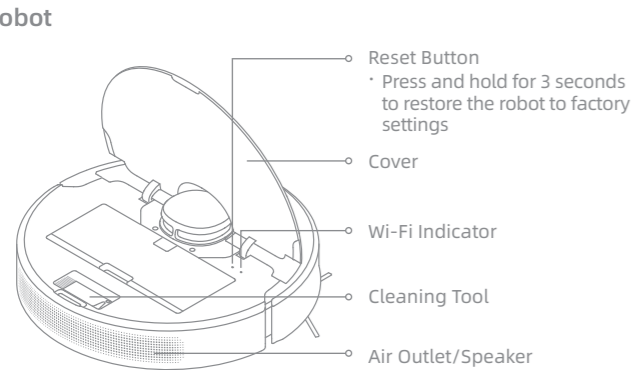
- Spot Cleaning Button
 - Press briefly to start spot cleaning
- Power/Clean Button
 - Press and hold for 3 seconds to turn on or off
 - Press briefly to start cleaning after the robot is turned on

- Dock Button
 - Press to send the robot back to the base
 - Press and hold for 3 seconds to disable Child Lock

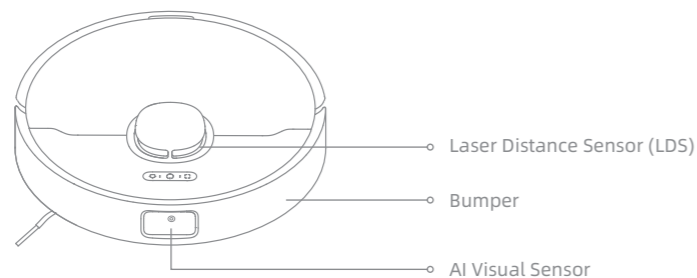
- Status Indicator
- Solid White: Cleaning or cleanup is completed
 - Blinking Orange: Error
 - Solid Blue: Camera monitoring enabled

Product Overview

Robot

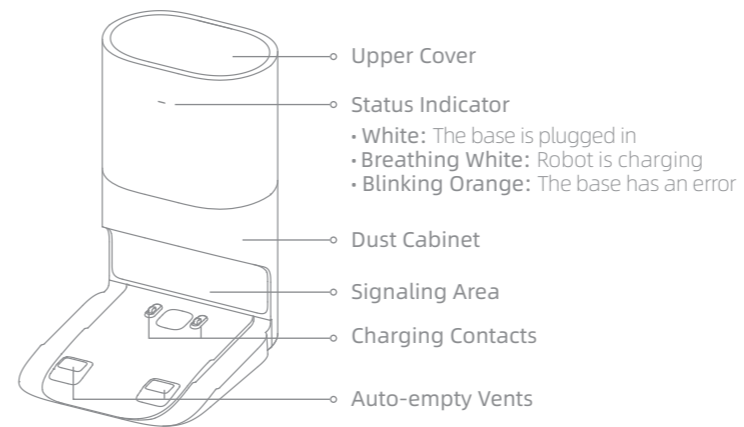


Robot Sensors

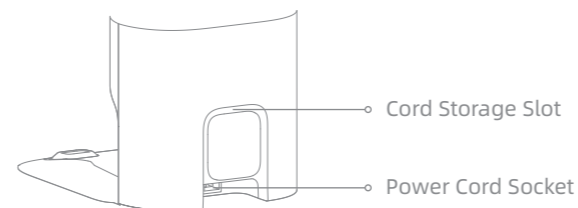


Product Overview

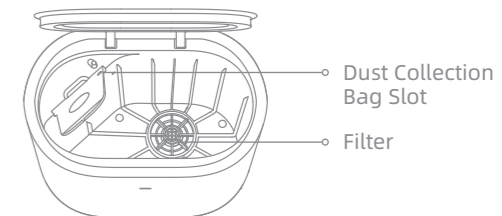
Auto-Empty Base



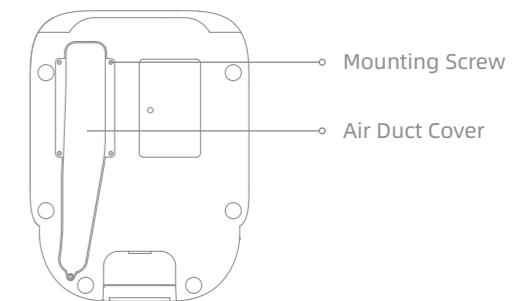
Back



Open the upper cover

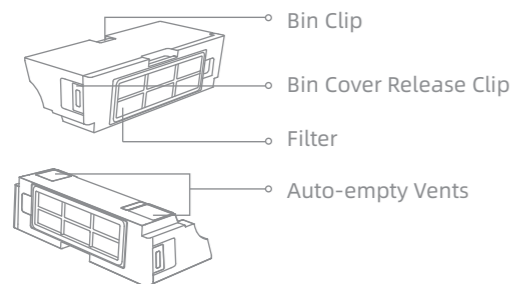


Bottom



Product Overview

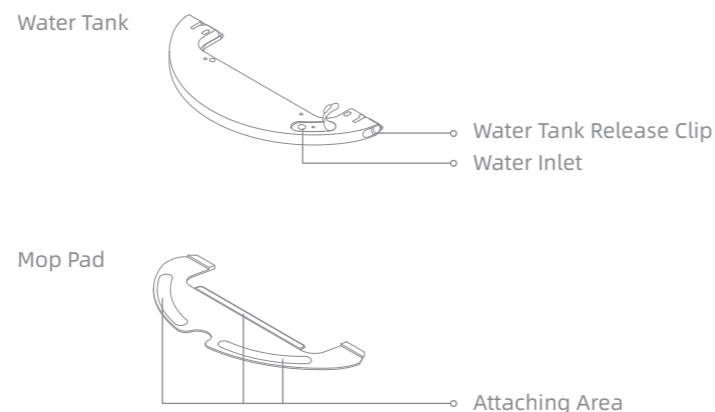
Dust Bin



Dust Collection Bag



Mopping Module

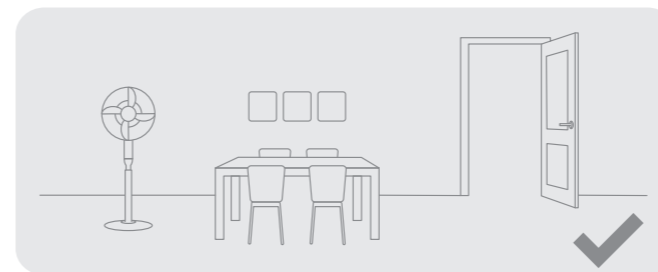


Note: Due to the factory setting, a new dust collection bag has been installed inside already.

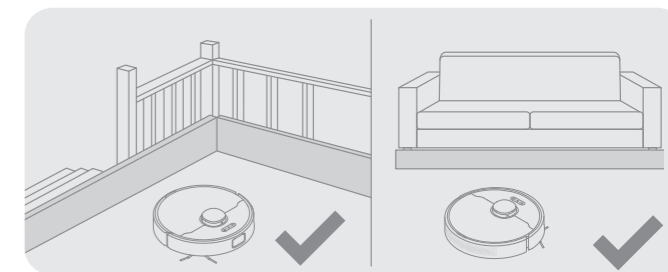
Preparing Your Home



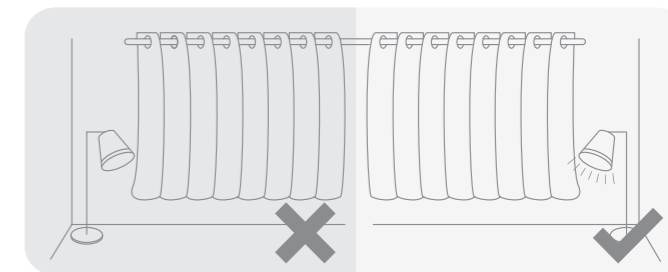
Tidy up items such as power cords, cloths, slippers, and toys to improve the efficiency of the robot.



Open the door of the room to be cleaned, and put the furniture in its proper place to leave more space.



Before cleaning, place a physical barrier at the edge of the stairs and sofa to ensure smooth operation.



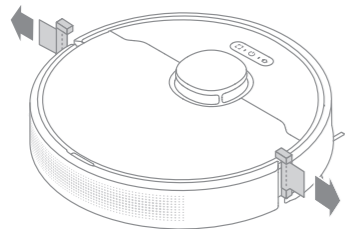
With the AI visual sensor, the robot can better recognize and avoid obstacles such as power cords, shoes, and socks. For best performance, make sure that all areas to be cleaned are well-lit.

Note:

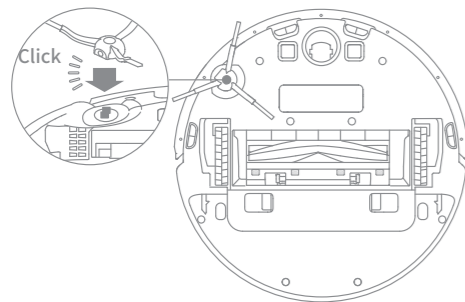
- When operating the robot for the first time, follow it around while cleaning to remove any potential obstacles in time.
- To prevent the robot from not recognizing areas that need to be cleaned, do not stand in front of the robot, threshold, hallway, or narrow places.

Before Use

1. Remove the protective strips



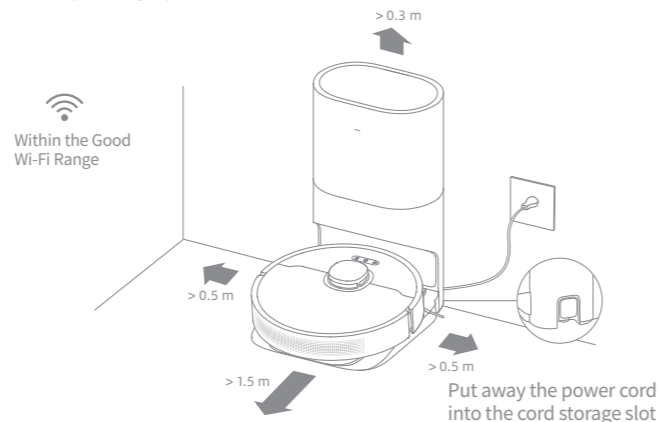
2. Install the side brush



Note: Install the side brush until it clicks into place.

3. Connect to a power outlet and start charging

Place the base on level ground against the wall and connect it to a power outlet. Place the robot onto the base to charge. The robot will turn on automatically and begin charging. It is recommended to fully charge your robot before first-time use.



Note:

- Keep the immediate area 1.5 m in front of the base and 0.5 m to its both sides clear of objects.
- Make sure that no objects might block the signaling area.

About the Auto-Empty Base

It is recommended that the robot set out from the base before cleaning. Do not move the base while the robot is cleaning. This ensures that the robot returns to base smoothly.

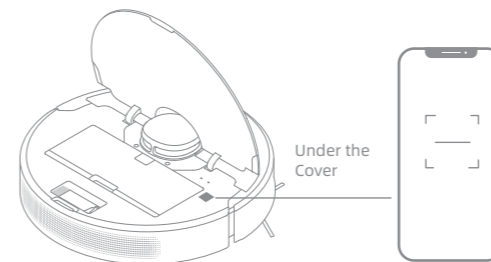
After the robot completes the cleaning task and automatically returns to the base, the base will start auto-empty. More settings can be operated on the app.

Connecting with the Dreamehome App

This product works with the Dreamehome app, which can be used to control your device.

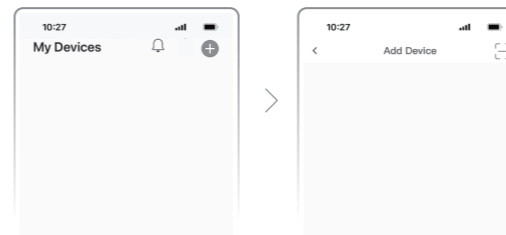
1. Download the Dreamehome App

Scan the QR code on the robot, or search "Dreamehome" in the app store to download and install the app based on your needs.



2. Add Device

Open the Dreamehome app, tap "+" in the upper right, and then scan the QR code above again to add "DreameBot D10s Plus". Please follow the prompts to finish the Wi-Fi connection.

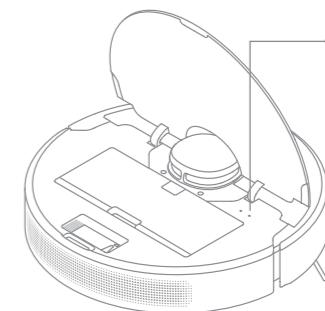


Note:

- Only 2.4 GHz Wi-Fi networks are supported.
- Due to upgrades in the app software, the actual operations may be different from the statements in this manual. Please follow the instructions based on the current app version.

3. Reset Wi-Fi

Simultaneously press and hold the buttons and until you hear a voice say, "Waiting for the network configuration." Once the Wi-Fi indicator is blinking slowly, the Wi-Fi has been successfully reset.



Wi-Fi Indicator

- Blinking slowly: To be connected
- Blinking quickly: Connecting
- On: Connected



Note: If your robot cannot connect to the app successfully, reset the Wi-Fi and add the device again.

How to Use


1. Fast Mapping

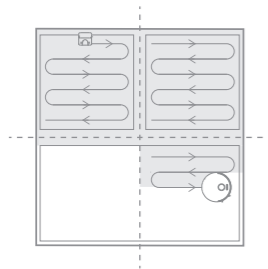
After configuring the network for the first time, follow the instructions on the app to quickly create a map. The robot will start mapping without cleaning. When the robot returns to the base, the mapping process has been completed and the map will be saved automatically.

2. Turn On/Off

Press and hold the  button for 3 seconds to turn on the robot. The power indicator should be illuminated. Place the robot onto the base. The robot should turn on automatically and begin charging. To turn off the robot, move the robot away from the base and press and hold the  button for 3 seconds.

3. Start Cleaning

Press the button  briefly to start cleaning after the robot is turned on. The robot will accurately map out a route, methodically clean along the edges and walls, then finish by cleaning each room in an S-shaped pattern to ensure a thorough job.



4. Pause/Sleep

When the robot is running, press any button to pause it. If the robot is paused for more than 10 minutes, it automatically enters sleep mode. All indicators on the robot will turn off. Press any button on the robot, or use the app to wake up the robot.

Note:

- The robot will turn off automatically if left in Sleep Mode for more than 12 hours.
- If the robot is paused and placed onto the base, the current cleaning task will end.


5. Do Not Disturb (DND) Mode

When the robot is set to the Do Not Disturb (DND) mode, the robot will be prevented from resuming cleaning and the power indicator goes out. The DND mode is disabled by default at the factory. You can use the app to enable the DND mode or modify the DND period. The DND period is 22:00-8:00 by default.

Note:

- The scheduled cleaning tasks will be performed on time during the DND period.
- The robot will resume cleanup where it left off after the DND period expires.

6. Spot Cleaning

When the robot is on standby, press briefly the  button to enable the spot cleaning mode. In this mode, the robot cleans a square-shaped area of 1.5 × 1.5 meters around it and returns to its starting point once the spot cleaning is completed.

How to Use

7. Scheduled Cleaning

You can schedule cleaning time in the Dreamehome app. The robot will automatically start cleaning at the designated time and then return to the base to recharge when the cleaning is done.

8. Additional App Functions

Follow the instructions on the app interface to use more functions. The version of the app might have been updated. Please follow the instructions based on the current app version.

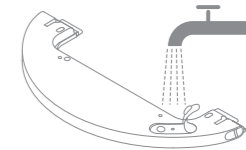
9. Use the Mopping Function

It is recommended that all floors are vacuumed at least three times before the first mopping session to achieve a better cleaning effect.

1) Dampen the mop pad and wring out excess water. Install the mop pad as shown in the diagram.




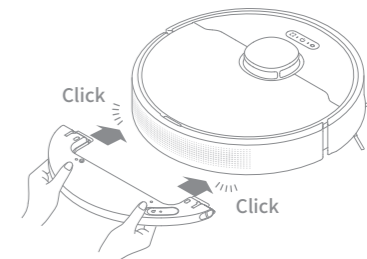
2) Fill the tank with water.



Note:

- Do not use detergent or disinfectant.
- Do not fill the water tank with hot water as this may cause the water tank to warp.

3) Align the mopping module as indicated by the arrow, then slide it into the back of the robot until it clicks into place. Press the button  or use the Dreamehome app to start cleaning.



Note:

- It is not recommended to use the mopping function on carpets.
- Use the app to adjust the water flow as required.

Routine Maintenance

Parts

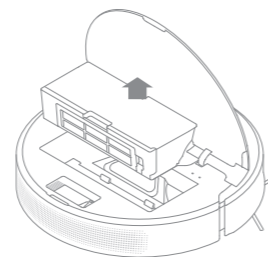
To keep the robot in good condition, it is recommended to refer to the following table for routine maintenance.

Part	Maintenance Frequency	Replacement Period
Mop pad	After each use	Every 3 to 6 months
Main brush	Once every 2 weeks	Every 6 to 12 months
Dust bin filter		Every 3 to 6 months
Side brush	Once every month	/
Auto-empty base's signaling area		
Charging contacts		
Auto-empty vent		
Universal wheel		
Laser Distance Sensor (LDS)		
AI visual sensor		
Cliff sensors		
Water tank	Clean it as needed	/
Dust bin		
Dust collection bag	/	8-10 weeks

Note: The replacement frequency will depend on your usage of the robot. If an exception occurs due to special circumstances, the parts should be replaced.

Clean the Dust Bin and Filter

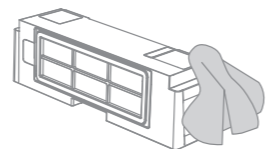
1. Open the robot cover and press the bin clip to remove the dust bin.



2. Open the bin cover and empty the bin as shown in the diagram.

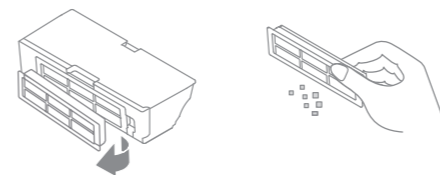


3. Clean the auto-empty vent.



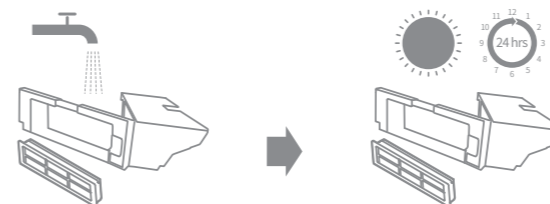
Routine Maintenance

4. Remove the filter and tap its basket gently.



Note: Do not attempt to clean the filter with a brush, finger, or any sharp objects so as to avoid damaging it.

5. Rinse the dust bin and filter with water and dry them completely before reinstalling.

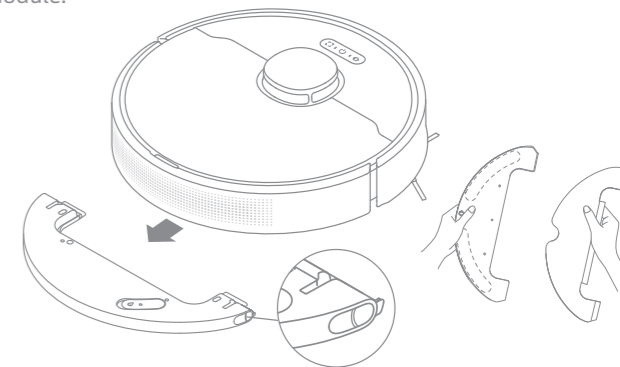


Note:

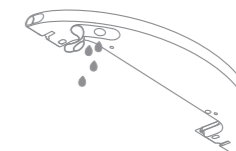
- Rinse the dust bin and filter with clean water only. Do not use any detergent.
- Use the dust bin and filter only when they are completely dry.

Clean the Mopping Module

1. Slide the two release clips on the side of water tank to remove the mopping module, and then pull the mop pad off the mopping module.



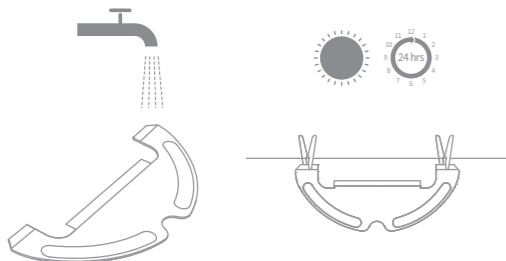
2. Pour out the water in the tank. Clean with water only and leave to air dry before re-installing.



Note: Do not directly expose the water tank to sunlight.

Routine Maintenance

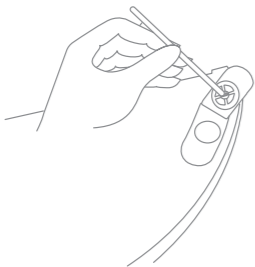
3. Clean the mop pad with water only and leave it to air dry before re-installing.



Note:

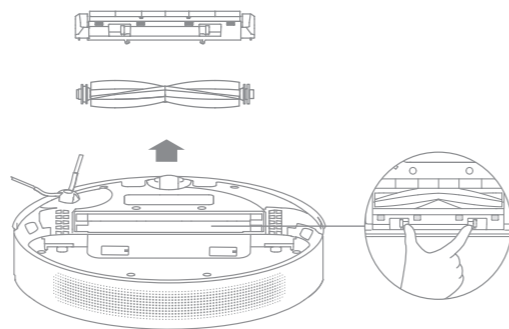
- Remove the pad from the mopping module before cleaning it. Make sure dirty water does not flow back into the water outlet to avoid clogging.

4. If the water flows too slowly or the outflow is not well-distributed, please clean the air hole on the cover of the water tank.



Clean the Main Brush

1. Press the brush guard clips inwards to remove the brush guard and lift the brush out of the robot.



2. Pull out the brush covers as shown in the diagram. Use the included cleaning tool to remove any hairs tangled in the brush.

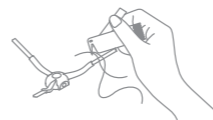


Note: Do not pull out the hair tangled in the main brush too vigorously. Doing so may damage the brush.

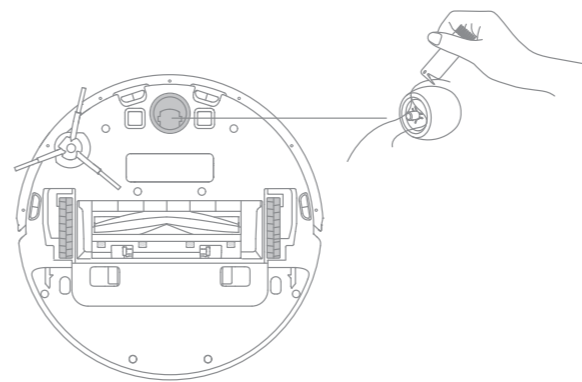
Routine Maintenance

Clean the Side Brush

Pull out the side brush and use the included cleaning tool to remove any hair tangled in the brush.



Clean the Main Wheel / Universal Wheel

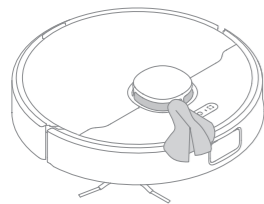


Note: Use a tool such as a small screwdriver to separate the axle and tire of the universal wheel.

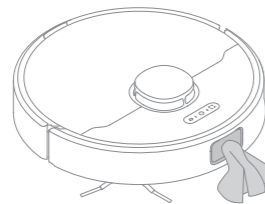
Routine Maintenance

Note: Wet cloths can damage sensitive elements within the robot and base. Please use dry rags for cleaning.

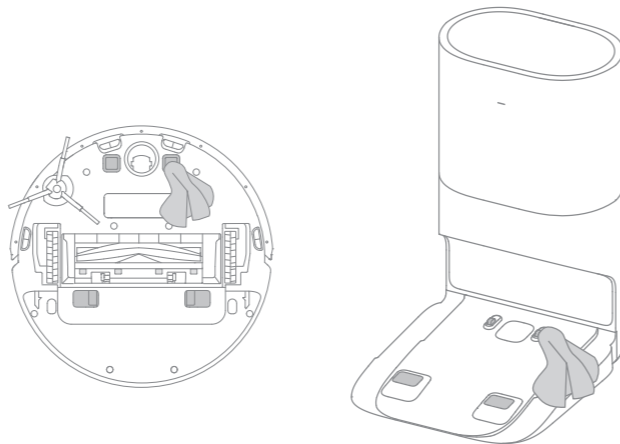
Clean the LDS Laser Sensor



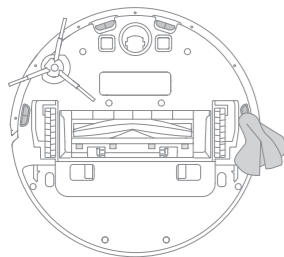
Clean the AI Visual Sensor



Clean the Charging Contacts and Auto-empty Vents



Clean the Cliff Sensor

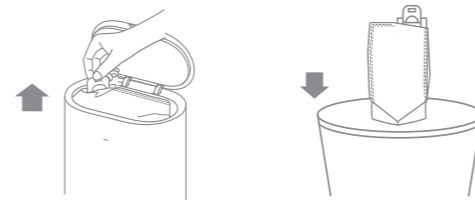


Routine Maintenance

Replace the Dust Collection Bag

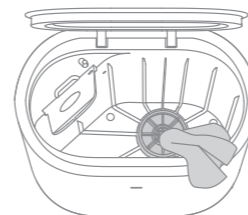
According to the status indicator (blinking orange) and app prompts, replace the dust collection bag with a new one when it is full.

1. Discard the dust collection bag.

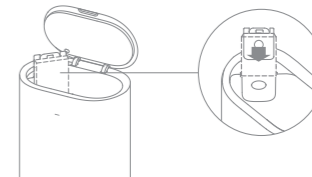


Note: When taking out the collection bag, close the bag handle to avoid dust leaking out.

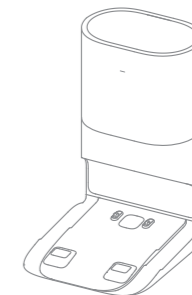
2. Wipe the filter with a dry cloth.



3. Install a new dust collection bag.



4. Close the upper cover of auto-empty base.



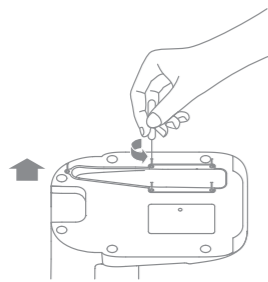
Note: Do not close the base forcefully if the upper cover cannot be closed or the dust collection bag is not installed.

Routine Maintenance

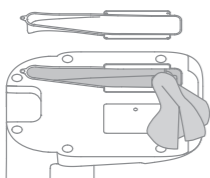
Clean the Air Duct

If the air duct is blocked, please clean it according to the following steps.

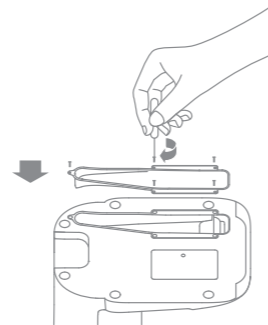
1. Unscrew mounting screws on the air duct cover and remove the cover plate.





2. Check whether the air duct is blocked by foreign objects. If any, clean them.



3. Reinstall the air duct cover as shown in the diagram.



Robot Restarting

If the robot stops responding or cannot be turned off, press and hold down the button  for 10 seconds to forcefully turn it off. Then press and hold the button  for 3 seconds to turn the robot on.

Battery

The robot contains a high-performance lithium-ion battery pack. Please ensure that it remains well-charged for daily use to maintain optimal battery performance. If the robot is not used for an extended period of time, turn it off and put it away. To prevent damage from over-discharging, the robot should be recharged at least once every three months.

Troubleshooting

Problem Type	Solution
Robot does not turn on	The battery level is low. Recharge the robot on the base, then try it again. The temperature of the battery is too low or too high. It is recommended to operate the appliance at a temperature between 32 °F (0°C) and 104 °F (40°C).
Robot cannot recharge	The base is not receiving power. Please confirm that both ends of the power cord are plugged in correctly. The robot may be in poor contact with the charging contacts. Clean the charging contacts on both the base and the robot.
Robot cannot return to the base	There are too many obstructions around the base. Place the base in a more open area. Please clean the signaling area of the base. Moving the robot may cause it to re-position itself or re-map its surroundings. If the robot is too far from the base, it might not be able to automatically return on its own, in which case you need to manually place the robot onto the base.
Robot is malfunctioning	Turn off the robot and then reactivate it.
Robot is making a strange noise	A foreign object may be caught in the main brush, side brush, or one of the main wheels. Stop the robot and remove any debris.
Robot no longer cleans efficiently or leaves dust behind	The dust bin is full. Please clean the dust bin and auto-empty vent. The filter is blocked. Please clean it. A foreign object is caught in the main brush. Please clean it.

Troubleshooting

Problem Type	Solution
Robot cannot connect to Wi-Fi	<p>There is something wrong with the Wi-Fi connection. Reset the Wi-Fi and download the latest version of the Dreamehome app, then try reconnecting.</p> <p>Location permission may not have been granted. Please ensure the location permission on the Dreamehome app is enabled.</p> <p>Wi-Fi signal is weak. Make sure the robot is in an area with good Wi-Fi coverage.</p> <p>5GHz Wi-Fi is not supported. Please ensure your robot connects to 2.4GHz Wi-Fi.</p> <p>The username or password of Wi-Fi is incorrect. Please enter the correct username and password.</p>
Robot does not perform scheduled cleaning	The robot has low battery. Scheduled cleaning will not start unless the robot has at least 15% battery left.
Does leaving the robot on the base consume power if it is already fully charged?	Leaving the robot on the base after it's fully charged consumes very little electricity and helps maintain optimal battery performance.
No water comes out of the water tank, or only a little bit comes out	<p>Check whether there is water inside the water tank.</p> <p>Clean the mop if it becomes dirty.</p> <p>Make sure the mop pad is installed correctly according to the user manual.</p> <p>Clean the blowhole on the top of the water tank.</p>
Robot doesn't resume cleaning after charging	<p>Make sure the robot is not set to Do Not Disturb mode (DND) as this will prevent it from resuming cleaning.</p> <p>The robot does not resume cleaning when it is manually recharged or placed onto the base.</p>

Troubleshooting

Problem Type	Solution
Robot returns to the base without performing auto-empty tasks	DND mode prevents the robot from performing auto-empty tasks.
The dust collection bag is full	Check whether the dust collection bag is full. If so, replace it with a new one. It is recommended to replace the bag every 8-10 weeks. If not, check whether the auto-empty vent or air duct at the bottom of the base is blocked. Remove any blockage before use.
The auto-empty duration can be unacceptably long sometimes	When the robot has been performing auto-empty tasks for a period of time, or when the air duct does not function smoothly, the auto-empty duration will be extended to prevent blockage.
The upper cover of base fails to be closed	Check whether a dust collection bag is installed. If not, install one.

For additional services, please contact us via aftersales@dreame.tech
 Website: <https://global.dreametech.com>

Specifications

Robot

Model	RLS6AD
Charging Time	Approx. 6 hours
Rated Voltage	14.4 V \equiv
Rated Power	46 W
Operation Frequency	2400-2483.5 MHz
Maximum Output Power	< 20 dBm

Auto-Empty Base

Model	RCS2
Rated Input	220-240 V~ 50-60 Hz
Rated Output	19.8 V \equiv 1 A
Rated Power	800 W

Under normal use of condition, this equipment should be kept a separation distance of at least 20 cm between the antenna and the body of the user.

Battery Disposal and Removal

The built-in lithium-ion battery contains substances that are hazardous to the environment. Before disposing of the battery, make sure the battery is removed by qualified technicians and discarded at an appropriate recycling facility.

- the battery must be removed from the appliance before it is scrapped;
- the appliance must be disconnected from the supply mains when removing the battery;
- the battery is to be disposed of safely.

CAUTION:

- Before removing the battery, disconnect the power and run out the battery as much as possible.
- Unneeded batteries should be discarded at an appropriate recycling facility.
- Do not expose to high temperature environment to avoid risks of explosion.
- Under abusive conditions, liquid may be ejected from the battery. If contact occurs, flush with water and seek medical help.

Removal Guide

1. Turn over the robot, use a proper tool to remove the screws on the back of the robot, and then remove the cover.
2. Unplug the terminals between the battery and PCB board to remove the battery.

WEEE Information



All products bearing this symbol are waste electrical and electronic equipment (WEEE as in directive 2012/19/EU) which should not be mixed with unsorted household waste. Instead, you should protect human health and the environment by handing over your waste equipment to a designated collection point for the recycling of waste electrical and electronic equipment, appointed by the government or local authorities. Correct disposal and recycling will help prevent potential negative consequences to the environment and human health. Please contact the installer or local authorities for more information about the location as well as terms and conditions of such collection points.

Sicherheitsinformationen

Um Stromschläge, Brände oder Verletzungen durch unsachgemäßen Gebrauch des Geräts zu vermeiden, lesen Sie bitte die Bedienungsanleitung vor dem Gebrauch sorgfältig durch und bewahren Sie sie zum späteren Gebrauch auf.

Nutzungseinschränkungen

- Um einen sicheren Betrieb zu gewährleisten und Risiken zu vermeiden, darf dieses Produkt nicht von Kindern unter 8 Jahren, von Personen mit körperlichen, sensorischen oder geistigen Einschränkungen oder von Personen mit mangelnden Kenntnissen ohne Aufsicht eines Elternteils oder Vormunds verwendet werden. Kinder dürfen die Reinigung und Wartung nicht ohne Aufsicht durchführen.
- Kinder dürfen nicht mit diesem Produkt spielen. Sorgen Sie dafür, dass Kinder und Haustiere während des Betriebs des Roboters einen sicheren Abstand zum Gerät halten.
- Wenn das Stromkabel beschädigt ist, schalten Sie das Gerät sofort aus und wenden Sie sich an den Kundendienst.
- Dieses Produkt ist nur für die Bodenreinigung in einer häuslichen Umgebung geeignet. Benutzen Sie es nicht im Freien, auf anderen Oberflächen als dem Boden oder in einer kommerziellen oder industriellen Umgebung.
- Verwenden Sie den Roboter nicht in einem Bereich, der sich über dem Bodenniveau befindet und der nicht durch eine Schutzbarriere begrenzt wird.
- Stellen Sie den Roboter nicht auf den Kopf. Verwenden Sie die LDS-Abdeckung, die Roboterabdeckung oder den Bumper nicht als Griff für den Roboter.
- Benutzen Sie den Roboter nicht in Umgebungen, in denen die Temperaturen über 40 °C oder unter 0 °C liegen, und auch nicht auf Böden mit Flüssigkeiten oder klebrigen Substanzen.
- Heben Sie Kabel vom Boden auf, bevor Sie den Roboter benutzen, um zu verhindern, dass diese während der Reinigung mitgezogen werden.
- Entfernen Sie zerbrechliche oder kleine Gegenstände vom Boden, um zu verhindern, dass der Roboter sie anstößt und beschädigt.

Sicherheitsinformationen

Nutzungseinschränkungen

- Entfernen Sie lose Gegenstände vom Boden und entfernen Sie Kabel oder Netzkabel am Reinigungsweg, bevor Sie das Gerät in Betrieb nehmen, um Schäden oder Schäden beim Anziehen zu verhindern.
- Halten Sie Haare, Finger und andere Körperteile von der Saugöffnung des Roboters fern.
- Bitte halten Sie die Reinigungswerkzeuge für die Bürste von Kindern fern.
- Kinder, Haustiere oder Gegenstände dürfen weder auf dem stillstehenden noch dem sich bewegenden Roboter positioniert werden.
- Benutzen Sie den Roboter nicht zum Aufwischen oder Aufsaugen brennender Substanzen. Verwenden Sie den Roboter nicht zum Aufsaugen von entflammaren oder brennbaren Flüssigkeiten, ätzenden Gasen oder unverdünnten Säuren oder Lösungsmitteln.
- Saugen Sie keine harten oder scharfen Gegenstände ein. Verwenden Sie das Gerät nicht zum Aufnehmen von Gegenständen wie Steinen, großen Papierstücken oder anderen Dingen, die das Gerät verstopfen könnten.
- Stellen Sie sicher, dass der Roboter ausgeschaltet und die Auto-Entleerungsbasis vom Strom getrennt ist, bevor Sie Reinigungs- oder Wartungsarbeiten durchführen.
- Verwenden Sie kein nasses Tuch zum Abwischen und keine Flüssigkeit zum Abspülen des Roboters und der Basis. Waschbare Teile müssen vollständig getrocknet werden, bevor sie installiert und verwendet werden.
- Stellen Sie sicher, dass der Roboter beim Transport ausgeschaltet ist und möglichst in der Originalverpackung befördert wird.
- Bitte verwenden Sie das Produkt gemäß den Anweisungen im Benutzerhandbuch. Der Benutzer ist für jeglichen Verlust oder Schaden verantwortlich, der aufgrund inkorrektter Verwendung dieses Produkts entsteht.

Sicherheitsinformationen

Akkus und Ladung

- Verwenden Sie keine Akkus oder Auto-Entleerungsbasis von Drittanbietern. Bitte ausschließlich mit Versorgungseinheit RCS2 verwenden.
- Versuchen Sie nicht, den Akku oder die Auto-Entleerungsbasis selbst zu zerlegen, zu reparieren oder zu modifizieren.
- Stellen Sie die Auto-Entleerungsbasis nicht in der Nähe einer Wärmequelle auf.
- Verwenden Sie kein nasses Tuch oder keine nassen Hände, um die Ladkontakte der Basis zu wischen oder zu reinigen.
- Entsorgen Sie alte Akkus sachgemäß. Unbenutzte Akkus sollten in einer geeigneten Recycling-Einrichtung entsorgt werden.
- Wenn der Roboter für eine längere Zeit nicht benutzt werden soll, laden Sie ihn voll auf, schalten ihn aus und lagern ihn an einem kühlen und trockenen Ort. Laden Sie den Roboter mindestens je 3 Monate auf, um eine Tiefentladung des Akkus zu vermeiden.
- Dieses Produkt enthält Akkus, die nur von qualifizierten Technikern oder dem Kundendienst ausgewechselt werden können.

Lasersicherheitsinformationen

- Der Lasersensor in diesem Produkt erfüllt die Norm IEC 60825-1: 2014 für Laserprodukte der Klasse 1. Bitte vermeiden Sie direkten Augenkontakt mit ihm während des Gebrauchs.

Hiermit bestätigt, Dreame Trading (Tianjin) Co., Ltd. dass das Funkgerät des Typs RLS6AD mit der Verordnung 2014/53/EU in Einklangsteht. Der vollständige Wortlaut der EU-Konformitätserklärung ist unter der folgenden Internetadresse abrufbar: <https://global.dreametech.com>
Ein detailliertes elektronisches Handbuch finden Sie unter <https://global.dreametech.com/pages/user-manuals-and-faqs>

Produktübersicht

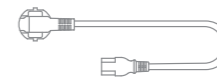
Zubehör



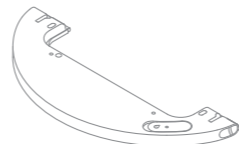
Reinigungswerkzeug



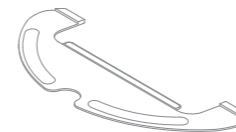
Seitenbürste



Netz Kabel



Wassertank



Wischmopp



Staubsaammelbeutel
(Ersatz)

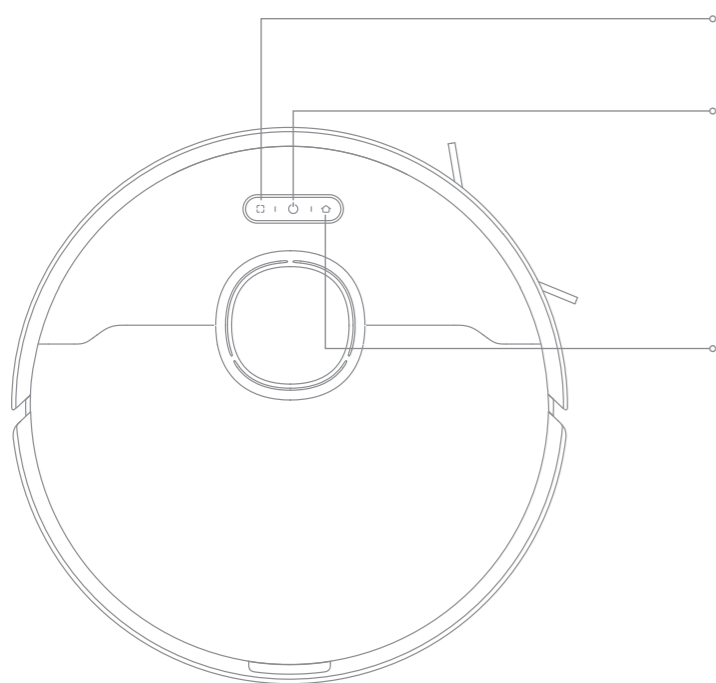


Auto-Entleerungsbasis

Produktübersicht

DE

Roboter



Taste für die Punktreinigung
 · Kurz drücken, um die Punktreinigung zu starten

Ein-/Aus- und Reinigungstaste
 · Halten Sie die Taste 3 Sekunden lang gedrückt, um das Gerät ein- oder auszuschalten
 · Kurz drücken zum Start der Reinigung nach dem Einschalten des Roboters

Schaltfläche zum Andocken
 · Drücken, um den Roboter zur Auto-Entleerungsbasis zurückzufahren
 · Halten Sie die Taste 3 Sekunden lang gedrückt, um die Kindsicherung zu deaktivieren

Statusanzeige
 · Weiß: Reinigung im Prozess oder Reinigung ist abgeschlossen
 · Blinkt Orange: Fehler
 · Blau: Kameraüberwachung aktiviert

Produktübersicht

DE

Roboter



Reset-Taste
 · Halten Sie 3 Sekunden lang gedrückt, um die ursprünglichen Einstellungen wiederherzustellen

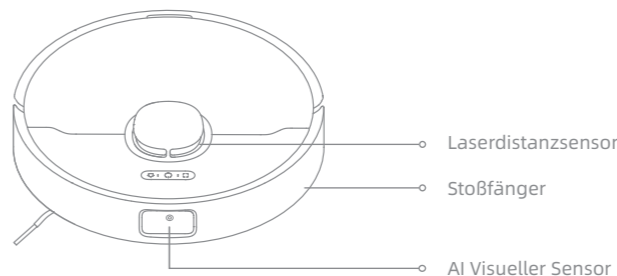
Abdeckung

WLAN-Anzeiger

Reinigungswerkzeug

Luftauslass/Lautsprecher

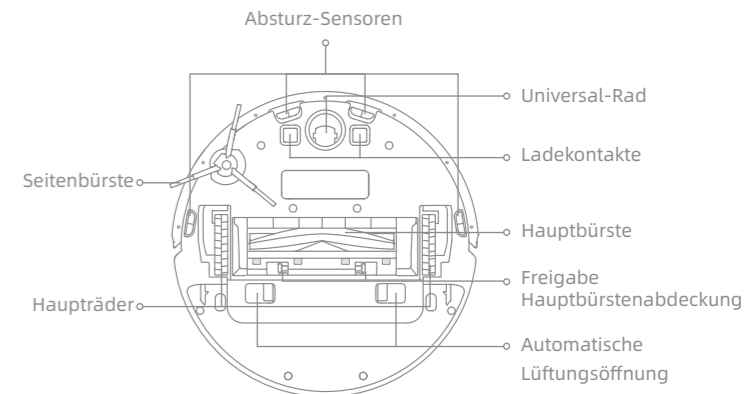
Robotersensor



Laserdistanzsensor

Stoßfänger

AI Visueller Sensor



Absturz-Sensoren

Universal-Rad

Ladekontakte

Hauptbürste

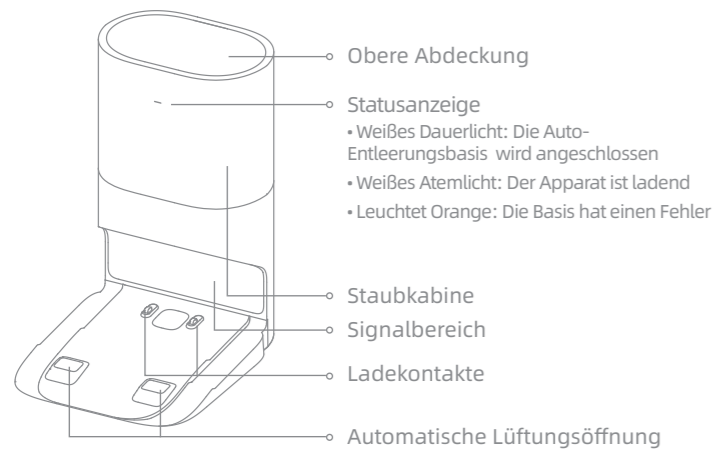
Freigabe Hauptbürstenabdeckung

Automatische Lüftungsöffnung

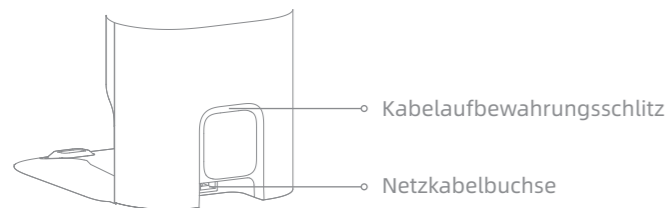
Produktübersicht

DE

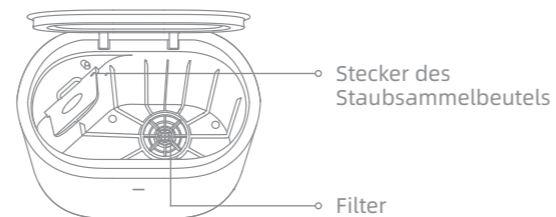
Auto-Entleerungsbasis



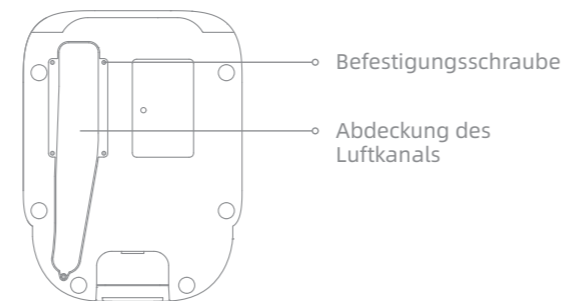
Rückseite



Öffnen Sie die obere Abdeckung



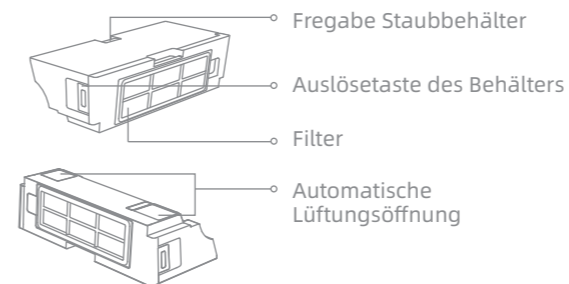
Unterseite



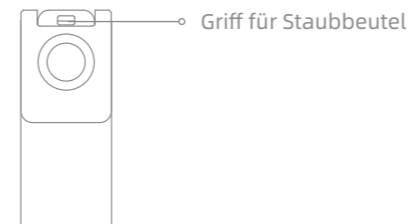
Produktübersicht

DE

Staubbehälter

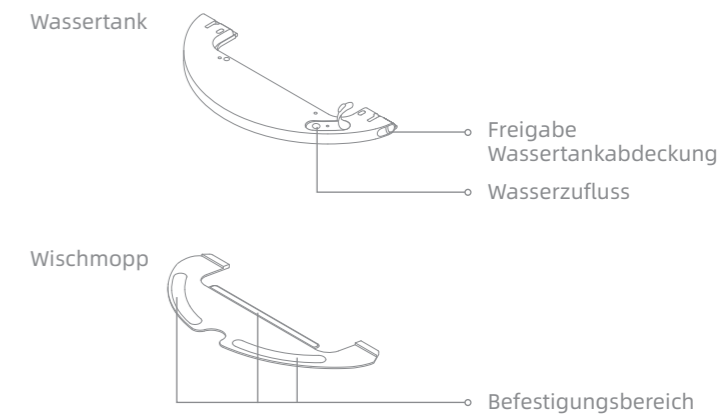


Staubsammelbeutel



Hinweis: Aufgrund der Werkseinstellung ist bereits ein neuer Staubsammelbeutel im Inneren installiert.

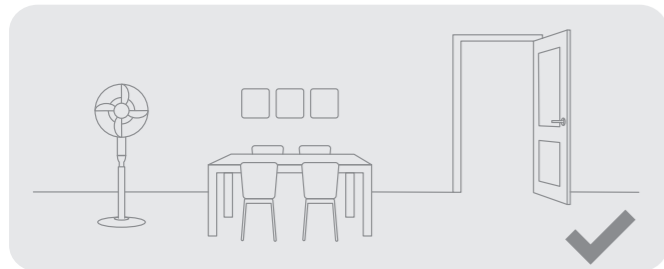
Wischmodul



Ihr Zuhause vorbereiten



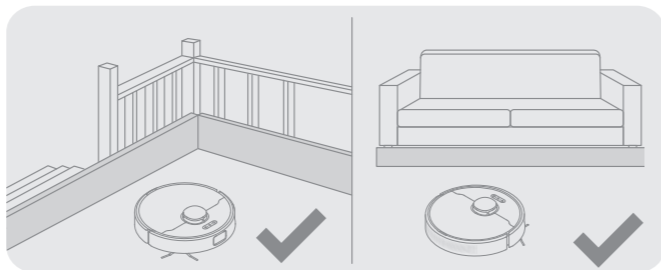
Ordnen Sie Gegenstände wie Netzkabel, Tücher, Hausschuhe und Spielzeug, um die Effizienz der Reinigung zu verbessern.



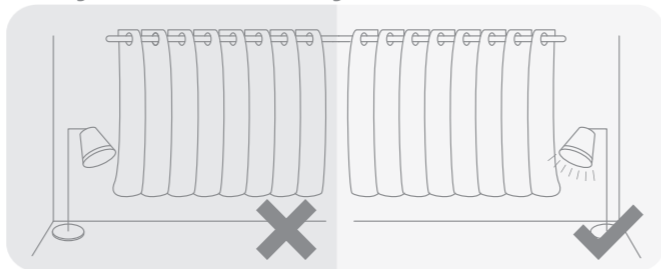
Öffnen Sie die Tür des zu reinigenden Raumes und stellen Sie die Möbel in die geeignete Position, um mehr Platz zu schaffen.

Hinweis:

- Wenn Sie den Roboter zum ersten Mal in Betrieb nehmen, folgen Sie ihm während der Reinigung, um mögliche Hindernisse rechtzeitig zu beseitigen.
- Um zu verhindern, dass der Roboter den zu reinigenden Bereich nicht erkennt, stellen Sie sich nicht vor den Roboter, vor eine Schwelle, oder die enge Stelle einer Flur hin.



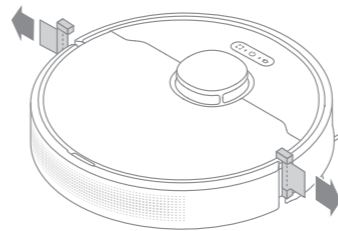
Montieren Sie vor der Reinigung die physische Barriere an den Kanten von Treppen und Möbeln, um dem Roboter ein reibungsloses Arbeiten zu ermöglichen.



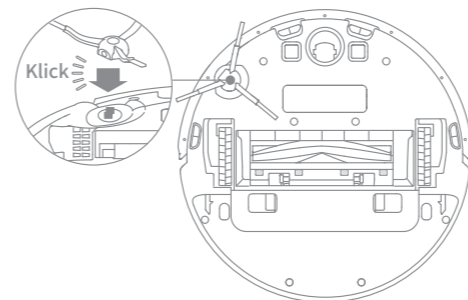
Mit dem visuellen KI-Sensor kann der Roboter Hindernisse wie Stromkabel, Schuhe und Socken besser erkennen und vermeiden, um den visuellen KI-Sensor auszunutzen. Stellen Sie sicher, dass alle zu reinigenden Bereiche gut beleuchtet sind.

Vor der Verwendung

1. Die Schutzstreifen entfernen



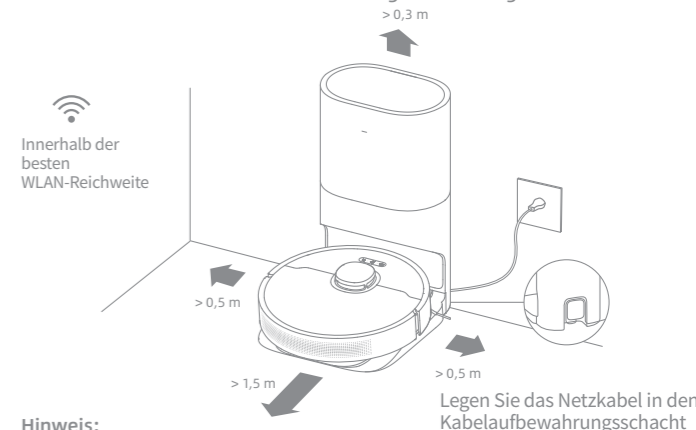
2. Seitenbürste installieren



Hinweis: Installieren Sie die Seitenbürste, bis sie einrastet.

3. Schließen Sie das Gerät an eine Steckdose an

Platzieren Sie die Basis auf ebenem Boden an die Wand und schließen Sie sie an eine Steckdose an. Platzieren Sie den Roboter zum Aufladen auf die Auto-Entleerungsbasis. Der Roboter schaltet sich automatisch ein und beginnt zu laden. Es wird empfohlen, das Gerät vor der ersten Verwendung vollständig aufzuladen.



Hinweis:

- Halten Sie den unmittelbaren Bereich 1,5 m vor der Basis und 0,5 m zu ihren beiden Seiten von Gegenständen frei.
- Stellen Sie sicher, dass keine Gegenstände den Signalisierungsbereich blockieren.

Beschreibung der Auto-Entleerungsbasis

Um der Apparat nach dem Aufräumen gut auf die Basis zurückzukehren, ist es empfohlen, dass er von der Basis startet. Bewegen Sie während des Aufräumens nicht die Basis.

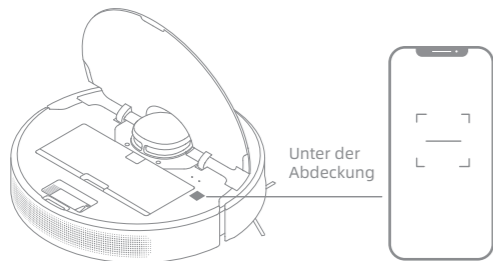
Nachdem die Auto-Entleerungsbasis installiert und an eine Stromversorgung angeschlossen wurde, kehrt der Roboter automatisch zum Aufladen in die Basis zurück. Die Basis leert den Staubbehälter bei Bedarf.

Verbinden mit Dreamehome App

Dieses Produkt funktioniert mit der Dreamehome App, mit der Sie Ihr Gerät steuern können.

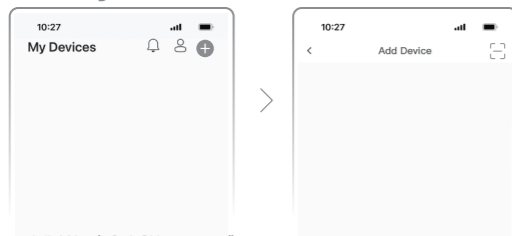
1. Laden Sie die Dreamehome App herunter

Scannen Sie den QR-Code auf dem Roboter oder suchen Sie im App Store nach "Dreamehome" um die App nach Ihren Bedürfnissen herunterzuladen und zu installieren.



2. Fügen Sie das Gerät hinzu

Öffnen Sie das Dreamehome, tippen Sie oben rechts auf "+" und scannen Sie den obigen QR-Code erneut, um "DreameBot D10s Plus" hinzuzufügen. Bitte folgen Sie den Anweisungen, um die WLAN-Verbindung abzuschließen.

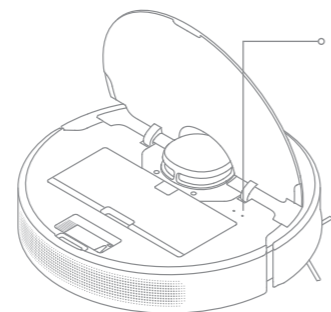


Hinweis:

- Es wird nur WLAN mit 2,4 GHz unterstützt.
- Die App-Software wird aktualisiert, die tatsächliche Bedienung kann sich von den Angaben in diesem Handbuch abweichen. Bitte befolgen Sie die Anweisungen basierend auf der aktuellen App-Version.

3. WLAN zurücksetzen

Gleichzeitig drücken und halten Sie die und Taste bis Sie eine Sprachmeldung hören „Warten auf Netzwerkkonfiguration“. Sobald die WLAN-Anzeige langsam blinkt, wurde das WLAN erfolgreich zurückgesetzt.



WLAN-Anzeiger

- Langsam blinkend: Wartet auf Verbindung
- Schnell blinkend: Verbindung wird hergestellt
- Ein: Verbunden

Hinweis: Wenn Ihr Telefon keine erfolgreiche Verbindung mit dem Roboter herstellen kann, setzen Sie das WLAN zurück und fügen Sie das Gerät erneut hinzu.

Gebrauchsanleitung

1. Schnelle Kartenerstellung

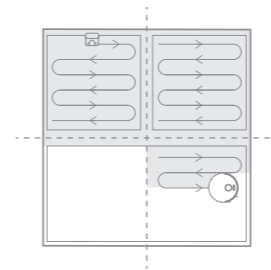
Nachdem Sie das Netzwerk zum ersten Mal konfiguriert haben, folgen Sie den Anweisungen in der App, um schnell eine Karte zu erstellen, wobei der Roboter die Kartierung ohne Reinigung startet. Wenn der Roboter zur Basis zurückkehrt, ist der Mapping-Prozess abgeschlossen und die Karte wird automatisch gespeichert.

2. Einschalten/Ausschalten

Halten Sie die Taste 3 Sekunden lang gedrückt, um den Roboter einzuschalten, und die Betriebsanzeige leuchtet dauerhaft. Stellen Sie den Roboter auf die Basisstation, und der Roboter schaltet sich automatisch ein und beginnt mit dem Aufladen. Um den Roboter auszuschalten, nehmen Sie ihn von der Basisstation, und halten Sie die Taste 3 Sekunden lang gedrückt.

3. Mit der Reinigung beginnen

Drücken Sie die Taste kurz, um die Reinigung nach dem Einschalten des Roboters zu starten. Dann wird der Roboter eine Route genau planen, methodisch entlang der Kanten und Wände reinigen und schließlich jeden Raum in einem S-förmigen Muster gründlich reinigen.



4. Pause / Schlaf

Wenn der Roboter läuft, drücken Sie eine beliebige Taste, um ihn zu pausieren. Wenn der Roboter länger als 10 Minuten pausiert wird, wechselt er automatisch in den Schlafmodus. Alle Anzeigen am Roboter werden ausgeschaltet. Drücken Sie eine beliebige Taste am Roboter oder verwenden Sie die App, um den Roboter aufzuwecken.

Hinweis:

- Wenn das Gerät länger als 12 Stunden im Ruhemodus ist, schaltet es sich automatisch aus.
- Wenn der Roboter sich im Pause-Modus befindet, wird die aktuelle Reinigungsaufgabe beendet, wenn Sie ihn auf die Auto-Entleerungsbasis setzen.

5. Nicht stören (DND) Modus

Wenn der Roboter auf den DND-Modus (Do Not Disturb) eingestellt ist, führt der Roboter die Reinigungsaufgabe nicht mehr durch und die Betriebsanzeige erlischt. Der DND-Modus ist werkseitig standardmäßig deaktiviert. Sie können die App verwenden, um den DND-Modus zu aktivieren oder den DND-Zeitraum zu ändern. Der DND-Zeitraum ist standardmäßig 22:00-8:00.

Hinweis:

- Die geplanten Reinigungsaufgaben werden während des DND-Zeitraums pünktlich durchgeführt.
- Der Roboter wird die Reinigung fortsetzen, wo er nach Ablauf der DND-Periode aufgehört hat.

6. Punktreinigung

Wenn der Roboter in Bereitschaft ist, drücken Sie kurz die Taste , um den Spot-Reinigungsmodus zu aktivieren. In diesem Modus reinigt der Roboter einen quadratischen Bereich von 1,5 x 1,5 Metern um ihn herum und kehrt zu seinem Ausgangspunkt zurück, sobald die Reinigung bestimmter Bereiche abgeschlossen ist.

Gebrauchsanleitung

DE

7. Geplantes Reinigen

Sie können die Reinigungszeit in der Dreamehome-App planen. Der Roboter beginnt automatisch mit der Reinigung zum angegebenen Zeitpunkt und kehrt dann zur Basis zurück, um sich aufzuladen, wenn die Reinigung abgeschlossen ist.

8. Weitere APP-Funktionen

Folgen Sie den Anweisungen auf der APP-Schnittstelle, um weitere Funktionen zu nutzen. Die App-Version könnte aktualisiert worden sein. Bitte folgen Sie den Anweisungen entsprechend der aktuellen App-Version.

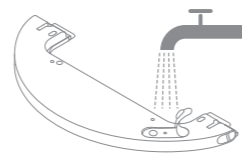
9. Verwenden der Wischfunktion

Zur Erzielung eines besseren Reinigungseffekts, wird empfohlen, alle Böden mindestens dreimal vor der ersten Mopp-Reinigung zu saugen.

1) Befeuchten Sie den Wischer und wringen Sie überschüssiges Wasser aus. Installieren Sie den Wischmopp wie im Diagramm gezeigt.



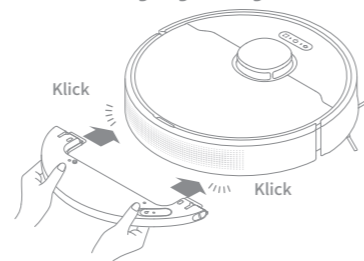
2) Füllen Sie den Tank mit Wasser.



Hinweis:

- Verwenden Sie keine Reinigungs- oder Desinfektionsmittel.
- Füllen Sie nicht mit heißem Wasser, das Verzerrung des Wassertanks verursachen kann.

3) Richten Sie das Wischmodul wie durch den Pfeil angezeigt aus, und schieben Sie es dann in die Rückseite des Roboters, bis es einrastet. Drücken Sie die Taste oder verwenden Sie die App Dreamehome, um mit der Reinigung zu beginnen.



Hinweis:

- Die Verwendung der Wischfunktion auf Teppichen wird nicht empfohlen.
- Verwenden Sie die App, um den Wasserfluss wie benötigt einzustellen.

Regelmäßige Wartung

DE

Teile

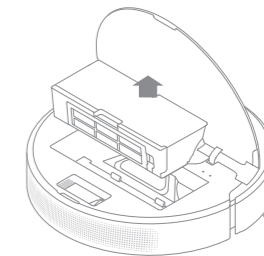
Es wird empfohlen, sich für die routinemäßige Wartung auf die folgende Tabelle zu beziehen, um den Roboter in gutem Zustand zu halten.

Teil	Häufigkeit der Wartung	Häufigkeit des Austausches
Wischer	Nach jedem Gebrauch	Alle 3 bis 6 Monate
Hauptbürste	Einmal alle 2 Wochen	Alle 6 bis 12 Monate
Staubbehälterfilter		Alle 3 bis 6 Monate
Seitenbürste	Einmal im Monat	/
Der Signalisierungsbereich der Auto-Entleerungsbasis		
Ladekontakte		
Automatische Lüftungsöffnung		
Universal-Rad		
Laserdistanzsensor		
AI Visueller Sensor		
Absturz-Sensoren		
Wassertank	Nach Bedarf reinigen	/
Staubbehälter	/	8-10 Wochen
Staubsammelbeutel		

Hinweis: Die Häufigkeit des Austauschs hängt von der Nutzung des Roboters ab. Wenn aufgrund besonderer Umstände eine Störung auftritt, sollten die Teile ausgetauscht werden.

Staubbehälter und Filter reinigen

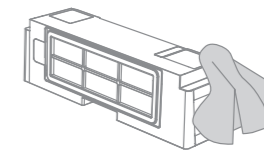
1. Öffnen Sie die Roboterabdeckung und drücken Sie auf den Staubbehälterklipp, um den Staubbehälter zu entfernen.



2. Öffnen Sie die Behälterabdeckung und leeren Sie den Behälter wie in der Abbildung gezeigt.

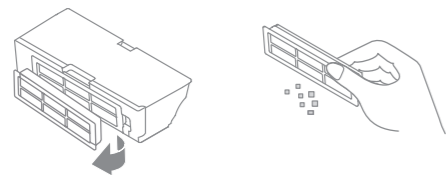


3. Automatische Lüftungsöffnung reinigen.



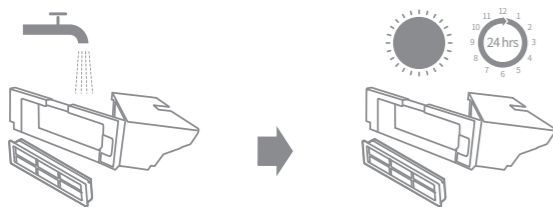
Regelmäßige Wartung

4. Nehmen Sie den Filter heraus und klopfen Sie vorsichtig auf seinen Korb.



Hinweis: Versuchen Sie nicht, den Filter mit einer Bürste, einem Finger oder scharfen Gegenständen zu reinigen, um Schäden zu vermeiden.

5. Spülen Sie den Staubbehälter und den Filter mit Wasser und trocknen Sie sie vollständig vor dem Wiedereinbau.

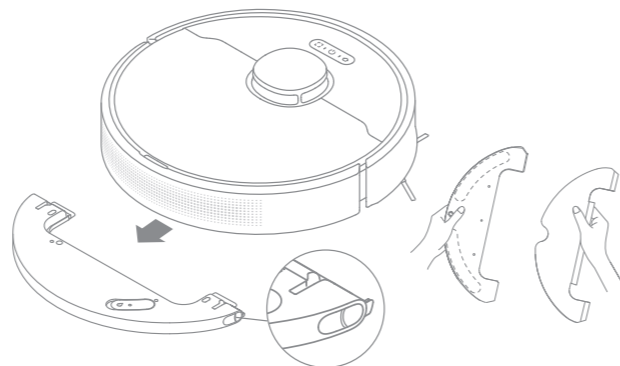


Hinweis:

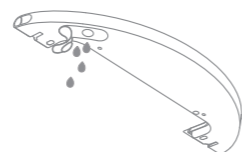
- Spülen Sie den Staubbehälter und den Filter nur mit sauberem Wasser aus. Verwenden Sie keine Reinigungsmittel.
- Verwenden Sie den Staubbehälter und den Filter nur, wenn sie vollständig trocken sind.

Reinigen Sie das Wischmodul

1. Schieben Sie die beiden Freigabeklammern an der Seite des Wassertanks, um den Moppaufsatz zu entfernen, und ziehen Sie dann den Wischmopp vom Moppaufsatz ab.



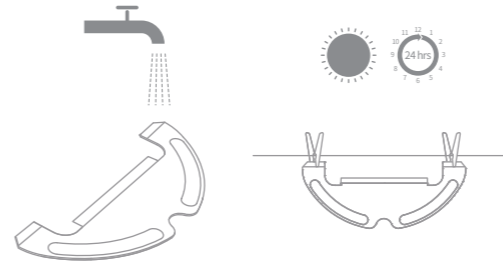
2. Entleeren Sie das Restwasser aus dem Wassertank und lassen Sie ihn an der Luft trocknen.



Hinweis: Setzen Sie den Tank keiner direkten Sonneneinstrahlung aus.

Regelmäßige Wartung

3. Die Wischlappen ausschließlich mit Wasser reinigen und vor Reinstallieren an der Luft trocknen lassen.



Hinweis:

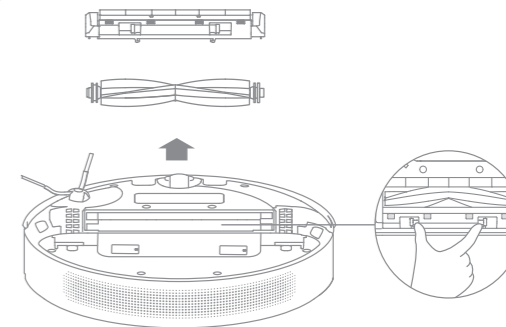
- Nehmen Sie den Wischlappen vor der Reinigung aus dem Wischmodul heraus und stellen Sie sicher, dass das Schmutzwasser nicht in den Wasserauslass zurückfließt, um eine Verstopfung zu vermeiden.

4. Falls eine langsamer Wasserdurchfluss auftritt bzw. das Wasservolumen nicht gut verteilt ist, reinigen Sie das Luftloch in der Abdeckung des Wassertanks.

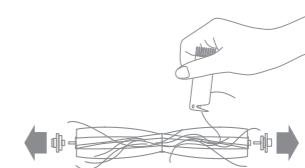


Bürste reinigen

1. Drücken Sie den Bürstenschutzclip nach innen, um den Bürstenschutz zu entfernen und die Bürste aus dem Roboter zu heben.



2. Ziehen Sie den Bürstendeckel wie im Diagramm gezeigt heraus. Verwenden Sie das mitgelieferte Reinigungswerkzeug, um die in der Bürste verwickelten Haare zu entfernen.

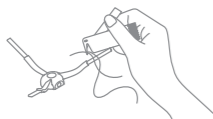


Hinweis: Ziehen Sie die in der Bürste verhedderten Haare nicht übermäßig heraus. Andernfalls kann die Hauptbürste beschädigt werden.

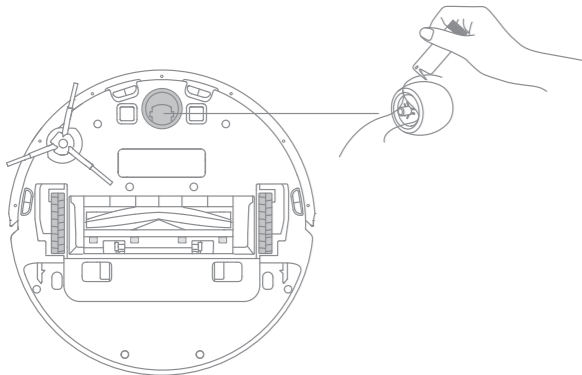
Regelmäßige Wartung

Seitenbürste reinigen

Ziehen Sie die Seitenbürste heraus und entfernen Sie mit dem mitgelieferten Reinigungswerkzeug alle in der Bürste verwickelten Haare.



Das Haupttrand und das Universal-Rad reinigen

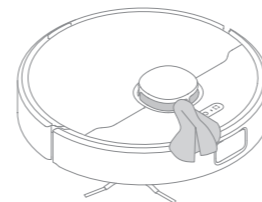


Hinweis: Verwenden Sie ein Werkzeug, z. B. einen kleinen Schraubendreher, um die Achse und den Reifen des Universalrads zu trennen.

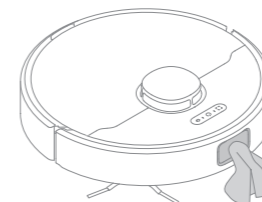
Regelmäßige Wartung

Hinweis: Bitte verwenden Sie zur Reinigung ein trockenes Geschirrtuch, da der Roboter und das innere der Auto-Entleerungsbasis empfindliche Komponenten enthalten. Verwenden Sie keine nassen Spültücher, um durch Wasser verursachte Schäden zu vermeiden.

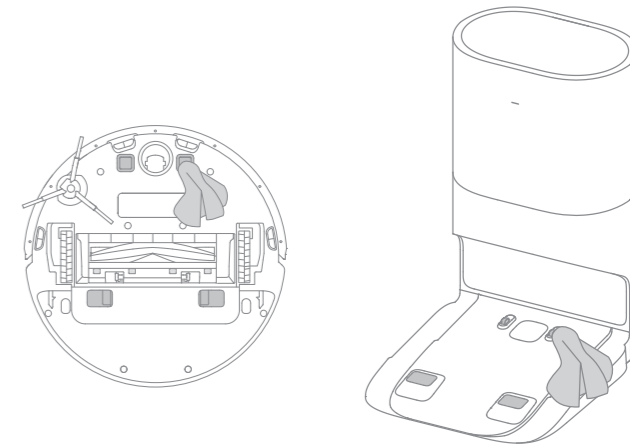
Reinigen Sie den LDS Lasersensor



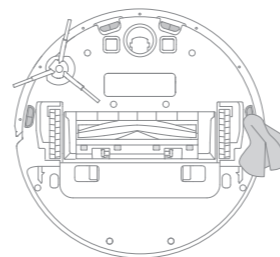
Reinigen Sie den AI Visuellen Sensor



Reinigen Sie die Ladkontakte und Automatische Lüftungsöffnung



Reinigen Sie die Abstürzesensor



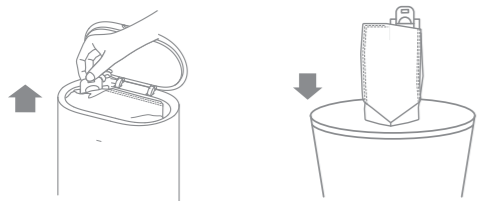
Regelmäßige Wartung

DE

Wechseln Sie den Staubsammelbeutel

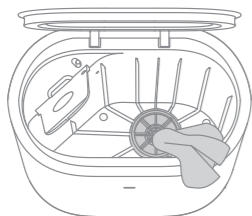
Ersetzen Sie den Staubbeutel gemäß der Statusanzeige (orange leuchtet) und den Anweisungen der App, wenn er voll ist.

1. Werfen Sie den Staubbeutel weg.

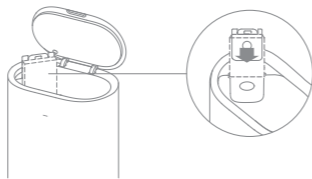


Hinweis: wenn Sie den Staubbeutel ausnehmen, machen Sie zuerst ihn zu, um Staub nicht auszuströmen.

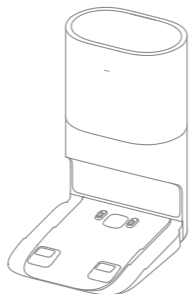
2. Räumen Sie den Filter auf.



3. Installieren Sie einen neuen Staubbeutel.



4. Schließen Sie die obere Abdeckung der Auto-Entleerungsbasis.



Hinweis: Schließen Sie die Auto-Entleerungsbasis nicht gewaltsam, wenn sich die obere Abdeckung der Auto-Entleerungsbasis nicht schließen lässt und der Staubsammelbeutel nicht installiert ist.

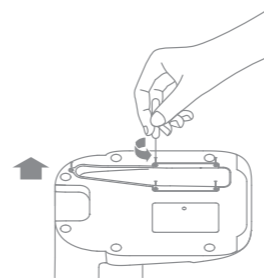
Regelmäßige Wartung

DE

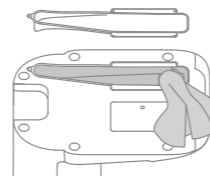
Reinigen des Luftkanals

Wenn der Luftkanal verstopft ist, räumen Sie ihn nach folgenden Schritten auf.

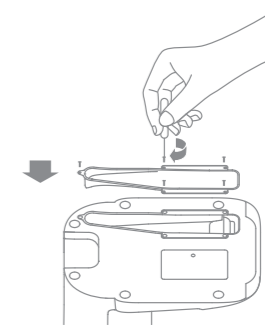
1. Schrauben Sie die Schraube des Deckels vom Luftkanal ab und nehmen Sie den Deckel ab.




2. Prüfen Sie, ob es Blockade gibt. Wenn ja, räumen Sie auf.



3. Installieren Sie nach dem Bild den Deckel zurück.



Roboter neu starten

Wenn der Roboter nicht mehr reagiert oder nicht ausgeschaltet werden kann, halten Sie die Taste  10 Sekunden lang gedrückt, um sie gewaltsam auszuschalten. Halten Sie dann die Taste  3 Sekunden lang gedrückt, um den Roboter einzuschalten.

Batterie

Der Roboter enthält einen Hochleistungs-Lithium-Ionen-Akku. Bitte stellen Sie sicher, dass dieser bei täglicher Nutzung gut geladen ist, um die optimale Akkuleistung beizubehalten. Wenn der Roboter längere Zeit nicht benutzt wird, schalten Sie ihn aus und stellen Sie ihn weg. Um Schäden durch Tiefentladung zu vermeiden, sollte der Roboter mindestens einmal je drei Monate aufgeladen werden.

Problemtyp	Lösung
Roboter lässt sich nicht einschalten	Wenn die Batterie ist knapp leer, laden Sie zuerst den Roboter auf der Basis. Probieren Sie danach noch einmal. Die Temperatur des Akkus ist zu niedrig oder zu hoch. Es wird empfohlen, das Gerät bei einer Temperatur zwischen 0°C und 40°C in Betrieb zu nehmen.
Roboter lädt sich nicht auf	Die Auto-Entleerungsbasis ist nicht angeschlossen. Prüfen Sie bitte, ob die beiden Enden der Kabel gut eingesteckt worden sind. Schlechter Kontakt. Räumen Sie bitte die Aufladung zwischen der Basis und dem Roboter.
Der Apparat kann nicht auf die Basis zurückkehren.	Es gibt zu viel Hindernisse um der Basis. Setzen Sie die Basis ins Offene. Bitte reinigen Sie den Signalisierungsbereich der Auto-Entleerungsbasis. Das Bewegen des Roboters kann dazu führen, dass er sich neu positioniert oder seine Umgebung neu abbildet. Wenn der Roboter zu weit von der Auto-Entleerungsbasis entfernt ist, kann er möglicherweise nicht automatisch von selbst zurückkehren; in diesem Fall müssen Sie den Roboter manuell auf die Basis setzen.
Roboter arbeitet nicht einwandfrei	Schalten Sie den Roboter aus und dann wieder an.
Roboter gibt ein merkwürdiges Geräusch ab	Ein Fremdkörper könnte sich in der Hauptbürste, Seitenbürste oder einem der Räder verfangen haben. Schalten Sie den Roboter aus und entfernen Sie eventuell vorhandenen Schmutz.
Der Roboter reinigt nicht mehr wirksam, oder er hinterlässt Staub	Der Staubbehälter ist voll. Bitte reinigen Sie den Staubbehälter und die Staubaufnahme. Der Filter ist verstopft. Bitte reinigen Sie ihn. Ein Fremdkörper hat sich in der Hauptbürste verfangen. Bitte reinigen Sie diese.

Problemtyp	Lösung
Roboter kann nicht mit dem WLAN verbinden	Es besteht ein Problem mit der WLAN-Verbindung. Setzen Sie das WLAN zurück und laden Sie die neueste Version der Dreamehome App herunter. Versuchen Sie dann erneut, eine Verbindung herzustellen. Die Standortberechtigung ist nicht aktiviert. Bitte stellen Sie sicher, dass die Standortberechtigung auf der Dreamehome App geöffnet ist. Das WLAN-Signal ist schwach. Stellen Sie sicher, dass der Roboter sich in einem Bereich mit gutem WLAN-Empfang befindet. WLAN mit 5 GHz wird nicht unterstützt. Bitte stellen Sie sicher, dass Ihr Roboter mit einem 2,4 GHz WLAN verbunden ist. Der Benutzername oder das Kennwort des WLAN ist falsch. Bitte stellen Sie die korrekte Eingabe des Benutzernamens und Kennworts sicher.
Der Roboter führt die geplante Reinigung nicht aus	Der Akku des Roboters hat einen niedrigen Akkuladestand. Die planmäßige Reinigung wird nur dann begonnen, wenn der Roboter einen Ladestand von mindestens 15 % hat.
Verbraucht es Strom, den Roboter auf der Auto-Entleerungsbasis zu lassen, wenn er bereits voll geladen ist?	Wenn Sie den Roboter auf der Auto-Entleerungsbasis belassen, nachdem er vollständig aufgeladen wurde, verbraucht er nur sehr wenig Strom und trägt dazu bei, die optimale Akkuleistung zu erhalten.
Aus dem Wisch-Modul kommt kein oder nur sehr wenig Wasser heraus	Vergewissern Sie sich, dass der Wassertank mit Wasser gefüllt ist, und reinigen Sie das Wischer-Pad, falls erforderlich. Reinigen Sie den Mopp, wenn er schmutzig wird. Vergewissern Sie sich, dass der Wischlappen entsprechend Gebrauchsanleitung korrekt angebracht ist. Das Luftloch auf dem Wassertank reinigen.
Der Roboter nimmt die Reinigung nach dem Aufladen nicht wieder auf	Vergewissern Sie sich, dass der Roboter sich nicht im Nicht-Stören-Modus befindet, denn dieser verhindert eine Fortsetzung der Reinigung. Der Roboter nimmt die Reinigung nicht wieder auf, wenn er manuell aufgeladen oder auf die Auto-Entleerungsbasis gestellt wird.

Problemtyp	Lösung
Roboter kehrt zur Auto-Entleerungsbasis zurück, ohne Staubsammelaufgaben durchzuführen	Der Modus "Nicht stören" verhindert, dass der Roboter automatisch Staubsammelaufgaben durchführt.
Der Staubsammelbeutel ist voll	Prüfen Sie, ob der Staubsammelbeutel voll ist. Wenn ja, ersetzen Sie ihn durch einen neuen. Es wird empfohlen, den Beutel alle 8-10 Wochen zu ersetzen. Wenn nicht, prüfen Sie, ob die Staubaufnahme oder der Luftkanal an der Unterseite der Basis verstopft ist. Entfernen Sie jede Verstopfung vor der Verwendung.
Die Staubsammeldauer kann manchmal inakzeptabel lang sein	Wenn der Roboter über einen längeren Zeitraum Staubsammelaufgaben durchgeführt hat oder wenn der Luftkanal nicht reibungslos funktioniert, wird die Staubsammeldauer verlängert, um eine Verstopfung zu verhindern.
Die obere Abdeckung der Basis lässt sich nicht schließen	Prüfen Sie, ob der Staubbeutel installiert wird. Wenn nein, installieren Sie einen.

Für weitere Dienstleistungen kontaktieren Sie uns bitte über aftersales@dreame.tech

Webseite: <https://global.dreametech.com>

Spezifikationen

Roboter

Modell	RLS6AD
Ladedauer	Ca. 6 Stunden
Nennspannung	14,4 V \approx
Bemessungsleistung	46 W
Betriebsfrequenz	2400-2483,5 MHz
Maximale Ausgangsleistung	< 20 dBm

Auto-Entleerungsbasis

Modell	RCS2
Nenningang	220-240 V \sim 50-60 Hz
Nennausgang	19,8 V \approx 1 A
Bemessungsleistung	800 W

Unter normalen Einsatzbedingungen muss dieses Gerät einen Abstand von mindestens 20 cm zwischen der Antenne und dem Körper des Benutzers einhalten.

Entsorgung und Entfernung von Batterien

Die eingebaute Lithium-Ionen-Batterie enthält umweltgefährdende Substanzen. Stellen Sie vor der Entsorgung der Batterie sicher, dass die Batterie von qualifizierten Technikern entfernt und in einer geeigneten Recyclinganlage entsorgt wird.

- die Batterie muss vor dem Verschrotten aus dem Gerät entfernt werden;
- das Gerät muss beim Ausbau der Batterie vom Netz getrennt werden;
- die Batterie muss sicher entsorgt werden.

ACHTUNG:

- Bevor Sie den Akku entfernen, trennen Sie die Stromversorgung und lassen Sie den Akku komplett leer laufen.
- Nicht benötigte Batterien sollten in einer geeigneten Recyclinganlage entsorgt werden.
- Lassen Sie den Akku nicht in einer Umgebung mit extrem hohen Temperaturen, um Explosionsrisiken zu vermeiden.
- Unter missbräuchlicher Verwendung kann Flüssigkeit aus der Batterie ausgestoßen werden. Wenn Sie aus Versehen anfassen, spülen Sie mit Wasser und suchen Sie medizinische Hilfe.

Informations DEEE



Alle mit diesem Symbol gekennzeichneten Produkte sind Elektroschrott und Elektrogeräte (WEEE entsprechend EU-Richtlinie 2012/19/EU) und dürfen nicht mit unsortiertem Haushaltsmüll vermischt werden. Schützen Sie stattdessen Ihre Mitmenschen und die Umwelt, indem Sie Ihre zu entsorgenden Geräte an eine dafür vorgesehene, von der Regierung oder einer lokalen Behörde eingerichtete Sammelstelle zum Recycling von Elektroschrott und Elektrogeräten bringen. Eine ordnungsgemäße Entsorgung und Recycling helfen, negative Auswirkungen auf die Gesundheit von Umwelt und Menschen zu vermeiden. Wenden Sie sich bitte an den Installateur oder lokale Behörden, um Informationen zum Standort und den allgemeinen Geschäftsbedingungen solcher Sammelstellen zu erhalten.

Anleitung zum Entfernen

1. Drehen Sie den Roboter um, entfernen Sie mit einem geeigneten Werkzeug die Schrauben auf der Rückseite des Roboters und entfernen Sie dann die Abdeckung.
2. Ziehen Sie die Klemmen zwischen der Batterie und der Leiterplatte ab, um die Batterie zu entfernen.

Entsorgung von Elektro- und Elektronikgeräten



Die durchgestrichene Mülltonne bedeutet, dass Sie gesetzlich verpflichtet sind, diese Geräte einer vom unsortierten Siedlungsabfall getrennten Erfassung zuzuführen. Die Entsorgung über die Restmülltonne oder die gelbe Tonne ist untersagt. Enthalten die Produkte Batterien oder Akkus, die nicht fest verbaut sind, müssen diese vor der Entsorgung entnommen und getrennt als Batterie entsorgt werden.

Möglichkeiten der Rückgabe von Altgeräten

Besitzer von Altgeräten können diese im Rahmen der durch öffentlich-rechtlichen Entsorgungsträger eingerichteten und zur Verfügung stehenden Möglichkeiten der Rückgabe oder Sammlung von Altgeräten abgeben, damit eine ordnungsgemäße Entsorgung der Altgeräte sichergestellt ist. Unter dem folgenden Link besteht die Möglichkeit, sich ein Onlineverzeichnis der Sammel- und Rücknahmestellen anzuzeigen zu lassen: <https://www.ear-system.de/ear-verzeichnis/sammel-und-ruecknahmestellen>

Datenschutz

Wir weisen alle Endnutzer von Elektro- und Elektronikaltgeräten darauf hin, dass Sie für das Löschen personenbezogener Daten auf den zu entsorgenden Altgeräten selbst verantwortlich sind.

Informations sur la sécurité

FR

Pour éviter tout risque de choc électrique, d'incendie ou de blessure causé par une utilisation incorrecte de l'appareil, veuillez lire attentivement le manuel d'utilisation avant d'utiliser l'appareil et le conserver pour pouvoir vous y référer ultérieurement.

Restrictions d'utilisation

- Ce produit ne doit pas être utilisé par des enfants de moins de 8 ans ni par des personnes présentant un handicap moteur, sensoriel ou mental, ou ayant une expérience ou des connaissances limitées, sans la supervision d'un parent ou d'un tuteur afin de garantir un fonctionnement sûr et d'éviter tout risque. Le nettoyage et l'entretien ne doivent pas être effectués par des enfants sans surveillance.
- Les enfants ne doivent pas jouer avec ce produit. Pendant le nettoyage, assurez-vous que les enfants et les animaux de compagnie sont maintenus à une distance de sécurité du robot aspirateur.
- Si le cordon d'alimentation est endommagé ou rompu, cessez immédiatement de l'utiliser et contactez le service après-vente.
- Ce produit est uniquement destiné au nettoyage des sols dans un environnement domestique. Ne l'utilisez pas à l'extérieur, sur des surfaces autres que des sols ou dans un environnement commercial ou industriel.
- N'utilisez pas le robot dans une zone située au-dessus du niveau du sol sans barrière de protection.
- Ne placez pas le robot à l'envers. N'utilisez pas le couvercle du LDS, le couvercle du robot ou le pare-chocs comme poignée pour déplacer le robot.
- N'utilisez pas le robot dans des environnements où la température ambiante est supérieure à 40° C ou inférieure à 0° C, ni sur un sol avec des liquides ou des substances collantes.
- Retirez tous les câbles au sol avant d'utiliser le robot pour éviter qu'il ne les entraîne dedans pendant le nettoyage.
- Retirez tous les objets fragiles ou de petite taille au sol afin d'éviter que le robot ne les percute ou ne les endommage.

Informations sur la sécurité

Restrictions d'utilisation

- Pour éviter d'endommager l'appareil ou de le traîner, débarrassez le sol de tout objet mobile et retirez les câbles ou les cordons d'alimentation qui se trouvent sur le trajet de nettoyage avant d'utiliser l'appareil.
 - Maintenez vos cheveux, vos doigts et les autres parties de votre corps éloignés de l'orifice d'aspiration du robot.
 - Conservez l'outil de nettoyage de brosse hors de la portée des enfants.
 - Ne mettez pas d'enfants, d'animaux ou d'objets sur le robot, qu'il soit à l'arrêt ou en mouvement.
 - N'utilisez pas le robot pour nettoyer des objets brûlants. N'utilisez pas le robot pour ramasser des liquides inflammables ou combustibles, des gaz corrosifs ou des acides ou solvants non dilués.
 - N'aspirez pas d'objets durs ou tranchants. N'utilisez pas l'appareil pour ramasser des objets tels que des pierres, de gros morceaux de papier ou tout autre élément susceptible d'obstruer l'appareil.
 - Assurez-vous que le robot est éteint et que la base auto-videuse est débranchée avant d'effectuer le nettoyage ou l'entretien.
 - N'utilisez pas de chiffon humide pour essuyer ou de liquide pour rincer le robot et la base. Les pièces lavables doivent être totalement séchées avant de les installer et de les utiliser.
 - Dans la mesure du possible, assurez-vous que le robot est éteint lorsque vous le transportez et rangez-le dans son emballage d'origine.
 - Veuillez utiliser ce produit conformément aux instructions du Mode d'emploi. Les utilisateurs sont responsables des pertes ou dommages résultant d'une mauvaise utilisation de ce produit.
-
- N'utilisez pas de batterie, de chargeur ou de base auto-videuse tiers. N'utiliser que l'unité d'approvisionnement RCS2.

FR

Batteries et charge

Informations sur la sécurité

Batteries et charge

- N'essayez pas de démonter, réparer ou modifier vous-même la batterie ou la base auto-vidieuse.
- Ne placez jamais la base auto-vidieuse près d'une source de chaleur.
- N'utilisez pas de chiffon humide, ni vos mains mouillées, pour essuyer ou nettoyer les contacts de la base auto-vidieuse.
- Ne jetez pas vos batteries usagées de façon incorrecte. Les batteries inutilisées doivent être jetées aux centres de recyclage appropriés.
- Si vous ne prévoyez pas d'utiliser le robot pendant une période prolongée, chargez-le complètement, éteignez-le, puis entreposez-le dans un endroit frais et sec. Rechargez le robot au moins une fois tous les 3 mois pour éviter un déchargement excessif de la batterie.
- Ce produit contient des batteries qui ne peuvent être remplacées que par des techniciens qualifiés ou par le service après-vente.

Informations sur la sécurité liée à l'utilisation du laser

- Le capteur laser de ce produit est conforme à la norme CEI 60825-1 : 2014 relative aux produits laser de classe 1. Veuillez éviter tout contact direct avec les yeux pendant l'utilisation.

Présentation du produit

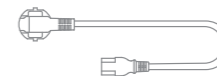
Accessoires



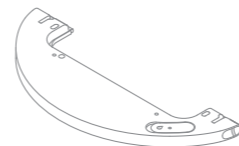
Outil de nettoyage



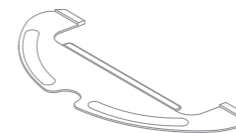
Brosse latérale



Câble d'alimentation



Réservoir d'eau



Serpillère



Sac de collecte des poussières (rechange)

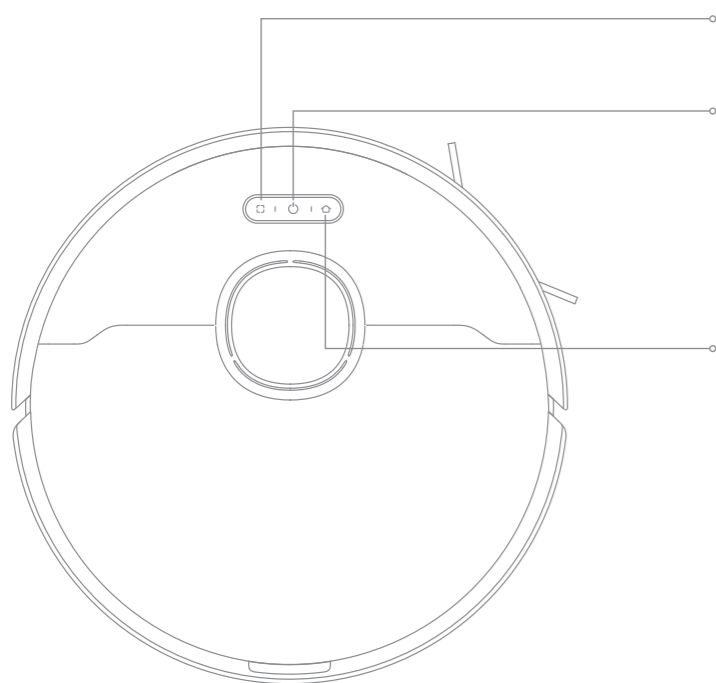


Base auto-vidieuse

Présentation du produit

FR

Robot



Nettoyage local
· Appuyez brièvement pour commencer le nettoyage local

Bouton d'alimentation/nettoyage
· Appuyez sur cette touche pendant 3 secondes pour allumer ou éteindre le robot
· Appuyez brièvement sur cette touche pour lancer le nettoyage après la mise en marche du robot

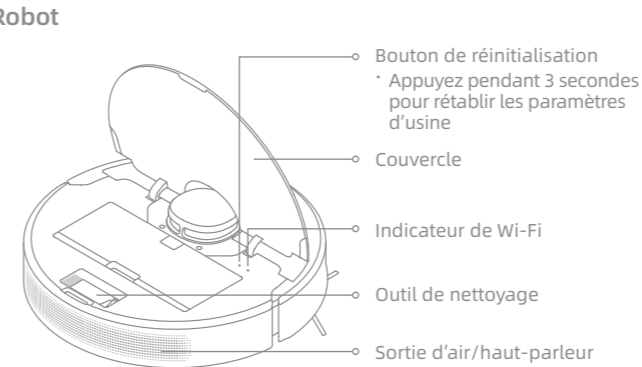
Bouton d'accueil
· Appuyer pour renvoyer le robot au base auto-videuse
· Appuyez et maintenez enfoncé pendant 3 secondes pour désactiver la sécurité enfant

Indicateur d'état
· Blanc : nettoyage en cours ou terminé
· Clignotant orange : erreur
· Bleu : Surveillance de la caméra activée

Présentation du produit

FR

Robot



Bouton de réinitialisation
· Appuyez pendant 3 secondes pour rétablir les paramètres d'usine

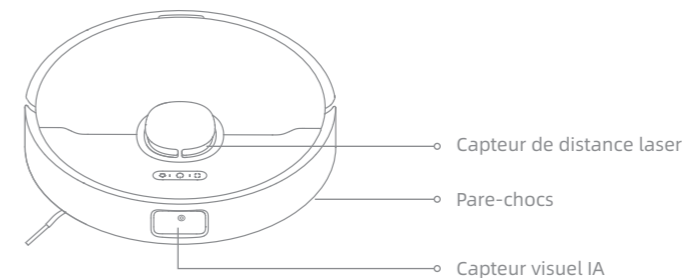
Couvercle

Indicateur de Wi-Fi

Outil de nettoyage

Sortie d'air/haut-parleur

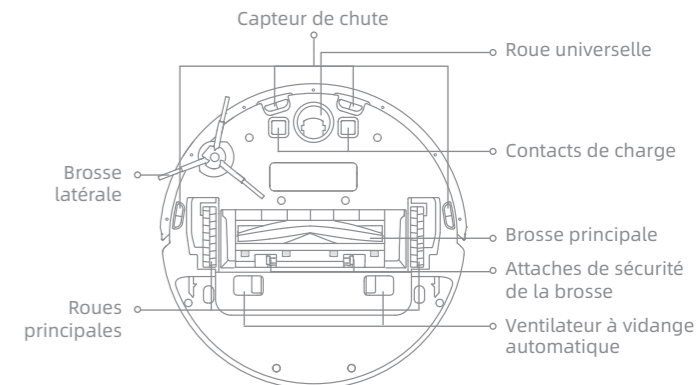
Capteurs du robot



Capteur de distance laser

Pare-chocs

Capteur visuel IA



Capteur de chute

Roue universelle

Contacts de charge

Brosse latérale

Brosse principale

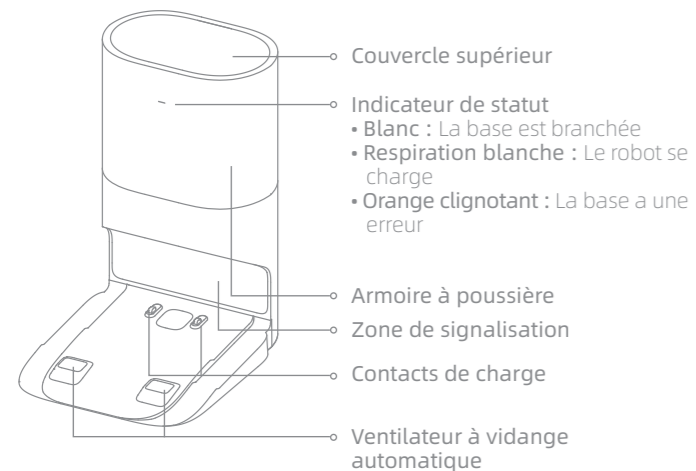
Attaches de sécurité de la brosse

Ventilateur à vidange automatique

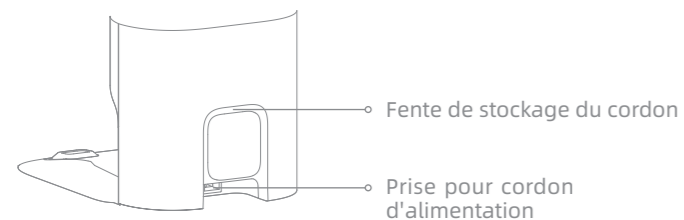
Roues principales

Présentation du produit

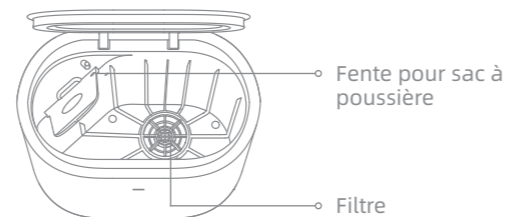
Base auto-videuse



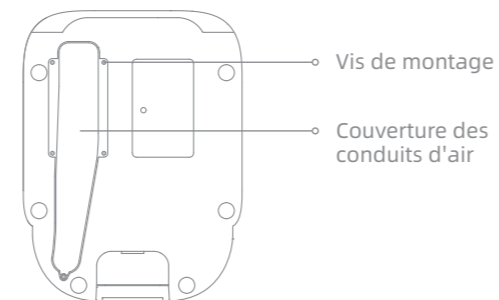
Retour



Ouvrez le couvercle supérieur

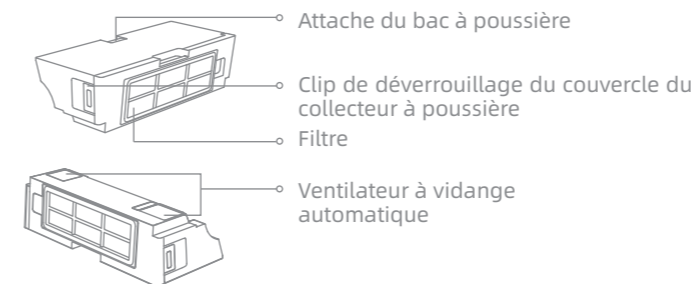


En bas

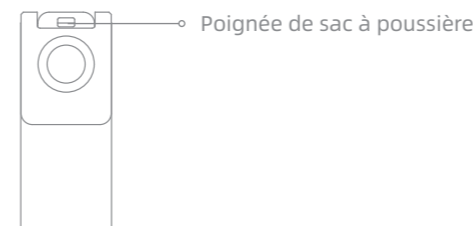


Présentation du produit

Poubelle

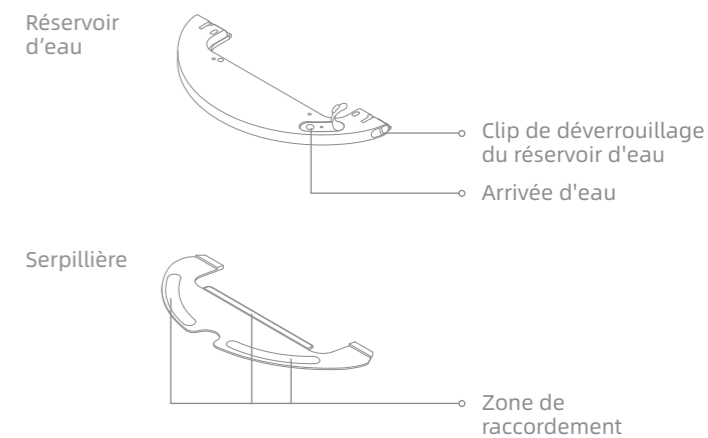


Sac de collecte des poussières

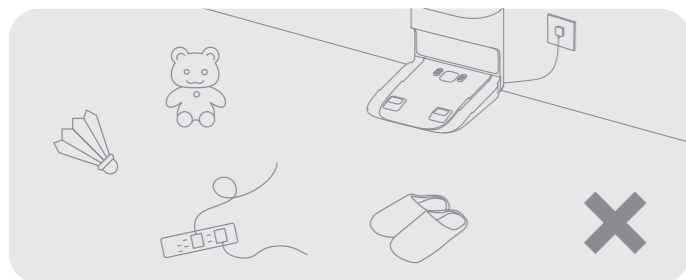


Note : En raison du réglage en usine, un nouveau sac de collecte de poussière a déjà été installé à l'intérieur.

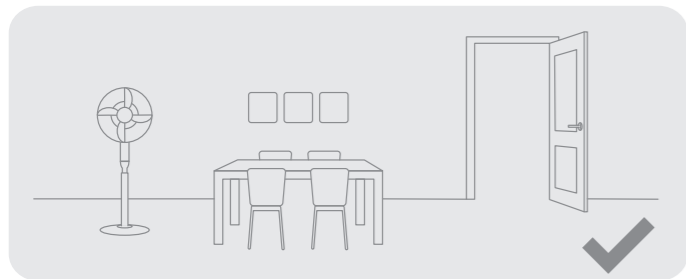
Module de nettoyage



Préparation de votre maison



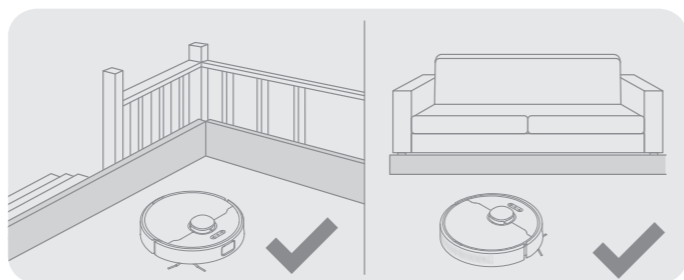
Rangez les objets tels que les cordons d'alimentation, les chiffons, les pantoufles et les jouets pour améliorer l'efficacité du robot.



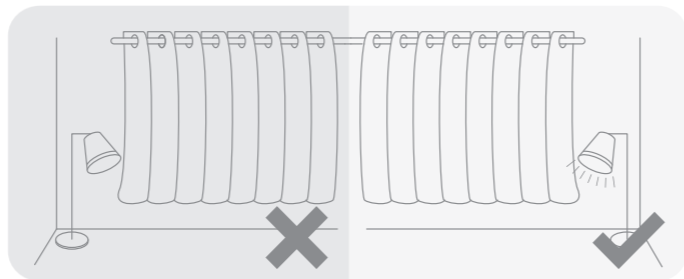
Ouvrez la porte de la pièce à nettoyer, et rangez les meubles dans un endroit approprié pour faire plus de place.

Remarque :

- lorsque vous utilisez le robot pour la première fois, suivez-le pendant le nettoyage afin d'éliminer tout obstacle potentiel à l'avance.
- Pour éviter que le robot ne reconnaisse pas la zone à nettoyer, ne restez pas devant le robot, sur le palier, dans le couloir ou dans les endroits étroits.



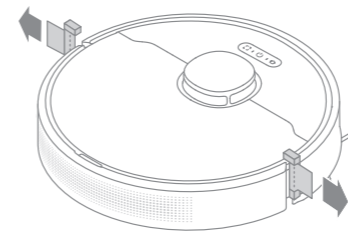
Veuillez utiliser des clôtures physiques pour éviter les zones suspendues ou basses avant le nettoyage afin d'assurer la sécurité et le bon fonctionnement du robot.



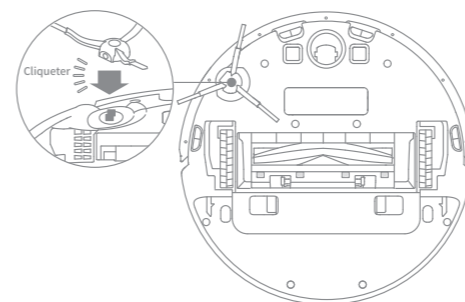
Avec le capteur visuel AI, le robot peut mieux reconnaître et éviter les obstacles tels que les cordons d'alimentation, les chaussures et les chaussettes. Pour tirer le meilleur parti du capteur visuel AI, assurez-vous que toutes les zones à nettoyer sont bien éclairées.

Avant l'utilisation

1. Retirez les bandes de protection



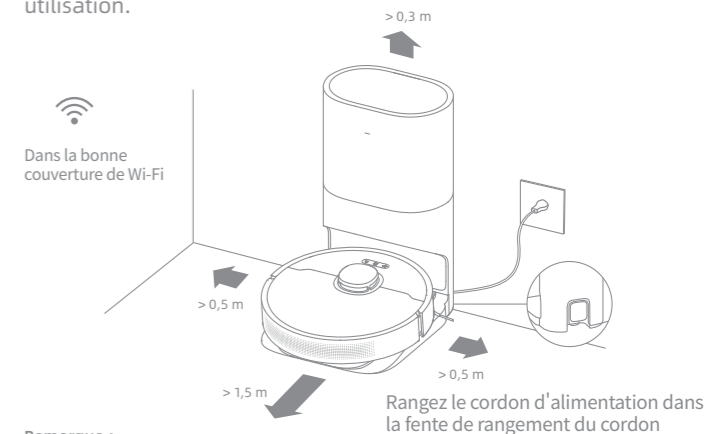
2. Installer la brosse latérale



Remarque : installez la brosse latérale jusqu'à ce qu'elle s'enclenche en place.

3. Brancher sur une prise de courant

Placez la base sur un sol plat contre le mur et branchez l'alimentation. Placez le robot sur la base pour le recharger. Le robot va s'allumer alors automatiquement et se rechargera. Il est recommandé de le charger pleinement avant la première utilisation.



Remarque :

- Assurez-vous qu'il y a une distance de 0,5 mètre ou plus de chaque côté de la base, et une distance de plus de 1,5 mètre devant celle-ci.
- Assurez-vous qu'aucun objet ne puisse bloquer la zone de signalisation.

Infos sur la base auto-videuse

Il est recommandé que le robot parte de la base avant le nettoyage. Cela permet de s'assurer que le robot y retourne en douceur. Ne déplacez pas la base pendant que le robot est en train de nettoyer.

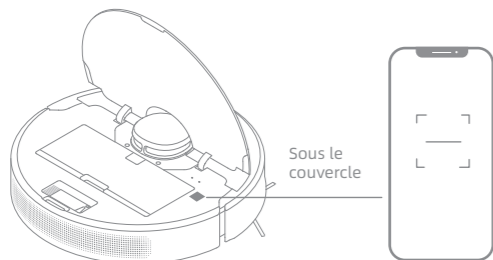
Une fois que le robot a terminé la tâche de nettoyage et revient automatiquement à la base, cette dernière commencera à se vider automatiquement. Vous pouvez effectuer d'autres réglages sur l'APP.

Connexion avec Dreamehome App

Ce produit fonctionne avec l'application Dreamehome, afin de contrôler votre appareil.

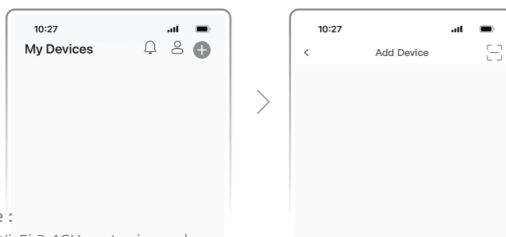
1. Téléchargez l'application Dreamehome

Scannez le code QR sur le robot, ou recherchez "Dreamehome" dans la boutique d'applications pour télécharger et installer l'application en fonction de vos besoins.



2. Ajouter un appareil

Ouvrez l'application Dreamehome, appuyez sur "+" en haut à droite, et scannez à nouveau le code QR ci-dessus pour ajouter "DreameBot D10s Plus". Veuillez suivre les instructions pour terminer la connexion Wi-Fi.

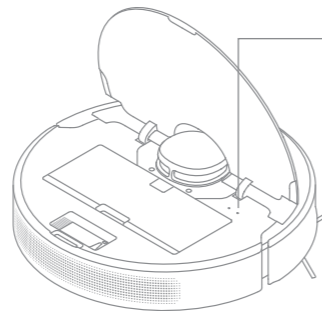


Remarque :

- Seul le Wi-Fi 2,4GHz est pris en charge.
- Le logiciel de l'application est en cours de mise à jour, les opérations réelles peuvent être différentes des instructions dans ce manuel. Veuillez suivre les instructions en fonction de la version actuelle de l'application.

3. Réinitialiser le Wi-Fi

Maintenez simultanément les touches et enfoncées jusqu'à ce que vous entendiez le message « En attente de la configuration réseau ». Lorsque le voyant du Wi-Fi clignote lentement, alors le Wi-Fi a été réinitialisé avec succès.



Indicateur de Wi-Fi

- Clignote lentement : En recherche de connexion
- Clignote rapidement : connexion en cours
- Allumé : connecté

Remarque : lorsque votre téléphone ne parvient pas à se connecter au robot, réinitialisez le Wi-Fi et ajoutez à nouveau l'appareil.

Mode d'utilisation

1. Cartographie rapide

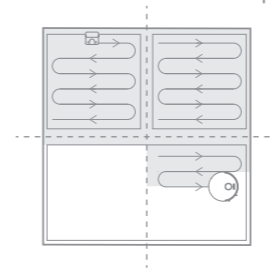
Après avoir configuré le réseau pour la première fois, suivez les instructions de l'application pour créer rapidement une carte, et le robot commencera à cartographier sans nettoyage. Lorsque le robot revient à la base, le processus de cartographie est terminé et la carte est enregistrée automatiquement.

2. Allumer/éteindre

Appuyez sur le bouton et maintenez-le enfoncé pendant 3 secondes pour allumer le robot, et le voyant d'alimentation est allumé en permanence. Placez le robot sur la base, et le robot s'allume automatiquement et commence à se charger. Pour éteindre le robot, éloignez-le de la base, puis appuyez sur le bouton et maintenez-le enfoncé pendant 3 secondes.

3. Commencer le nettoyage

Appuyez brièvement sur le bouton pour commencer le nettoyage après la mise en marche du robot. Ensuite, le robot tracera avec précision un itinéraire, nettoiera méthodiquement le long des bords et des murs, puis finira par nettoyer chaque pièce en forme de S pour assurer un travail complet.



4. Pause / Veille

Lorsque le robot fonctionne, appuyez sur tout bouton pour le mettre en pause. Si le robot est mis en pause pendant plus de 10 minutes, il passe automatiquement en mode sommeil. Tous les indicateurs du robot s'éteignent. Appuyez sur n'importe quel bouton du robot, ou utilisez l'application pour réveiller le robot.

Remarque :

- Le robot s'éteint automatiquement s'il reste en mode veille pendant plus de 12 heures.
- Lorsque le robot est en pause, vous mettez fin au nettoyage en cours si vous le replacez sur la base.

5. Mode Ne pas déranger (DND)

Lorsque le robot est réglé en mode Ne pas déranger (DND), le robot ne peut pas reprendre le nettoyage et le voyant d'alimentation s'éteint. Le mode DND est désactivé par défaut en usine. Vous pouvez utiliser l'application pour activer le mode DND ou modifier la période de DND. La période de mise en veille est de 22:00-8:00 par défaut.

Remarque :

- Les tâches de nettoyage programmées seront effectuées à l'heure pendant la période de mise en veille.
- Le robot reprend le nettoyage du point où il s'est arrêté après l'expiration de la période de mise en veille.

6. Nettoyage local

Lorsque le robot est en veille, appuyez brièvement sur le bouton pour activer le mode de nettoyage local. Dans ce mode, le robot nettoie une zone de forme carrée de 1,5 x 1,5 mètre autour de lui et revient à son point de départ une fois le nettoyage local terminé.

Mode d'utilisation

7. Nettoyage programmé

Vous pouvez programmer l'heure de nettoyage dans l'APP Dreamehome. Le robot commencera automatiquement le nettoyage à l'heure programmée, puis retournera à la base pour se recharger lorsque le nettoyage sera terminé.

8. Plus de fonctionnalités concernant l'APP

Suivez les instructions sur l'interface de l'APP pour utiliser plus de fonctions. La version de l'application pourrait avoir été mise à jour, veuillez suivre les instructions de la version actuelle de l'application.

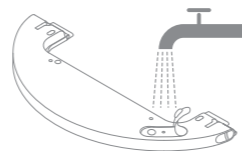
9. Utilisation de la fonction de nettoyage

Il est recommandé de passer l'aspirateur au moins trois fois sur tous les sols avant la première session de nettoyage afin d'obtenir un meilleur effet de nettoyage.

1) Humidifiez la serpillière et essorez de l'eau. Installez le tampon comme indiqué sur le schéma.




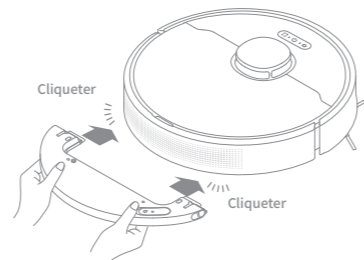
2) Remplissez le réservoir d'eau.



Remarque :

- N'utilisez pas de produits de nettoyage ou de désinfectants.
- Ne remplissez pas l'appareil avec de l'eau chaude, ce qui pourrait déformer le réservoir d'eau.

3) Aligned le module de nettoyage en suivant la flèche, puis faites-le glisser à l'arrière du robot jusqu'à ce que vous entendiez le clic. Appuyez sur le bouton  ou utilisez l'application Dreamehome pour commencer le nettoyage.



Remarque :

- Il n'est pas recommandé d'utiliser la fonction de nettoyage sur les tapis.
- Utilisez l'application pour ajuster le débit d'eau selon vos besoins.

Maintenance de routine

Pièces

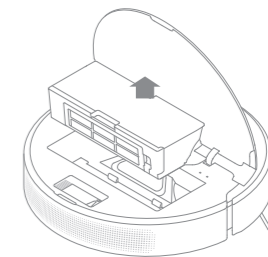
Pour maintenir le robot en bon état, il est recommandé de consulter le tableau suivant pour l'entretien courant.

Pièces	Fréquence d'entretien	Fréquence de remplacement
Serpillère	Après chaque utilisation	Tous les 3 à 6 mois
Brosse principale	Une fois toutes les 2 semaines	Tous les 6 à 12 mois
Filtre du sac à poussière		Tous les 3 à 6 mois
Brosse latérale	Une fois par mois	/
La zone de signalisation de la base d'auto-videuse		
Contacts de charge		
Ventilateur à vidange automatique		
Roue universelle		
Capteur de distance laser		
Capteur visuel IA		
Capteur de chute		
Réservoir d'eau	Nettoyez si nécessaire	/
Poubelle		
Sac de collecte des poussières	/	8 à 10 semaines

Remarque : la fréquence de remplacement dépend de l'utilisation que vous faites du robot. Si une exception se produit en raison de circonstances particulières, les pièces doivent être remplacées.

Nettoyez le bac à poussière et le filtre

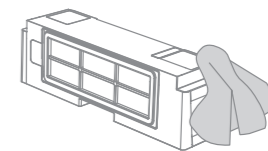
1. Ouvrez le couvercle du robot et appuyez sur l'attache du bac à poussière pour le retirer.



2. Ouvrez le couvercle du bac et videz le bac comme indiqué sur le schéma.

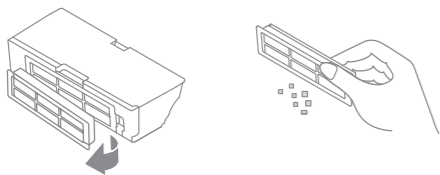


3. Nettoyez l'évent de la base d'auto-videuse.



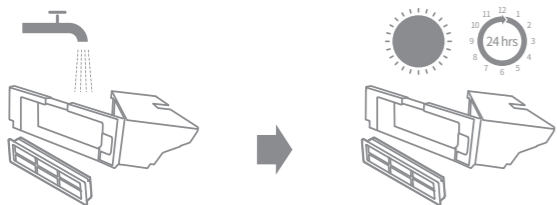
Maintenance de routine

FR 4. Retirez le filtre et tapez doucement sur son panier.



Remarque : n'essayez pas de nettoyer le filtre avec une brosse, un doigt ou des objets pointus pour éviter de l'endommager.

5. Rincez le bac à poussière et le filtre à l'eau et séchez-les complètement avant de les réinstaller.

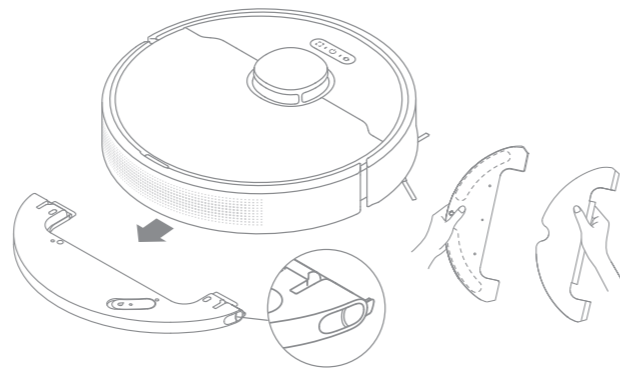


Remarque :

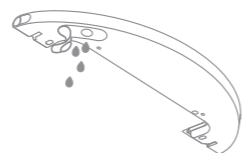
- Rincez le bac à poussière et le filtre à l'eau claire uniquement. N'utilisez pas de détergent.
- N'utilisez le bac à poussière et le filtre que lorsqu'ils sont complètement secs.

Nettoyez le module de nettoyage

1. Faites glisser les deux pinces de libération sur le côté du réservoir d'eau pour retirer le module de balayage, puis retirez le tampon du module de balayage.



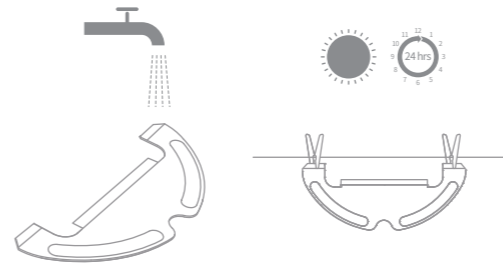
2. Videz l'eau restante du réservoir d'eau et gardez-le au sec naturellement.



Remarque : Ne pas exposer le réservoir directement au soleil.

Maintenance de routine

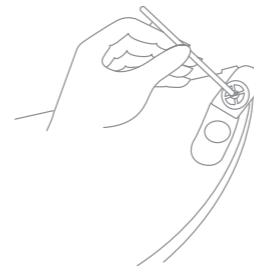
3. Nettoyez la serpillière, puis séchez-la



Remarque :

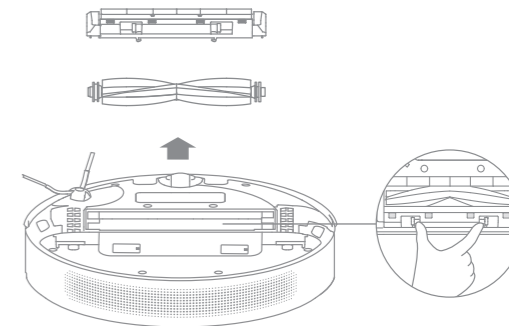
- Retirez la serpillière du module de lavage avant de la nettoyer et assurez-vous que l'eau sale ne retourne pas vers la sortie d'eau afin d'éviter tout colmatage.

4. Si vous remarquez que l'eau coule lentement ou que le volume n'est pas bien réparti, veuillez nettoyer le trou d'aération dans le couvercle du réservoir d'eau.

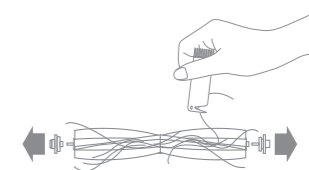


Nettoyez la brosse principale

FR 1. Appuyez sur les clips de protection de la brosse vers l'intérieur pour retirer la protection de la brosse et soulever la brosse pour la sortir du robot.



2. Retirez les couvercles des brosses comme indiqué sur le schéma. Utilisez l'outil de nettoyage fourni pour retirer les cheveux emmêlés dans la brosse.



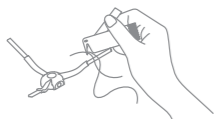
Remarque : Ne tirez pas excessivement fort sur les cheveux emmêlés dans la brosse. Sinon, la brosse principale risque d'être endommagée.

Maintenance de routine

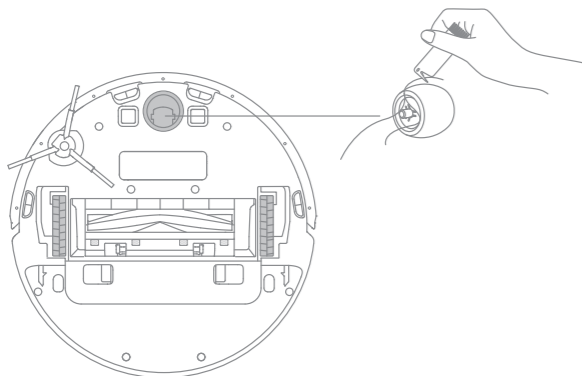
FR

Nettoyer la brosse latérale

Sortez la brosse latérale et utilisez l'outil de nettoyage inclus pour enlever les cheveux emmêlés dans la brosse.



Nettoyez la roue principale et la roue universelle



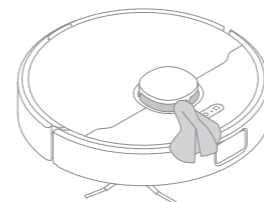
Remarque : Utilisez un outil tel qu'un petit tournevis pour séparer l'essieu et le pneu de la roue universelle.

Maintenance de routine

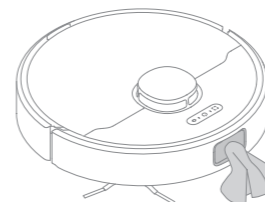
Remarque : Veuillez utiliser un torchon sec pour le nettoyage, l'eau pouvant endommager certains éléments sensibles à l'intérieur du robot et de la base.

FR

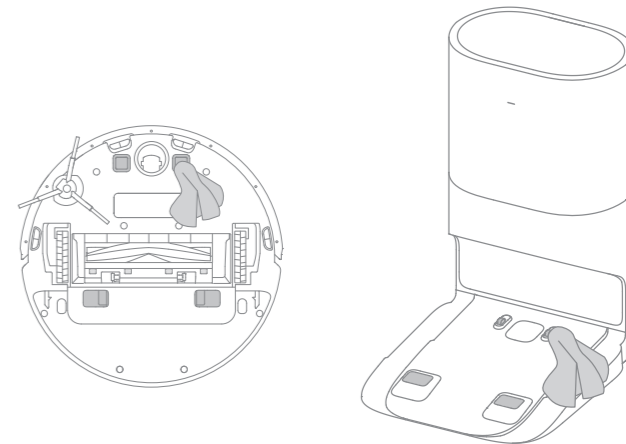
Nettoyez le capteur laser LDS



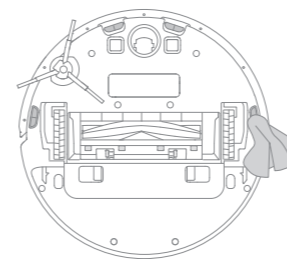
Nettoyez le capteur visuel AI



Nettoyer les contacts de charge et le ventilateur à vidange automatique



Nettoyer le capteur de chute

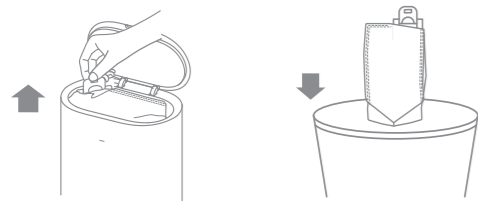


Maintenance de routine

Remplacer le sac de collecte des poussières

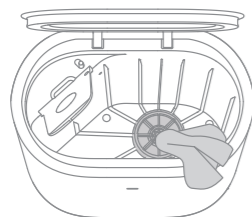
Selon l'indicateur d'état (orange clignotant) et les invites de l'application, remplacez-le par un nouveau lorsque le sac de collecte de la poussière est plein.

1. Jetez le sac de collecte des poussières.

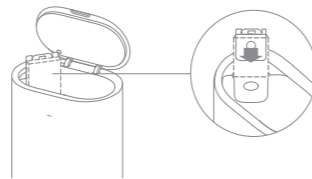


Remarque : lorsque vous sortez le sac à poussière, fermez la poignée du sac à poussière pour éviter que la poussière ne s'échappe.

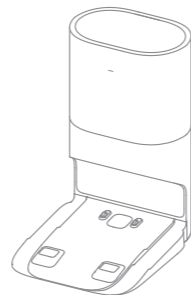
2. Essuyez le filtre avec un chiffon sec.



3. Installer un nouveau sac de collecte des poussières.



4. Fermez le couvercle supérieur de la base auto-vidieuse.



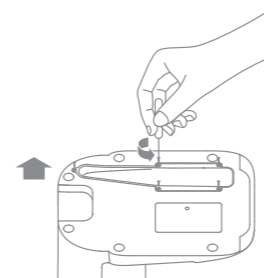
Remarque : Ne fermez pas la base avec force, si le sac de poussière n'est pas installé et le couvercle supérieur de la base ne peut pas être fermé.

Maintenance de routine

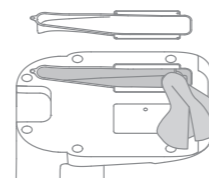
Nettoyer le conduit d'air

Si le conduit d'air est obstrué, veuillez le nettoyer en suivant les étapes suivantes.

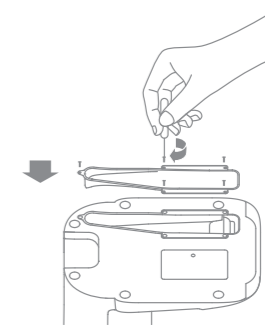
1. Dévissez les vis de fixation du couvercle du conduit d'air et retirez la plaque de couverture.





2. Vérifiez si le conduit d'air est bloqué par des objets étrangers. S'il y en a, nettoyez-les.



3. Réinstallez le couvercle du conduit d'air comme indiqué sur le schéma.



Redémarrage du robot

Si le robot cesse de répondre ou ne peut pas être éteint, appuyez et maintenez le bouton  pendant 10 secondes pour l'éteindre de force. Ensuite, appuyez sur le bouton  et maintenez-le enfoncé pendant 3 secondes pour remettre le robot en marche.

Batterie

Le robot contient une batterie lithium-ion haute performance. Veuillez vous assurer qu'il reste bien chargé pendant l'utilisation quotidienne pour garantir une performance optimale de la batterie. Si le robot n'est pas utilisé pendant une longue période, éteignez-le et rangez-le. Afin qu'il ne soit pas endommagé en raison d'une décharge excessive, le robot doit être rechargé au moins une fois tous les trois mois.

FAQ

Type de problème	Solution
Le robot ne s'allume pas	Le niveau de la batterie est faible. Rechargez le robot à la base, puis réessayez. La température de la batterie est trop basse ou trop élevée. Il est recommandé de faire fonctionner l'appareil à une température entre 32 °F (0°C) et 104 °F (40°C).
Le robot ne charge pas	La base ne reçoit pas de courant. Veuillez vérifier que les deux extrémités du cordon d'alimentation sont correctement branchées. Mauvais contact. Nettoyez les contacts de chargement de la base et du robot.
Le robot ne peut pas retourner à la base	Il y a trop d'obstructions autour de la base. Placez la base dans une zone plus ouverte. Veuillez nettoyer la zone de signalisation de la base. Si vous déplacez le robot, il risque de se repositionner ou de re-cartographier son environnement. Si le robot est trop éloigné de la base, il peut ne pas pouvoir revenir automatiquement de lui-même, auquel cas vous devez placer manuellement le robot sur la base.
Le robot ne fonctionne pas correctement	Éteignez-le robot, puis rallumez-le.
Le robot émet un bruit étrange	Un objet étranger est probablement coincé dans la brosse principale, la brosse latérale ou l'une des roues principales. Arrêtez le robot et enlevez les débris.
Le robot ne nettoie plus correctement ou n'élimine pas toute la poussière	Le bac à poussière est plein. Veuillez nettoyer la poubelle et la prise de poussière. Le filtre est obstrué. Veuillez le nettoyer. Un objet étranger est coincé dans la brosse principale. Veuillez la nettoyer.

FAQ

Type de problème	Solution
Le robot ne peut pas se connecter au Wi-Fi	Un problème avec la connexion Wi-Fi est survenu. Réinitialisez le Wi-Fi et téléchargez la dernière version de l'application Dreamehome, puis essayez de vous reconnecter. Le système de localisation n'est pas activé. Veuillez vous assurer que le système de localisation de l'application Dreamehome est activé. Le signal Wi-Fi est faible. Assurez-vous que le robot est dans une zone offrant un bon signal Wi-Fi. Le Wi-Fi à 5 GHz n'est pas pris en charge. Veuillez vous assurer que votre robot peut se connecter à un signal Wi-Fi 2,4 GHz. Le nom d'utilisateur ou le mot de passe du Wi-Fi est incorrect. Veuillez vous assurer que le nom d'utilisateur et le mot de passe saisis sont corrects.
Le robot n'effectue pas le nettoyage programmé	Le niveau de batterie du robot est faible. Le nettoyage programmé ne commence pas tant que le robot ne dispose pas d'au moins 15 % de batterie.
Le fait de laisser le robot sur la base consomme-t-il de l'énergie s'il est déjà complètement chargé ?	Laisser le robot sur la base une fois qu'il est complètement chargé consomme très peu d'électricité et permet de maintenir une performance optimale de la batterie.
Peu d'eau, voire pas du tout ne sort du module de nettoyage ?	Vérifiez que le réservoir d'eau est rempli et nettoyez la serpillière, le cas échéant. Nettoyez la serpillière si elle est sale. Assurez-vous que la serpillière est bien installée conformément au mode d'emploi. Nettoyez le trou d'air du réservoir d'eau.
Le robot ne reprend pas le nettoyage après la charge	Assurez-vous que le robot n'est pas en mode Ne pas déranger, car cela l'empêcherait de reprendre le nettoyage. Le robot ne reprend pas le nettoyage lorsqu'il est rechargé manuellement ou placé sur la base.

Type de problème	Solution
Le robot retourne sur la base sans effectuer de tâches de dépoussiérage	Le mode "Ne pas déranger" empêche le robot d'effectuer automatiquement des tâches de dépoussiérage.
Le sac de dépoussiérage est plein	Vérifiez si le sac de collecte des poussières est plein. Si c'est le cas, remplacez-le par un nouveau sac. Il est recommandé de remplacer le sac toutes les 8 à 10 semaines. Si ce n'est pas le cas, vérifiez si l'entrée de poussière ou le conduit d'air au fond de la base est bloqué. Enlevez tout blocage avant l'utilisation.
La durée de dépoussiérage peut parfois être inacceptablement longue.	Lorsque le robot a effectué des tâches de dépoussiérage pendant un certain temps, ou lorsque le conduit d'air ne fonctionne pas correctement, la durée de dépoussiérage sera prolongée pour éviter tout blocage.
Le couvercle supérieur du base ne peut pas être fermé	Vérifiez si un sac de collecte des poussières est installé. Si ce n'est pas le cas, installez-en un.

Pour des services supplémentaires, veuillez nous contacter via aftersales@dreame.tech

Site Web : <https://global.dreametech.com>

Spécifications

Robot

Modèle	RLS6AD
Temps de Charge	Environ 6 heures
Tension nominale	14,4 V $\overline{\text{---}}$
Puissance nominale	46 W
Fréquence de fonctionnement	2400-2483,5 MHz
Puissance maximale en sortie	< 20 dBm

Socle de charge

Modèle	RCS2
Entrée nominale	220-240 V~ 50-60 Hz
Sortie nominale	19,8 V $\overline{\text{---}}$ 1 A
Puissance nominale	800 W

Dans des conditions normales d'utilisation, cet équipement doit être maintenu à une distance d'au moins 20 cm entre l'antenne et le corps de l'utilisateur.



Points de collecte sur www.quefairedemesdechets.fr
Privilégiez la réparation ou le don de votre appareil !

Mise au rebut et retrait de la batterie

FR

La batterie lithium-ion intégrée contient des substances dangereuses pour l'environnement. Avant de mettre la batterie au rebut, assurez-vous qu'elle est retirée par des techniciens qualifiés et mise au rebut dans un centre de recyclage approprié.

- la batterie doit être retirée de l'appareil avant d'être mise au rebut ;
- l'appareil doit être déconnecté du réseau électrique lors du retrait de la batterie ;
- la batterie doit être mise au rebut en toute sécurité.

ATTENTION:

- Avant de retirer la batterie, débranchez l'appareil et videz la batterie autant que possible.
- Les batteries inutilisées doivent être mises au rebut dans un centre de recyclage approprié.
- Ne pas exposer à un environnement à haute température pour éviter les risques d'explosion.
- Dans des conditions abusives, un liquide peut être éjecté de la batterie. En cas de contact, rincez à l'eau et consultez un médecin.

WEEE-Informationen



Tous les produits portant ce symbole deviennent des déchets d'équipements électriques et électroniques (DEEE dans la Directive européenne 2012/19/UE) qui ne doivent pas être mélangés aux déchets ménagers non triés. Vous devez contribuer à la protection de l'environnement et de la santé humaine en apportant l'équipement usagé à un point de collecte dédié au recyclage des équipements électriques et électroniques, agréé par le gouvernement ou les autorités locales. Le recyclage et la destruction appropriés permettront d'éviter tout impact potentiellement négatif sur l'environnement et la santé humaine. Contactez l'installateur ou les autorités locales pour obtenir plus d'informations concernant l'emplacement ainsi que les conditions d'utilisation de ce type de point de collecte.

Informazioni di sicurezza

Per evitare scosse elettriche, incendi o lesioni causate da un uso improprio dell'apparecchio, per favore leggi attentamente il manuale utente prima di usare l'apparecchio e conservalo per riferimento futuro.

IT

Restrizioni per l'utilizzo

- Questo prodotto non deve essere utilizzato da bambini di età inferiore a 8 anni, né da persone con deficit fisici, sensoriali, cognitivi, esperienza o conoscenza limitata, senza la supervisione di un genitore o tutore, al fine di garantire la sicurezza del funzionamento ed evitare eventuali rischi. La pulizia e la manutenzione non devono essere eseguite da bambini senza supervisione.
- Non consentire ai bambini di giocare con questo prodotto. Assicurarsi che bambini e animali domestici siano a distanza di sicurezza dal robot mentre è in funzione.
- Questo prodotto deve essere usato solo per pulire i pavimenti di casa. Non va usato all'esterno, su superfici diverse dai pavimenti o in ambito commerciale o industriale.
- Se il cavo di alimentazione viene danneggiato o è spezzato, interrompere immediatamente l'utilizzo e contattare il servizio di assistenza post-vendita.
- Non utilizzare il robot in un ambiente sospeso sopra il livello del suolo senza una barriera protettiva.
- Non posizionare il robot capovolto. Non usare la copertura LDS, la copertura del robot o il paraurti come maniglia per il robot.
- Non usare l'robot a una temperatura ambiente oltre i 40°C o al di sotto di 0°C o su pavimenti dove sono presenti liquidi o sostanze appiccicose.
- Togliere da terra eventuali cavi prima di utilizzare il robot, per evitare che vengano tirati durante la pulizia.
- Spostare dal pavimento gli oggetti fragili o piccoli per evitare che il robot li urti e li danneggi.
- Per evitare danni o danni causati dal trascinarsi, elimina eventuali oggetti sciolti

Informazioni di sicurezza

Restrizioni per l'utilizzo

- dal pavimento e rimuovi cavi o cavi di alimentazione sul percorso di pulizia prima di usare l'apparecchio.
- Tenere lontani capelli, dita e altre parti del corpo dalla boccola di aspirazione del robot.
- Tenere lo strumento per la pulizia della spazzola lontano dalla portata dei bambini.
- Non posizionare bambini, animali domestici o nessun altro oggetto sul robot, sia quando è fermo sia quando è in movimento.
- Non usare il robot per pulire eventuali sostanze infiammabili. Non usare il robot per raccogliere liquidi infiammabili o combustibili, gas corrosivi o acidi o solventi non diluiti.
- Non usare l'aspirapolvere su oggetti duri e taglienti. Non usare l'apparecchio per raccogliere oggetti come sassi, pezzi di carta grandi o qualsiasi altro oggetto che possa ostruire l'apparecchio.
- Accertarsi che il robot sia spento e che la base auto-vuota sia scollegata prima di pulire o effettuare operazioni di manutenzione.
- Non usare un panno umido per strofinare o qualsiasi liquido per risciacquare il robot e la base. Le parti lavabili devono essere completamente asciugate prima di installarle e usarle.
- Accertarsi che l'robot sia spento durante il trasporto e conservarlo nella sua confezione originale, se possibile.
- Utilizzare il prodotto seguendo le istruzioni fornite nel manuale utente. Gli utenti sono responsabili di eventuali perdite o danni derivanti dall'uso improprio dell'apparecchio.

Informazioni di sicurezza

Batterie e Ricarica

- Non utilizzare batterie, alimentatori o base auto-vuota non originali. Utilizzare soltanto con l'unità di alimentazione RCS2.
- Non tentare di smontare, riparare o modificare la batteria o la base auto-vuota da soli.
- Non posizionare la base auto-vuota vicino a fonti di calore.
- Non usare panni umidi o mani bagnate per strofinare o pulire i contatti della base auto-vuota.
- Non smaltire in modo improprio le batterie usate. Smaltire le batterie non più necessarie in appositi impianti di riciclaggio.
- Se l'robot non viene utilizzato per diverso tempo, ricaricarlo completamente, quindi spegnerlo e conservarlo in un posto fresco e asciutto. Ricaricare l'robot almeno una volta ogni 3 mesi per evitare uno scaricamento eccessivo della batteria.
- Questo prodotto contiene batterie che possono essere sostituite soltanto da tecnici qualificati o dal servizio di assistenza post-vendita.

Informazioni di sicurezza sul laser

- Il sensore laser di questo prodotto soddisfa lo Standard IEC 60825-1: 2014 per i prodotti laser di Classe 1. Per favore evita il contatto visivo diretto con esso durante l'uso.

Par la présente, Dreame Trading (Tianjin) Co., Ltd. déclare que cet équipement radio de type RLS6AD est conforme à la Directive européenne 2014/53/UE. L'intégralité de la déclaration de conformité pour l'UE est disponible à l'adresse suivante: <https://global.dreameotech.com>
Il manuale elettronico dettagliato è disponibile all'indirizzo <https://global.dreameotech.com/pages/user-manuals-and-faqs>

Presentazione del prodotto

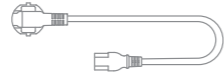
Accessori



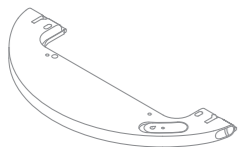
Strumento di pulizia



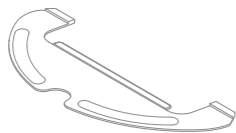
Spazzola laterale



Cavo di Alimentazione



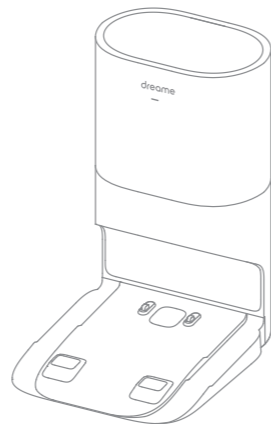
Serbatoio d'acqua



Mocio



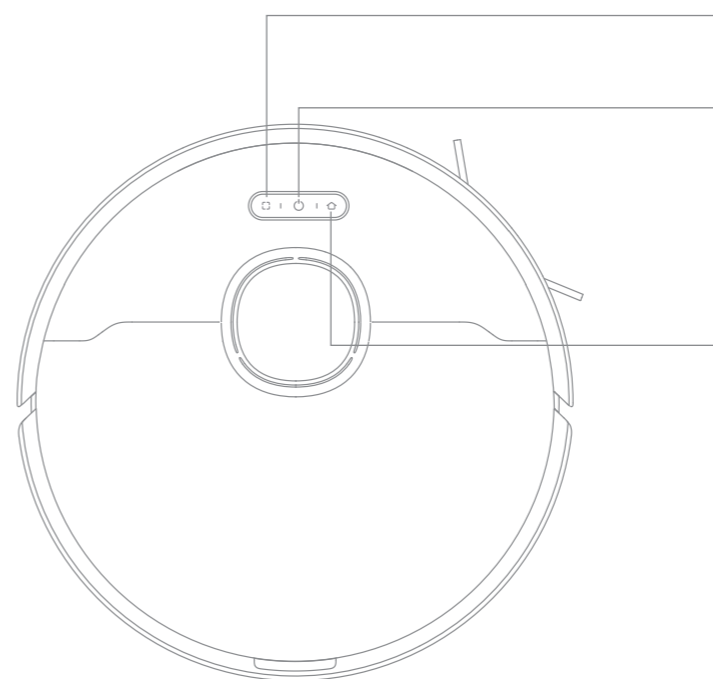
Sacchetto di raccolta della polvere (di ricambio)



Base auto-vuota

Presentazione del prodotto

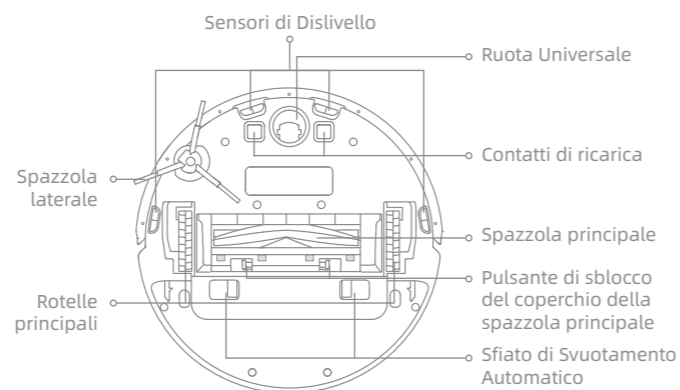
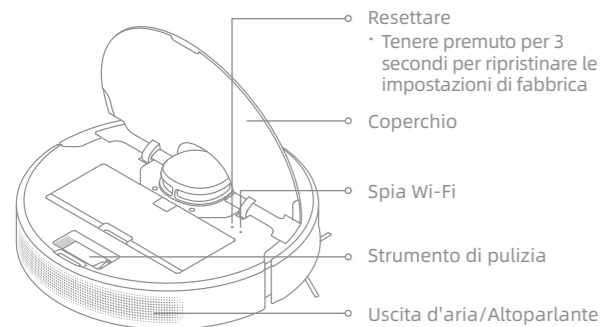
Robot



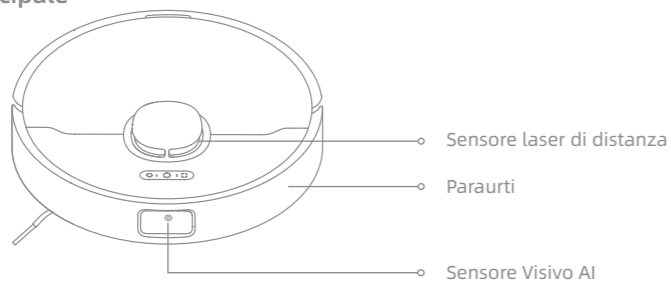
- Pulsante di Pulizia delle Macchie
 - Premi brevemente per avviare la pulizia delle macchie
 - Pulsante di accensione/spegnimento/pulizia
 - Premi e tieni premuto per 3 secondi per accendere o spegnere
 - Premi brevemente per avviare la pulizia dopo che il robot è acceso
 - Pulsante Dock
 - Premere il pulsante velocemente per attivare il ritorno in ricarica
 - Premi e tieni premuto per 3 secondi per disabilitare Blocco Bambini
- Indicatore di stato
- Luce bianca fissa: pulizia in corso o completa
 - Luce arancione lampeggia: errore
 - Blu: Monitoraggio della fotocamera abilitato

Presentazione del prodotto

Robot



Sensore del dispositivo principale

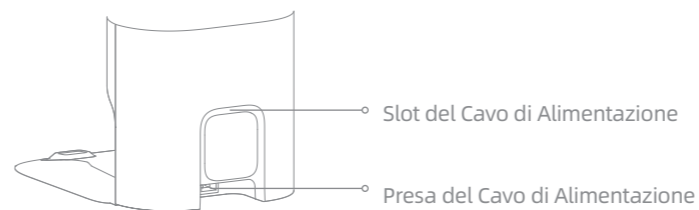


Presentazione del prodotto

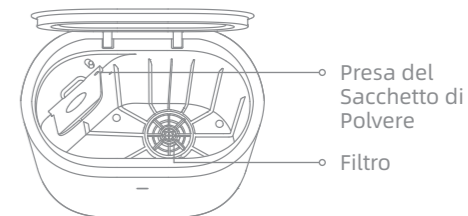
Base auto-vuota



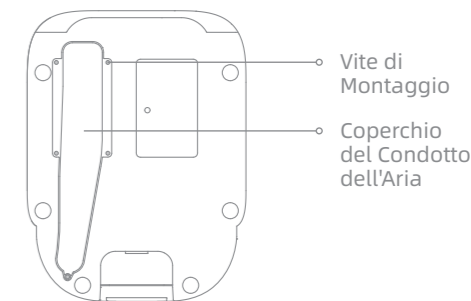
Retro



Aprire la copertura superiore

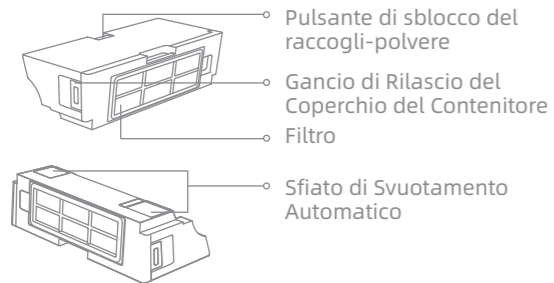


Parte inferiore

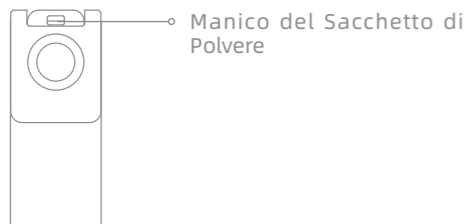


Presentazione del prodotto

Contenitore Raccogli-polvere

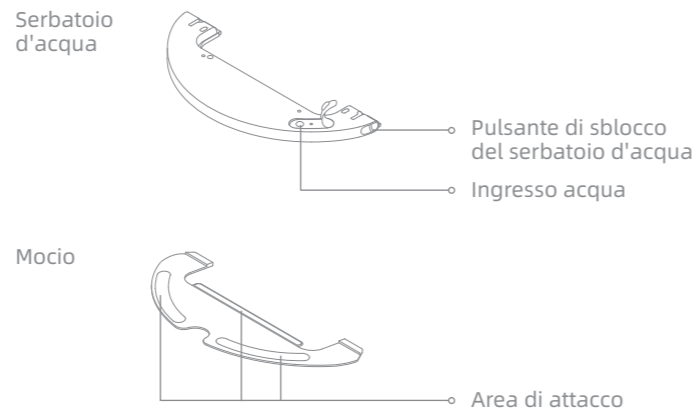


Sacchetto di raccolta della polvere



Nota: A causa dell'impostazione di fabbrica, all'interno è già stato installato un nuovo sacchetto di polvere.

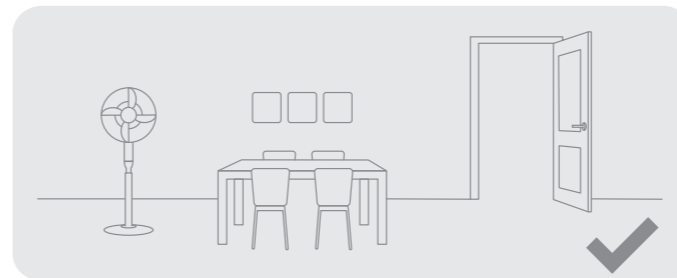
Modulo di lavaggio



Prepara la Tua Casa



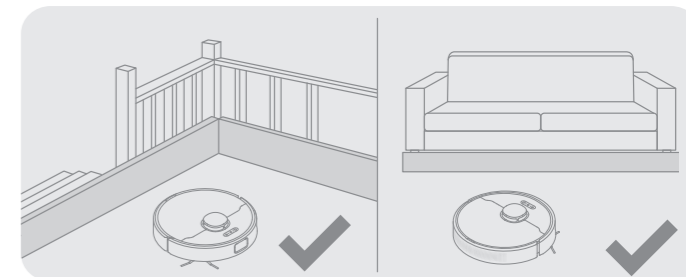
Riordina oggetti come cavi di alimentazione, panni, pantofole e giocattoli per migliorare l'efficienza del robot.



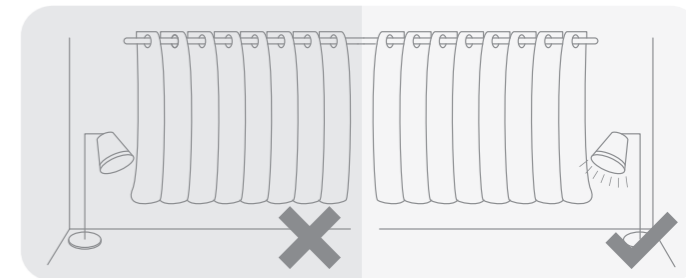
Aprire la porta della zona da pulire e mettere i mobili in posizione ordinata per lasciare uno spazio sufficiente.

Nota:

- Quando usi il robot per la prima volta, seguilo durante la pulizia per rimuovere eventuali ostacoli in tempo.
- Per evitare che il robot non riconosca l'area da pulire, non sostare davanti al robot, alla soglia o al corridoio stretto.



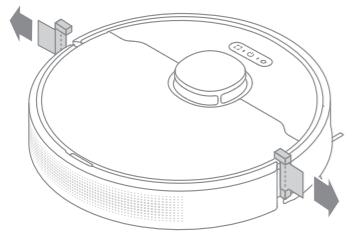
Prima della pulizia, utilizzare una barriera fisica sul bordo delle scale e del divano per garantire un funzionamento sicuro e regolare del robot.



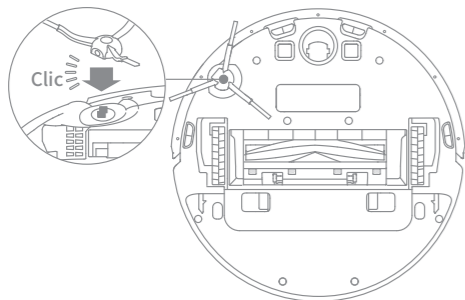
Con il sensore visivo AI, il robot può riconoscere ed evitare meglio ostacoli come cavi di alimentazione, scarpe e calze, per ottenere il massimo dal sensore visivo AI, assicurati che tutte le aree da pulire siano ben illuminate.

Prima dell'Uso

1. Rimuovi le strisce protettive



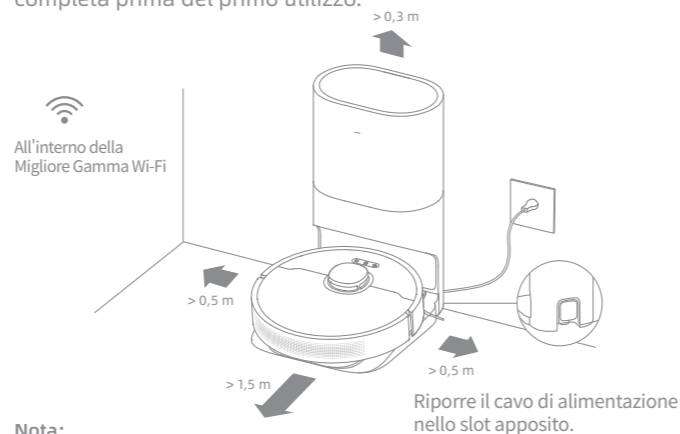
2. Installazione delle spazzole laterali



Nota: Installa la spazzola laterale finché non scatta in posizione.

3. Collegare a una presa di corrente

Posizionare la base sul pavimento a ridosso del muro e collegarla all'alimentazione. Posizionare il robot sulla base. Si accenderà e si ricaricherà automaticamente. Si consiglia di fare una ricarica completa prima del primo utilizzo.



Nota:

- Assicurarsi che non ci sia altri oggetti alla distanza di 0,5 metri su entrambi i lati e 1,5 metri alla parte anteriore della base.
- Assicurarsi che nessun oggetto possa bloccare l'area di segnalazione.

Informazioni sulla base auto-vuota

Si consiglia di far partire il robot dalla base prima della pulizia. Ciò garantisce che il robot ritorni alla base senza problemi. Non spostare la base mentre il robot sta pulendo.

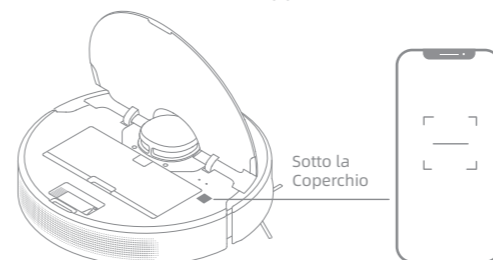
Dopo che il robot ha completato l'operazione di pulizia e torna automaticamente alla base, la base inizierà l'auto-svuotamento. È possibile utilizzare più impostazioni sull'APP.

Connettiti con l'App Dreamehome

Questo prodotto funziona con l'app Dreamehome, che può essere usata per controllare il dispositivo.

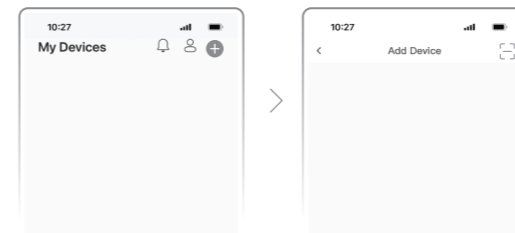
1. Scaricare l'App Dreamehome per la casa

Scansiona il codice QR sul robot o cerca "Dreamehome" nell'app store per scaricare e installare l'app in base alle tue esigenze.



2. Aggiungi dispositivo

Apri il Dreamehome, tocca "+" in alto a destra e scansiona nuovamente il codice QR sopra per aggiungere "DreameBot D10s Plus". Per favore segui le istruzioni per terminare la connessione Wi-Fi.

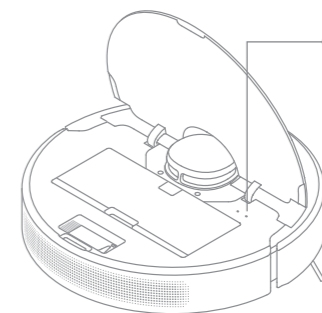


Nota:

- La connessione Wi-Fi supporta solo il segnale su banda 2,4 GHz.
- Il software dell'app è in fase di aggiornamento, le operazioni effettive potrebbero essere diverse dalle dichiarazioni in questo manuale. Per favore segui le istruzioni in base alla versione corrente dell'app.

3. Ripristino della connessione Wi-Fi

Aprire la coperchia per vedere la pia Wi-Fi, tenere premuto i pulsanti e fino a quando non si sente la voce che dice "Attende la configurazione della rete". Una volta che l'indicatore Wi-Fi lampeggia lentamente, il dispositivo principale è in modalità della connessione di rete.



Spia Wi-Fi

- Lampeggia lentamente: Attende la connessione
- Lampeggia velocemente: Si sta connettendo
- Acceso: Connesso



Nota: Quando il telefono non si connette con successo al robot, fai il reset del Wi-Fi e aggiungi nuovamente il dispositivo.

Istruzioni utente


1. Mappatura Veloce

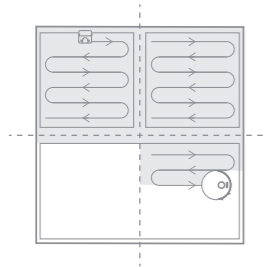
Dopo aver configurato la rete per la prima volta, segui le istruzioni sull'app per creare rapidamente una mappa e il robot inizierà a mappare senza pulizia. Quando il robot torna alla base, il processo di mappatura è stato completato e la mappa sarà salvata automaticamente.

2. Accensione/Spegnimento

Premi e tieni premuto il pulsante  per 3 secondi per accendere il robot e l'indicatore di alimentazione è permanentemente acceso. Posiziona il robot sulla base e il robot si accende automaticamente e inizia la ricarica. Per spegnere il robot, allontanalo dalla base e tieni premuto il pulsante  per 3 secondi.

3. Avvio pulizia

Premi brevemente il pulsante  per avviare la pulizia dopo che il robot è stato acceso. Quindi, il robot mapperà accuratamente un percorso, pulirà metodicamente lungo i bordi e le pareti, quindi finirà pulendo ogni stanza secondo uno schema a forma di S per garantire un lavoro accurato.



4. Pausa / Sonno

Quando il robot è in funzione, premi un pulsante qualsiasi per metterlo in pausa. Se il robot viene messo in pausa per più di 10 minuti, entra automaticamente in modalità di sospensione. Tutti gli indicatori sul robot si spegneranno. Premi un pulsante qualsiasi sul robot o usa l'app per svegliare il robot.

Nota:

- Il robot si spegnerà automaticamente se lasciato in modalità riposo per più di 12 ore quando non è in ricarica.
- Quando il dispositivo principale è in pausa, l'attività di pulizia terminerà se viene posizionato sulla base.


5. Modalità Non Disturbare (DND)

Quando il robot è impostato sulla modalità Non Disturbare (DND), al robot verrà impedito di riprendere la pulizia e l'indicatore di alimentazione si spegne. La modalità DND è disabilitata per impostazione predefinita in fabbrica. Puoi usare l'app per abilitare la modalità DND o modificare il periodo DND. Il periodo DND è 22: 00 - 8: 00 per impostazione predefinita.

Nota:

- I compiti di pulizia programmati verranno eseguiti in tempo durante il periodo DND.
- Il robot riprenderà la pulizia da dove era stata interrotta dopo la scadenza del periodo DND.

6. Pulizia delle Macchie

Quando il robot è in standby, premi brevemente il pulsante  per abilitare la modalità di pulizia delle macchie. In questa modalità, il robot pulisce un'area di forma quadrata di 1,5 x 1,5 metri intorno ad essa e torna al punto di partenza una volta completata la pulizia delle macchie.

Istruzioni utente

7. Pulizia programmata

Puoi programmare il tempo di pulizia nell'app Dreamehome. Il robot inizierà la pulizia all'ora designata automaticamente e quindi tornerà alla base per ricaricarsi quando la pulizia è terminata.

8. Più funzioni nell'App

Segui le istruzioni sull'interfaccia dell'App per utilizzare più funzioni. La versione dell'app potrebbe essere stata aggiornata e si prega di seguire le istruzioni che fanno riferimento alla versione corrente.

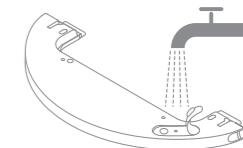
9. Usare la funzione di lavaggio

Si raccomanda di procedere all'aspirazione del pavimento almeno tre volte prima della prima sessione di lavaggio per avere una migliore pulizia.

1) Inumidire il panno di lavaggio e strizzare l'acqua in eccesso. Installa il mocio come mostrato nel diagramma.




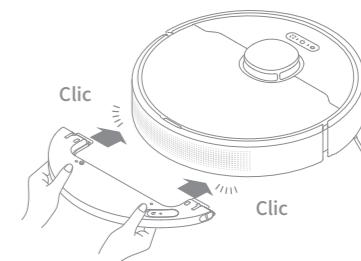
2) Riempi il serbatoio con acqua.



Nota:

- Non utilizzare detersivi o disinfettanti.
- Non riempire con acqua calda, che potrebbe causare la distorsione del serbatoio d'acqua.

3) Installare il serbatoio nel dispositivo, e farlo scorrere fino in fondo finché non scatta in posizione con un "clic". Premere il pulsante  oppure utilizzare l'app Dreamehome per avviare la pulizia.



Nota:

- Non è raccomandato usare la funzione di lavaggio sui tappeti.
- Usare l'app per regolare il flusso d'acqua a seconda della necessità.

Manutenzione quotidiana

Parti

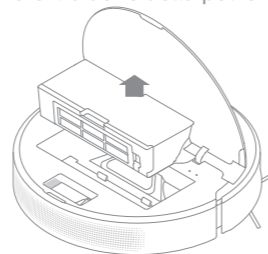
Per mantenere il robot in buone condizioni, si consiglia di fare riferimento alla tabella seguente per la manutenzione ordinaria.

Parte	Frequenza di Manutenzione	Frequenza di Sostituzione
Mocio	Dopo ogni uso	Ogni 3 - 6 mesi
Spazzola principale	Una volta ogni 2 settimane	Ogni 6 - 12 mesi
Filtro del Contenitore della Polvere		Ogni 3 - 6 mesi
Spazzola laterale		
Svuotamento automatico dell'area di segnalazione della base	Una volta ogni mese	/
Contatti di ricarica		
Sfiato di Svuotamento Automatico		
Ruota Universale		
Sensore laser di distanza		
Sensore Visivo AI		
Sensori di Dislivello		
Serbatoio d'acqua	Pulire secondo necessità	/
Contenitore Raccogli-polvere		
Sacchetto di raccolta della polvere	/	8 - 10 settimane

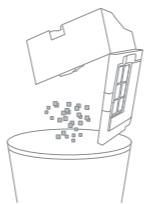
Nota: La frequenza di sostituzione dipenderà dal tuo utilizzo del robot. Se si verifica un'eccezione a causa di circostanze speciali, le parti devono essere sostituite.

Pulizia del raccogli-polvere e del filtro

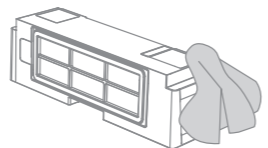
1. Apri il coperchio del robot e premi il gancio del contenitore della polvere per rimuovere il bidone della polvere.



2. Apri il coperchio del bidone e svuota il bidone come mostrato nel diagramma.

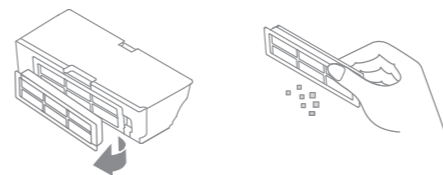


3. Pulire lo sfiato di svuotamento automatico.



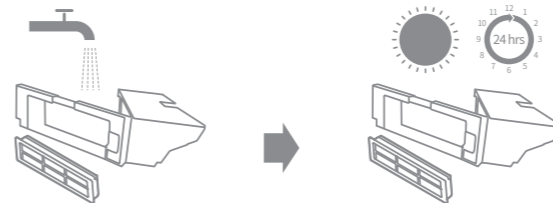
Manutenzione quotidiana

4. Rimuovi il filtro e tocca delicatamente il suo cestello.



Nota: Non tentare di pulire il filtro con una spazzola, un dito o oggetti appuntiti per evitare danni.

5. Sciacqua il contenitore della polvere e il filtro con acqua e asciugali completamente prima di reinstallarli.

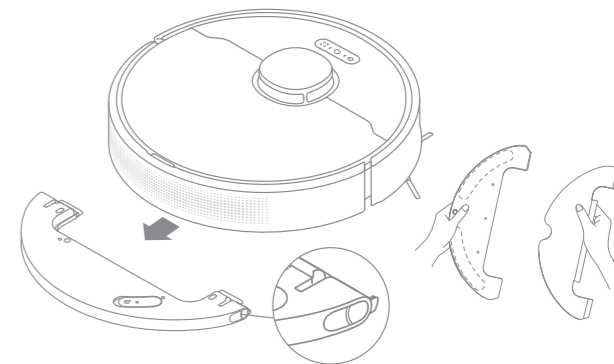


Nota:

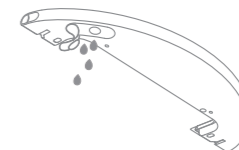
- Sciacqua il bidone della polvere e il filtro solo con acqua pulita. Non usare alcun detersivo.
- Usa il bidone della polvere e il filtro solo quando sono completamente asciutti.

Pulizia del modulo di lavaggio

1. Fai scorrere le due morsetti di rilascio sul lato del serbatoio dell'acqua per rimuovere il modulo di pulizia, quindi estrai il mocio dal modulo di pulizia.



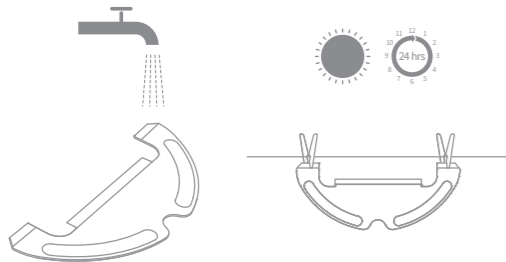
2. Svuotare l'acqua rimanente nel serbatoio d'acqua e lasciarlo asciugare naturalmente.



Nota: Non esporre il serbatoio alla luce diretta del sole.

Manutenzione quotidiana

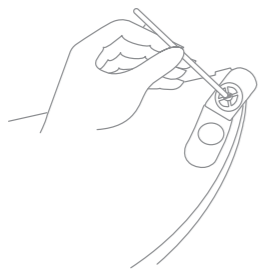
3. Pulire e far asciugare il panno di lavaggio.



Nota:

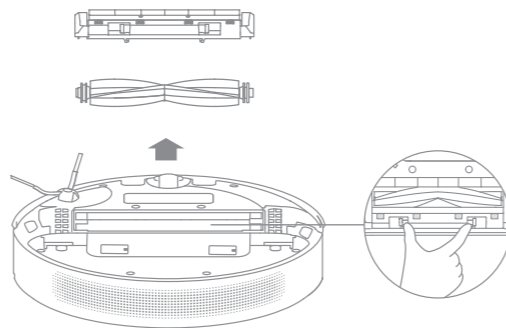
· Rimuovere il panno e pulirlo dopo la pulizia per evitare che l'acqua sporca ritorni nell'uscita d'acqua e causi intasamenti.

4. Se il volume del flusso d'acqua non è ben distribuito o rallentato si prega di pulire la bocchetta d'aria sul coperchio del serbatoio.



Pulizia della spazzola principale

1. Premi i ganci di guardia della spazzola verso l'interno per rimuovere la guardia della spazzola e sollevare la spazzola dal robot.



2. Estrai i coperchi della spazzola come mostrato nel diagramma. Usa lo strumento di pulizia fornito per rimuovere i capelli aggrovigliati nella spazzola.

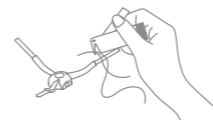


Nota: Se i capelli sono strettamente aggrovigliati alla spazzola non tirarli con forza per evitare di danneggiarla.

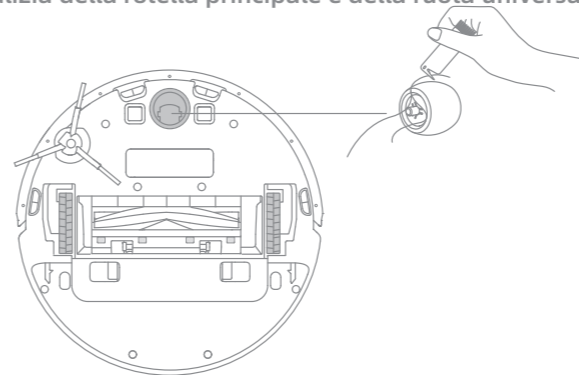
Manutenzione quotidiana

Pulizia della spazzola laterale

Estrai la spazzola laterale e usa lo strumento di pulizia incluso per rimuovere qualsiasi capello aggrovigliato nella spazzola.



Pulizia della rotella principale e della ruota universale

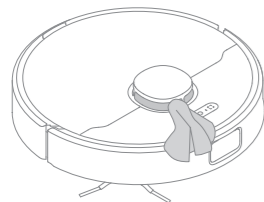


Nota: Usa uno strumento come un piccolo cacciavite per separare l'asse e il pneumatico della ruota universale.

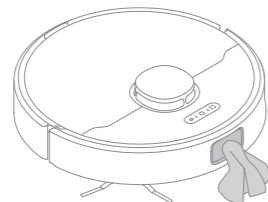
Manutenzione quotidiana

Nota: Si prega di usare un panno asciutto per la pulizia, in quanto il dispositivo principale e l'interno della base contengono elementi sensibili. Non usare panni bagnati per evitare l'insorgere di danni causati dall'acqua.

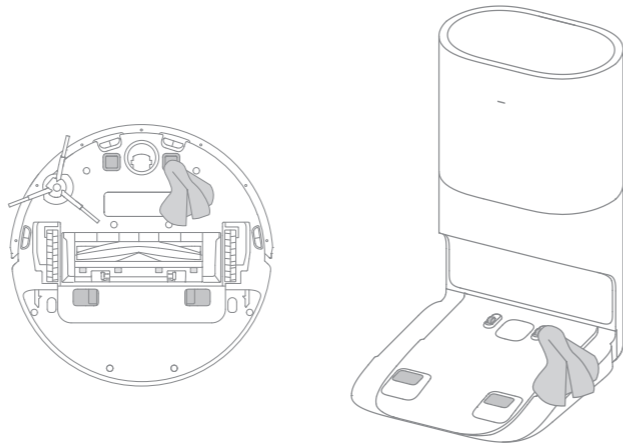
Pulire il sensore laser LDS



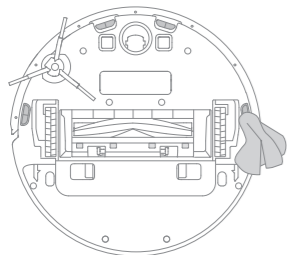
Pulisci il Sensore Visivo AI



Pulisci i Contatti di Ricarica e gli Sfiati di Svuotamento Automatico



Pulire il sensore di dislivello

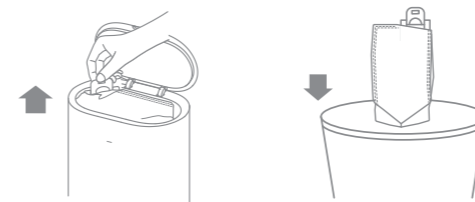


Manutenzione quotidiana

Sostituire il Sacchetto di Polvere

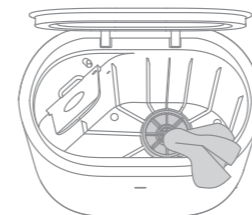
Secondo l'indicatore di stato (arancione lampeggiante) e le richieste dell'app, sostituirlo con uno nuovo quando il sacchetto di polvere è pieno.

1. Buttare il sacchetto di polvere.

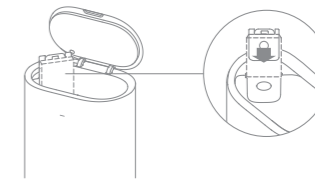


Nota: quando si estrae il sacchetto di polvere, la maniglia del sacchetto chiuderà il sacchetto per impedire efficacemente la fuoriuscita di polvere.

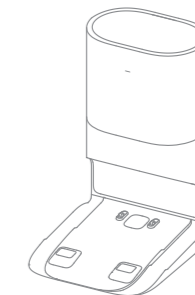
2. Pulire il filtro.



3. Installare un nuovo sacchetto di polvere.



4. Chiudere il coperchio superiore della base auto-vuota.



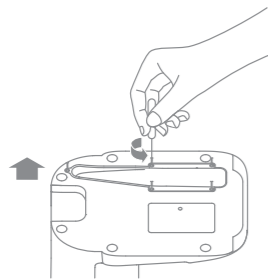
Nota: Non chiudere con forza la base se non è possibile chiudere il coperchio superiore della base e il sacchetto di polvere non è installato.

Manutenzione quotidiana

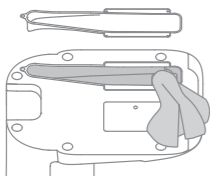
Pulire il Condotto dell'Aria

Se il condotto dell'aria è ostruito, pulirlo seguendo i passaggi seguenti.

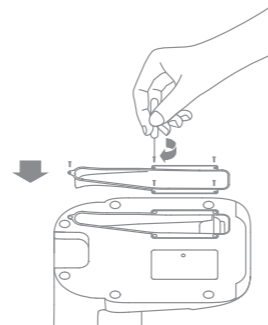
1. Svitare le viti sul coperchio del condotto dell'aria e rimuovere il coperchio.




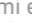
2. Controllare se il condotto dell'aria è ostruito da oggetti estranei. Se ce ne sono, pulirli.



3. Reinstallare il coperchio del condotto dell'aria come mostrato nel diagramma.



Riavvio del Robot

Se il robot smette di rispondere o non può essere spento, premi e tieni premuto il pulsante  per 10 secondi per spegnerlo forzatamente. Quindi, premi e tieni premuto il pulsante  per 3 secondi per accendere il robot.

Batteria

Il robot contiene una batteria agli ioni di litio ad alte prestazioni. Assicurarsi che l'apparecchio resti carico durante l'utilizzo quotidiano per mantenere le prestazioni ottimali della batteria. Se il robot non viene utilizzato per lungo tempo, spegnerlo e conservarlo. Per evitare danni da scaricamento eccessivo, ricaricare il robot almeno una volta ogni tre mesi.

Problemi comuni

Problema	Soluzione
Il robot non si accende	Il livello della batteria è basso. Ricaricare il robot alla base e poi riavviarlo. La temperatura della batteria è troppo bassa o troppo alta. Si consiglia di far funzionare l'apparecchio a una temperatura compresa tra 32 °F (0 °C) e 104 °F (40 °C).
Il robot non si ricarica	La base non riceve alimentazione. Controllare che entrambe le estremità del cavo di alimentazione siano collegate correttamente. Scarso contatto. Pulire i contatti di ricarica della base e del robot.
Il robot non può tornare alla base	Ci sono troppe ostruzioni intorno alla base. Posizionarla in un'area più aperta. Pulire l'area di segnalazione della base. Lo spostamento del robot potrebbe causare il riposizionamento o la mappatura dell'ambiente circostante. Se il robot è troppo lontano dalla base, potrebbe non essere in grado di tornare automaticamente da solo, nel qual caso è necessario posizionarlo manualmente sulla base.
Il robot non funziona bene	Spegnerlo e riaccendere il robot.
Il robot fa uno strano rumore	Potrebbe essersi incastrato un oggetto estraneo in una delle spazzole o in una delle rotelle principali. Spegnerlo e rimuovere eventuali residui.
Il robot non pulisce più con la stessa efficienza di prima o lascia polvere dietro di sé	Il contenitore raccogli-polvere è pieno. Pulire il contenitore e la porta di raccolta della polvere. Il filtro è intasato. Pulirlo. Un oggetto estraneo si è incastrato nella spazzola principale. Eliminarlo.

Problemi comuni

Problema	Soluzione
Il robot non riesce a collegarsi al Wi-Fi	La connessione Wi-Fi potrebbe non essere stabile. Resettare il Wi-Fi e scaricare l'ultima versione dell'app Dreamehome, poi provare a riconnetterti. L'accesso alla posizione non è stato autorizzato. Assicurarsi che l'accesso alla posizione sia stato autorizzato sull'app Dreamehome. Il segnale Wi-Fi è troppo debole. Assicurarsi che il robot sia in una zona coperta dal segnale Wi-Fi. La frequenza 5 Ghz del Wi-Fi non è supportata. Assicurarsi che il robot sia connesso alla banda Wi-Fi 2.4 Ghz. Il nome utente o la password del Wi-Fi non sono corretti. Assicurarsi di aver inserito le informazioni corrette.
Il robot non effettua la pulizia programmata	Il robot ha la batteria bassa. La pulizia programmata non inizierà a meno che il robot non abbia almeno il 15% di batteria residua.
Lasciare il robot sulla base consuma energia se è già completamente carico?	Lasciare il robot sulla base dopo che è completamente carico consuma pochissima elettricità e aiuta a mantenere le prestazioni ottimali della batteria.
Dal modulo di lavaggio non esce acqua o ne esce poca	Verificare che nel serbatoio d'acqua ci sia acqua. Pulire il panno se diventa stroppo sporco. Accertarsi che il panno di lavaggio sia installato correttamente facendo riferimento al manuale d'uso. Si raccomanda una pulizia sistematica del foro d'aria sul coperchio del serbatoio d'acqua.
Il robot non riprende automaticamente la pulizia dopo essersi ricaricato	Accertarsi che il robot non sia impostato sulla modalità ND (Non disturbare) che ne impedisce la ripresa della pulizia. Il robot non riprende la pulizia automaticamente quando viene ricaricato manualmente o posizionato sulla base.

Problemi comuni

Problema	Soluzione
Il robot ritorna alla base senza eseguire le attività di raccolta della polvere	La modalità Non disturbare impedisce al robot di eseguire automaticamente l'attività di raccolta della polvere.
Il sacchetto di polvere è pieno	Verificare se il sacchetto di polvere è pieno. In tal caso, sostituirlo con uno nuovo. Si consiglia di sostituire il sacchetto ogni 8-10 settimane. In caso contrario, controllare se la porta di raccolta della polvere o il condotto dell'aria nella parte inferiore della base sia ostruito. Rimuovere qualsiasi blocco prima dell'uso.
A volte il tempo di raccolta della polvere sarà più lungo	Quando il robot ha eseguito attività di raccolta della polvere per un periodo di tempo o quando il condotto dell'aria non funziona correttamente, la durata della raccolta della polvere verrà estesa per prevenire il blocco.
Il coperchio superiore della base non si chiude	Verificare se è installato un sacchetto di polvere. In caso contrario, installarne uno.

Per servizi aggiuntivi, per favore contattaci tramite aftersales@dreame.tech

Sito web: <https://global.dreametech.com>

Specifiche tecniche

Robot

Modello	RLS6AD
Tempo di ricarica	Circa 6 ore
Tensione nominale	14,4 V \approx
Potenza nominale	46 W
Frequenza d' esercizio	2400-2483,5 MHz
Potenza in uscita massima	< 20 dBm

Base auto-vuota

Modello	RCS2
Ingresso nominale	220-240 V~ 50-60 Hz
Uscita nominale	19,8 V \approx 1 A
Potenza nominale	800 W

In condizioni d'uso normali, questa apparecchiatura deve essere tenuta a una distanza minima di 20 cm tra l'antenna e il corpo dell'utente.

Scatola	Manuale	Manuale	Pellicola	Pellicola	Borsa	Maniglia	Pellicola
PAP 20	PAP 21	PAP 22	PVC 3	PET 1	CPE 7	PE 4/PP 5	PP 5
Carta			Plastica				
RACCOLTA DIFFERENZIATA							
Verifica le disposizioni del tuo Comune. Separa le componenti e conferiscile in modo corretto.							

Smaltimento e Rimozione della Batteria

La batteria incorporata agli ioni di litio contiene sostanze pericolose per l'ambiente. Prima di smaltire la batteria, assicurati che la batteria sia rimossa da tecnici qualificati e smaltita presso un centro di riciclaggio appropriato.

- la batteria deve essere rimossa dall'apparecchio prima che sia rottamata;
- l'apparecchio deve essere scollegato dalla rete di alimentazione al momento della rimozione della batteria;
- la batteria deve essere smaltita in modo sicuro.

ATTENZIONE:

- Prima di rimuovere la batteria, scollega l'alimentazione ed esaurisci la batteria il più possibile.
- Le batterie non necessarie devono essere smaltite presso un centro di riciclaggio appropriato.
- Non esporre ad ambienti ad alta temperatura per evitare rischi di esplosione.
- In condizioni abusive, il liquido potrebbe essere espulso dalla batteria. In caso di contatto, sciacqua con acqua e consulta un medico.

Informazioni RAEE



Tutti i prodotti contrassegnati da questo simbolo sono rifiuti di apparecchiature elettriche ed elettroniche (RAEE in base alla direttiva 2012/19/UE) che non devono essere smaltiti assieme a rifiuti domestici non differenziati. Al contrario, è necessario proteggere l'ambiente e la salute umana consegnando i rifiuti a un punto di raccolta autorizzato al riciclaggio di rifiuti di apparecchiature elettriche ed elettroniche, predisposto dalla pubblica amministrazione o dalle autorità locali. Lo smaltimento e il riciclaggio corretti aiutano a prevenire conseguenze potenzialmente negative all'ambiente e alla salute umana. Contattare l'installatore o le autorità locali per ulteriori informazioni sulla sede e per i termini e le condizioni di tali punti di raccolta.

Guida alla Rimozione

1. Capovolgi il robot, usa uno strumento adeguato per rimuovere le viti sul retro del robot, quindi rimuovi il coperchio.
2. Scollega i terminali tra la batteria e la scheda PCB per rimuovere la batteria.

Información de seguridad

Para evitar descargas eléctricas, incendios o lesiones causadas por uso inadecuado del aparato, lea atentamente el manual del usuario antes de utilizar el aparato y guárdelo para futuras consultas.

Restricciones de uso

- Este producto no debe ser utilizado por niños menores de 8 años ni por personas con deficiencias físicas, sensoriales o intelectuales, o experiencia o conocimientos limitados, sin la supervisión de un progenitor o un tutor legal que pueda garantizar un funcionamiento seguro y evitar riesgos. La limpieza y el mantenimiento no deben ser realizados por menores sin supervisión.
- Este producto no es un juguete. Asegúrese de que tanto niños como mascotas mantienen una distancia de seguridad mientras esté en funcionamiento.
- Este producto es solo apto para la limpieza de suelos del hogar. No lo utilice en exteriores, en otro tipo de superficies ni en un entorno comercial o industrial.
- Si se daña o se rompe el cable de alimentación, deje de usarlo inmediatamente y póngase en contacto con el servicio posventa.
- No use el robot en zonas con desnivel sin una barrera protectora.
- No coloque el robot boca abajo. No utilice la cubierta del SLD, la cubierta del robot o el parachoques como asa para mover el robot.
- No use el robot si la temperatura ambiente es superior a los 40°C o inferior a los 0°C, o si hay líquidos o sustancias pegajosas en el suelo.
- Recoja cualquier cable del suelo antes de usar el robot para evitar que se dañen durante la limpieza.
- Recoja objetos frágiles o pequeños del suelo para evitar que el robot los succione y los dañe.
- Para evitar daños por arrastre, por favor quite cualquier objeto suelto del piso y guarde los cables en la ruta de limpieza antes de operar el aparato.

Información de Seguridad

Restricciones de uso

- Evite que el pelo, los dedos o cualquier otra parte del cuerpo entre en contacto con la zona de succión del robot.
- Mantenga el cepillo de limpieza fuera del alcance de los niños.
- No coloque niños, mascotas ni cualquier objeto encima del robot si este se encuentra estacionado o en movimiento.
- No use el robot para limpiar sustancias tóxicas o inflamables. No utilice el robot para recoger líquidos inflamables o combustibles, gases corrosivos o ácidos o disolventes sin diluir.
- No aspire objetos duros o afilados. No utilice el aparato para recoger objetos como piedras, trozos de papel grandes o cualquier elemento que pueda obstruir el aparato.
- Antes de limpiar el robot o realizar labores de mantenimiento, asegúrese de que está apagado y la base de vaciado automático desconectada.
- No utilice un paño húmedo ni ningún líquido para limpiar o enjuagar el robot o la base. Las piezas lavables deben secarse completamente antes de ser instaladas y utilizadas.
- Asegúrese de que el robot esté apagado cuando lo transporte y guárdelo en su embalaje original si es posible.
- Use este producto de acuerdo con las instrucciones del manual. Los usuarios son responsables de cualquier pérdida o daño debidos a un uso no adecuado del producto.

Baterías y carga

- No utilice baterías, cargadores, ni base de vaciado automático de terceros. Usar sólo con la unidad de alimentación RCS2.

Información de Seguridad

Baterías y carga

- No intente desarmar, reparar ni modificar la batería o la base de vaciado automático por su propia cuenta.
- No coloque la base de vaciado automático cerca de una fuente de calor.
- No utilice un paño húmedo ni las manos mojadas para limpiar los contactos de carga de la base.
- No deseche las pilas usadas de forma inadecuada. Las baterías que ya no se necesiten deben desecharse en una instalación de reciclaje adecuada.
- Si no va a utilizar el robot durante un largo periodo de tiempo, cárguelo completamente, apáguelo y guárdelo en un lugar fresco y seco. Recargue el robot al menos una vez cada 3 meses para evitar la sobredescarga de la batería.
- Este producto contiene baterías que solo pueden ser reemplazadas por técnicos cualificados o por el servicio posventa.

Información de seguridad del láser

- El sensor láser de este producto cumple con el Estándar IEC 60825-1: 2014 para productos láser de Clase 1. Evite el contacto directo con los ojos al usarlo.

Descripción general del producto

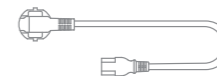
Accesorios



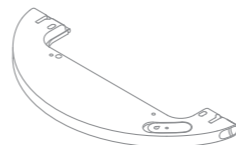
Herramienta de limpieza



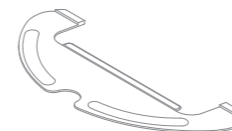
Cepillo lateral



Cable de Alimentación



Depósito de agua



Mopa



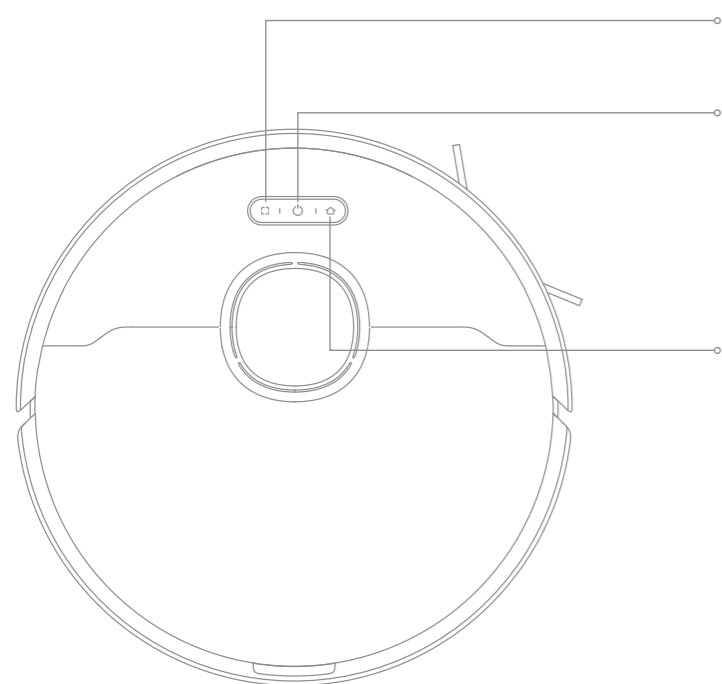
Bolsa Recolectora de Polvo (repuesto)



Base de vaciado automático

Descripción general del producto

Robot



Botón de Limpieza Localizada
· Presione brevemente para iniciar la limpieza localizada

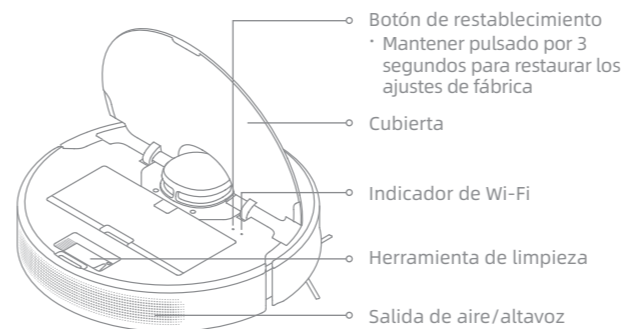
Botón de encendido/limpieza
· Mantenga pulsado durante 3 segundos para encender o apagar
· Presione brevemente para que el robot comience a limpiar después de encenderse

Botón de Atraque
· Pulsar para enviar el robot de vuelta a la base de vaciado automático
· Mantenga presionado durante 3 segundos para desactivar el bloqueo infantil

Indicador de estado
· Blanco: Limpiando o limpieza completada
· Naranja intermitente: Error
· Azul: Monitoreo por cámara habilitado

Descripción general del producto

Robot



Botón de restablecimiento
· Mantener pulsado por 3 segundos para restaurar los ajustes de fábrica

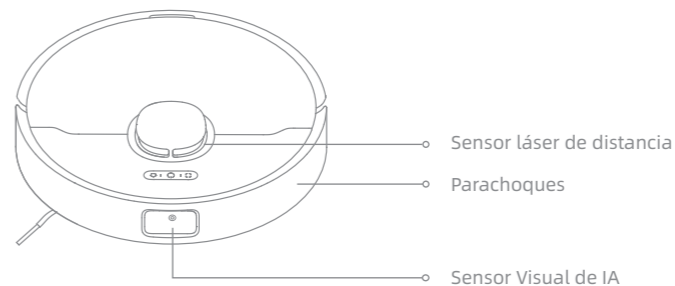
Cubierta

Indicador de Wi-Fi

Herramienta de limpieza

Salida de aire/altavoz

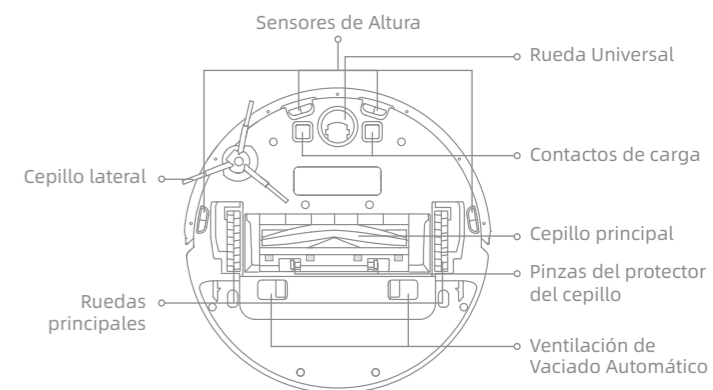
Sensores del robot



Sensor láser de distancia

Parachoques

Sensor Visual de IA



Sensores de Altura

Rueda Universal

Contactos de carga

Cepillo principal

Pinzas del protector del cepillo

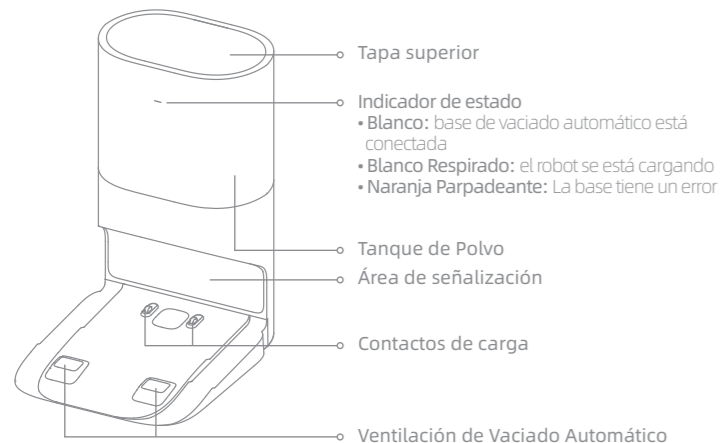
Ventilación de Vaciado Automático

Cepillo lateral

Ruedas principales

Descripción general del producto

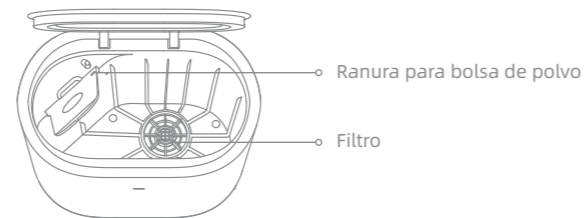
Base de vaciado automático



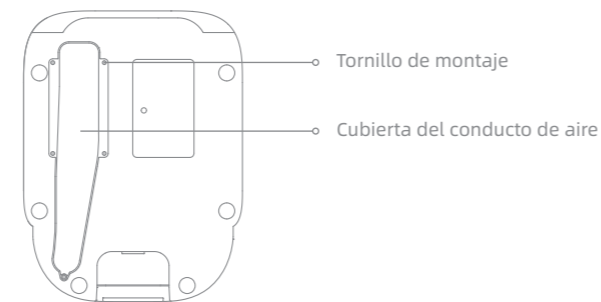
Posterior



Abra la cubierta superior

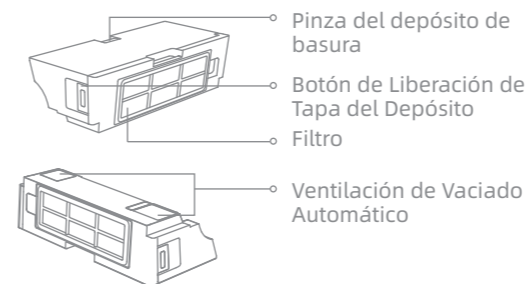


Inferior

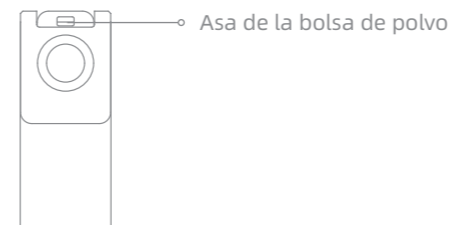


Descripción general del producto

Depósito de polvo

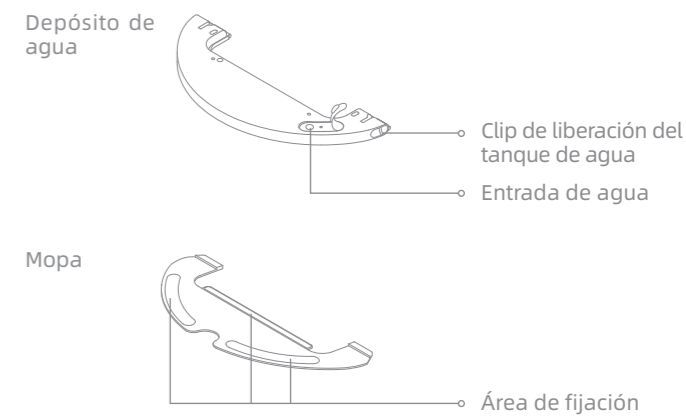


Bolsa Recolectora de Polvo



Nota: De acuerdo con la configuración de fábrica, se ha instalado una nueva bolsa de recolección de polvo en el interior.

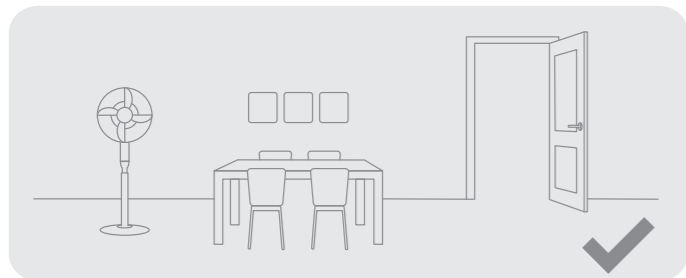
Módulo de fregado



Preparando Su Hogar



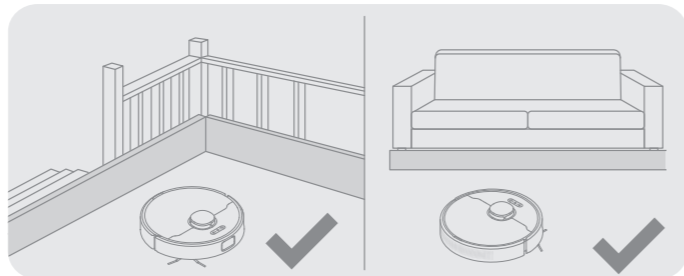
Ordene elementos como cables de alimentación, ropa, zapatillas y juguetes para mejorar la eficiencia del robot.



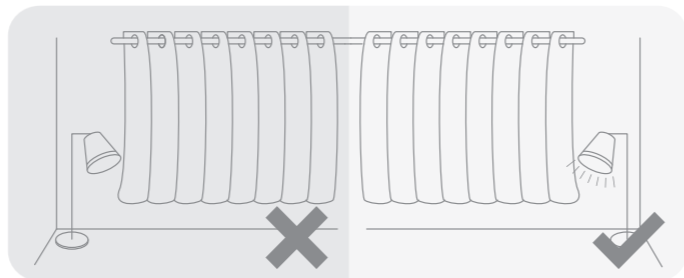
Abra la puerta de la habitación que va a limpiar y coloque los muebles en el lugar apropiado para hacer más espacio.

Nota:

- Cuando utilice el robot por primera vez, sígalo mientras realiza limpieza para quitar cualquier obstáculo potencial de inmediato.
- Para evitar que el robot no reconozca el área a limpiar, no permanezca de pie delante del robot, en el umbral, el pasillo o lugares estrechos.



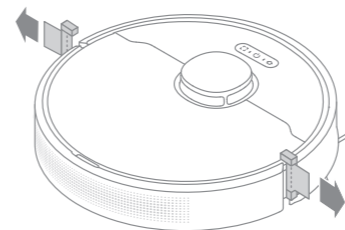
Antes de que empiece a limpiar, utilice la barrera física en el borde de las escaleras y el sofá para garantizar un funcionamiento seguro y fluido del aspirador robot.



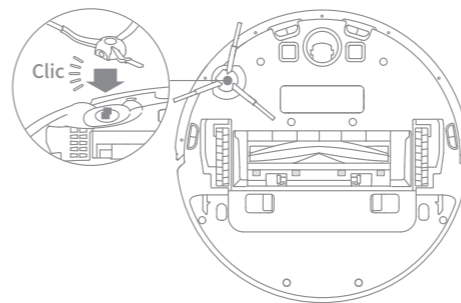
Con el sensor visual IA, el robot puede reconocer y mejor evitar obstáculos como cables de alimentación, zapatos y calcetines. Para aprovechar al máximo el sensor visual IA, asegúrese de que todas las áreas a limpiar estén bien iluminadas.

Antes de Usar

1. Quite las tiras protectoras



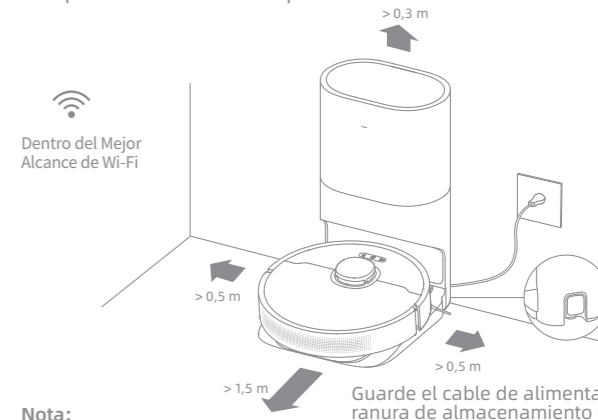
2. Instale el cepillo lateral



Nota: Instale el cepillo lateral hasta que encaje en su lugar.

3. Conéctelo a una toma de corriente

Coloque la base en un suelo nivelado contra la pared y conecte a la fuente de alimentación. Coloque el robot en la base para recargar la batería. El robot se encenderá automáticamente y la batería comenzará a cargar. Se recomienda cargar la batería completamente antes del primer uso.



Nota:

- Asegúrese de que haya una distancia de 0,5 metros o más por cada lado de la base, y más de 1,5 metros enfrente.
- Asegúrese de que ningún objeto bloquee el área de señalización.

Acerca de la base de vaciado automático

Se recomienda que el robot parta desde la base al empezar de la limpieza. Esto asegura que el robot regrese a la base sin problemas. No mueva la base mientras el robot está limpiando.

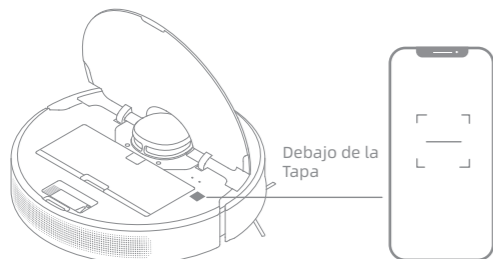
Una vez que el robot completa la tarea de limpieza y vuelve automáticamente a la base, la base comenzará el vaciado automático. Se pueden operar más configuraciones en la aplicación.

Conecte con la aplicación Dreamehome

Este producto funciona con la aplicación Dreamehome, que puede utilizarse para controlar su dispositivo.

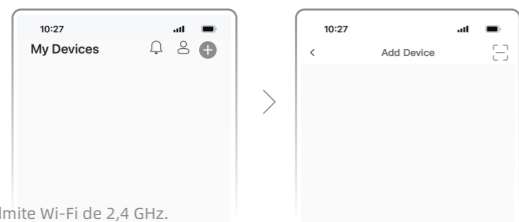
1. Descarga la aplicación Dreamehome

Escanee el código QR en el robot o busque "Dreamehome" en la tienda de aplicaciones para descargar e instalar la aplicación según sus necesidades.



2. Añadir dispositivo

Abra Dreamehome, toque "+" en la esquina superior derecha y escanee el código QR de arriba nuevamente para agregar "DreameBot D10s Plus". Siga las indicaciones para terminar la conexión Wi-Fi.

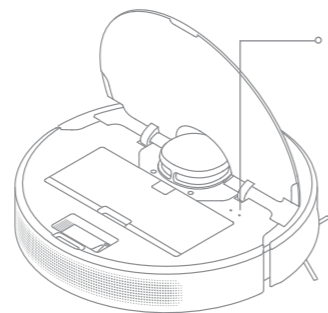


Nota:

- Solo admite Wi-Fi de 2,4 GHz.
- El software de la aplicación se está actualizando, las operaciones actuales pueden ser diferentes de las instrucciones en este manual. Siga las instrucciones basadas en la versión más nueva de la aplicación.

3. Restablecer Wi-Fi

Al mismo tiempo, mantenga pulsado los botones y hasta que escuche una voz diciendo «Esperando configuración de red». Cuando el indicador parpadee lentamente, el Wi-Fi se habrá restablecido correctamente.



Indicador de Wi-Fi

- Parpadea lentamente: Esperando conexión
- Parpadea rápidamente: Conectando
- Encendida: Conectado

Nota: Cuando el teléfono no se conecta correctamente al robot, reinicie el Wi-Fi y añada de nuevo el dispositivo.

Modo de uso

1. Mapeo Rápido

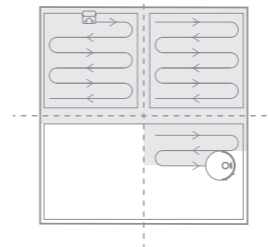
Después de configurar la red por primera vez, siga las instrucciones de la aplicación para crear rápidamente un mapa y el robot comenzará a mapear sin limpiar. Cuando el robot regresa a la base, el proceso de mapeo se habrá completado y el mapa se guardará automáticamente.

2. Encender/apagar

Mantenga presionado el botón durante 3 segundos para encender el robot, y el indicador de encendido lucirá permanentemente. Coloque el robot en la base, y el robot se encenderá automáticamente y comenzará a cargarse. Para apagar el robot, aleje el robot de la base y mantenga presionado el botón durante 3 segundos.

3. Comenzar Limpieza

Presione el botón brevemente para comenzar la limpieza después de encender el robot. A continuación, el robot generará con precisión una ruta, limpiará metódicamente a lo largo de los bordes y las paredes, y luego terminará limpiando cada habitación en un patrón en forma de S para garantizar una limpieza minuciosa.



4. Pausa / Dormir

Cuando el robot esté funcionando, presione cualquier botón para pausarlo. Si el robot se encuentra en pausa durante más de 10 minutos, entra automáticamente en modo de suspensión. Todos los indicadores del robot se apagaran. Apriete cualquier botón en el robot o utilice la aplicación para despertarlo.

Nota:

- El robot se apagará automáticamente si se mantiene en modo Suspensión durante más de 12 horas.
- Cuando el robot esté parado, colocarlo en la base finalizará la tarea de limpieza actual.

5. Modo No Molestar (DND)

Cuando el robot se encuentra en el modo No Molestar (DND), se prohibirá que el robot reanude la limpieza, y el indicador de encendido se apagará. El modo DND está deshabilitado de forma predeterminada en la fábrica. Puede utilizar la aplicación para habilitar el modo DND o modificar el período DND. El período DND es de 22:00 a 8:00 de forma predeterminada.

Nota:

- Las tareas de limpieza programadas se realizarán a tiempo durante el período DND.
- El robot reanudará la limpieza no finalizada después de que expire el período DND.

6. Limpieza Localizada

Cuando el robot está en espera, presione brevemente el botón para habilitar el modo de limpieza de manchas. En este modo, el robot limpia un área de forma cuadrada de 1,5 x 1,5 metros a su alrededor y vuelve a su punto de partida una vez que se completa la limpieza de manchas.

Modo de uso

7. Limpieza programada

Puede programar el horario de limpieza en la aplicación Dreamehome. El robot comenzará a limpiar automáticamente a la hora designada y luego regresará a la base para recargarse al terminar la limpieza.

8. Más Funciones de la Aplicación

Siga las instrucciones de la interfaz de la aplicación para usar más funciones. Puede que se haya actualizado la versión de la aplicación, siga las instrucciones de acuerdo con la versión actual.

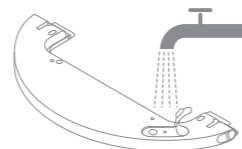
9. Usar la función de fregado

Se recomienda aspirar todos los suelos al menos tres veces antes de la primera sesión de fregado para obtener un mejor resultado de limpieza.

1) Humedezca la almohadilla trapeadora y exprima el agua excesiva. Instale la mopa como se muestra en el diagrama.



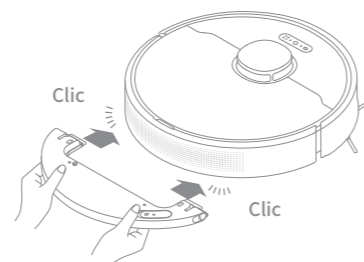
2) Llene el tanque con agua.



Nota:

- No utilice detergentes o desinfectantes.
- No llene con agua caliente, lo que puede causar la distorsión del depósito de agua.

3) Inserte el módulo de fregado en paralelo, como indica la flecha, y deslícelo en la parte trasera del robot hasta que encaje. Pulse el botón (Clic), o puede utilizar la aplicación Dreamehome para empezar la limpieza.



Nota:

- No se recomienda usar la función de fregado en alfombras.
- Use la aplicación para ajustar el flujo de agua.

Mantenimiento rutinario

Piezas

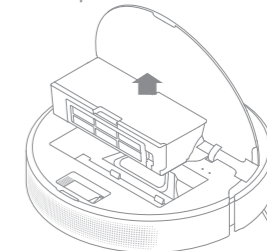
Para mantener el robot en buenas condiciones, se recomienda consultar la siguiente tabla para conocer el mantenimiento de rutina.

Piezas	Frecuencia de Mantenimiento	Frecuencia de Reemplazo
Almohadilla Trapeadora	Después de cada uso	Cada 3 a 6 meses
Cepillo principal	Una vez cada 2 semanas	Cada 6 a 12 meses
Filtro de Depósito de Polvo		Cada 3 a 6 meses
Cepillo lateral		
Área de señalización de la base de vaciado automático	Una vez al mes	/
Contactos de carga		
Ventilación de Vaciado Automático		
Rueda Universal		
Sensor láser de distancia		
Sensor Visual de IA		
Sensores de Altura		
Depósito de agua	Límpielo cuando sea necesario	/
Depósito de polvo		
Bolsa Recolectora de Polvo	/	8-10 semanas

Nota: La frecuencia de reemplazo dependerá de su uso del robot. Si ocurre una excepción debido a circunstancias especiales, las piezas deben ser reemplazadas.

Contenedor de polvo y filtro

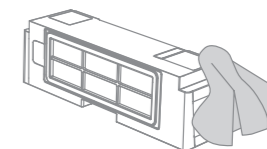
1. Abra la cubierta del robot y presione la hebilla del depósito de basura para retirar el depósito.



2. Abra la cubierta del depósito y vacíelo como se muestra en el diagrama.

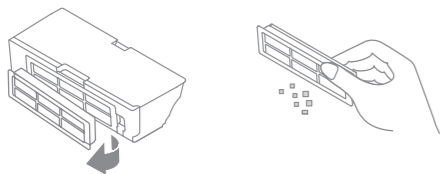


3. Limpiar el conducto de vaciado automático.



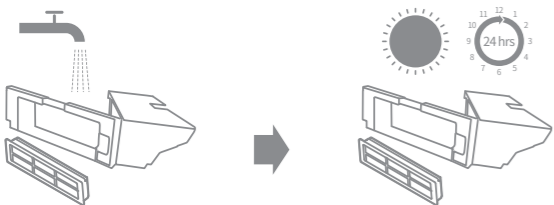
Mantenimiento rutinario

4. Retire el filtro y golpee suavemente su canasta.



Nota: No intente limpiar el filtro con cepillo, dedo u objetos afilados para evitar daños.

5. Enjuague el depósito de polvo y el filtro con agua y séquelos completamente antes de volver a instalarlos.

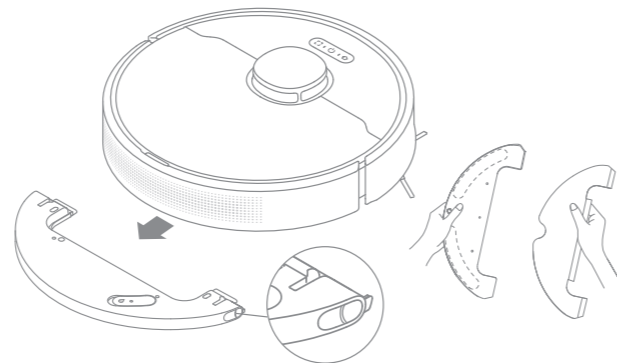


Nota:

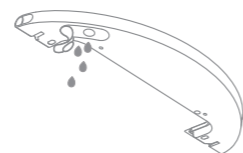
- Enjuague el depósito de basura y el filtro únicamente con agua limpia, no utilice detergente.
- Utilice el depósito de basura y el filtro sólo cuando están completamente secos.

Limpiar el módulo de limpieza

1. Deslice las dos hebillas de liberación en el costado del tanque de agua para quitar el módulo de trapeado y luego saque la mopa del módulo de trapeado.



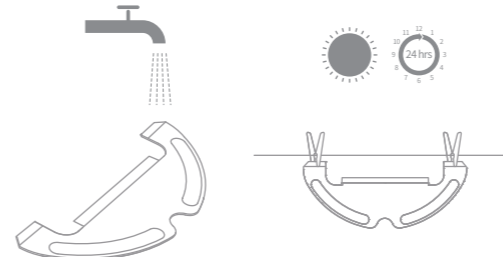
2. Vacíe el agua del tanque de agua. Limpie sólo con agua y deje secar al aire antes de volver a instalar.



Nota: No exponga el tanque directamente al sol.

Mantenimiento rutinario

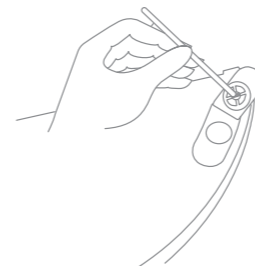
3. Limpie la mopa sólo con agua y deje secar al aire antes de volver a instalar.



Nota:

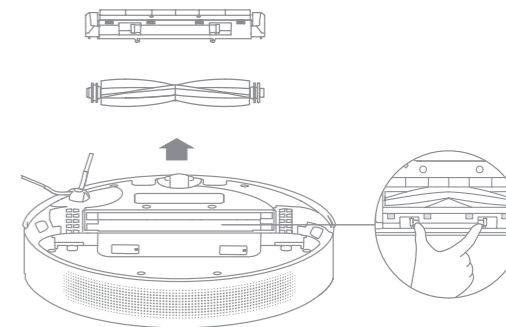
- Extraiga la mopa del módulo de fregado antes de limpiarla. Asegúrese de que el agua sucia no vuelva a entrar por la salida de agua para que no se obstruya.

4. Si el flujo de agua es lento, o el volumen no está bien distribuido, limpie el orificio ventilador de la tapa del tanque de agua.

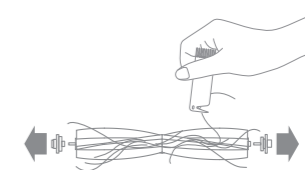


Limpiar el cepillo principal

1. Presione las hebillas del protector del cepillo hacia adentro para quitar el protector del cepillo y sacar el cepillo del robot.



2. Retire la tapa de cepillo como se muestra en el diagrama. Utilice la herramienta de limpieza provista para eliminar los pelos enredados en el cepillo.

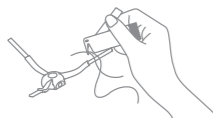


Nota: Si hay una gran cantidad de cabello o este está muy enredado, retírelo cuidadosamente para evitar dañar el cepillo principal.

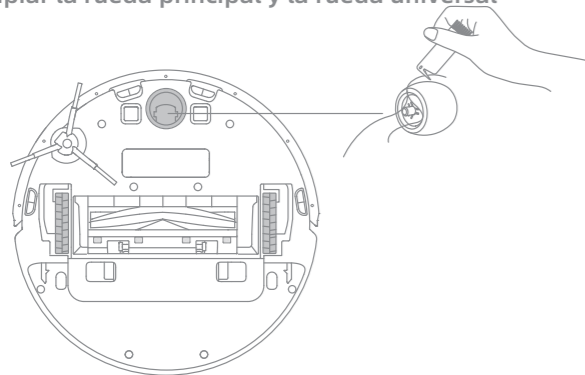
Mantenimiento rutinario

Limpiar el cepillo lateral

Saque el cepillo lateral y utilice la herramienta de limpieza incluida para quitar los pelos enredados en el cepillo.



Limpiar la rueda principal y la rueda universal

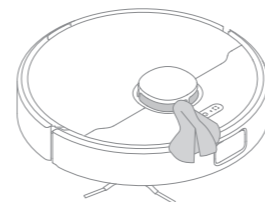


Nota: Utilice una herramienta como un destornillador pequeño para separar el eje y el neumático de la rueda universal.

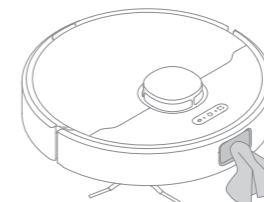
Mantenimiento rutinario

Nota: Use un paño de cocina seco para realizar la limpieza, ya que el robot y la base interna tienen elementos sensibles. No use un paño húmedo para evitar que el agua provoque daños.

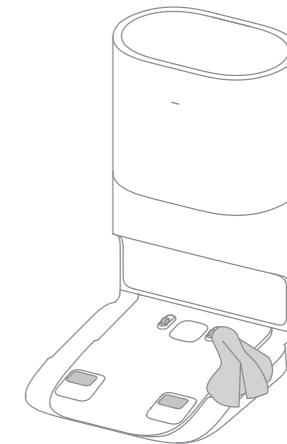
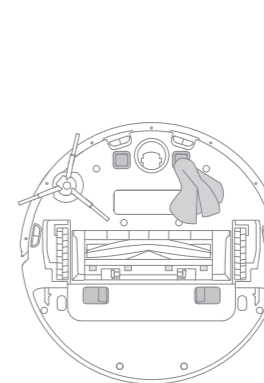
Limpiar el sensor láser LDS



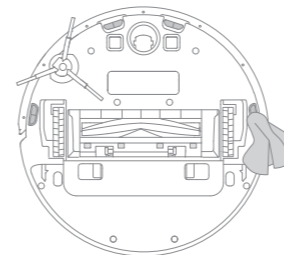
Limpiar el Sensor Visual de IA



Limpiar los contactos de carga y conductos de vaciado automático



Limpiar el Sensor de Altura

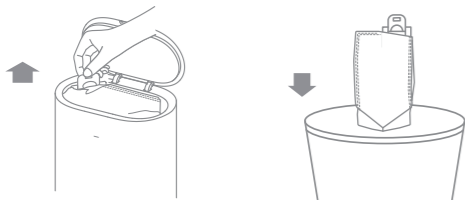


Mantenimiento rutinario

Reemplace la bolsa recolectora de polvo

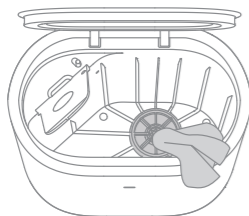
De acuerdo con el indicador de estado (naranja parpadeante) y las indicaciones de la aplicación, reemplace la bolsa recolectora de bolsa por una nueva cuando esté llena.

1. Deseche la bolsa recolectora de polvo.

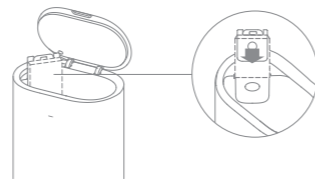


Nota: Cuando saque la bolsa recolectora de polvo, cierre el asa de la bolsa para evitar que el polvo se escape.

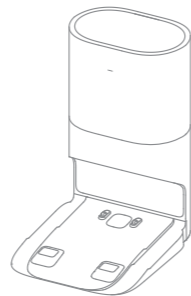
2. Limpie el filtro con un paño seco.



3. Instale una nueva bolsa recolectora de polvo.



4. Cierre la tapa superior de la base de vaciado automático.



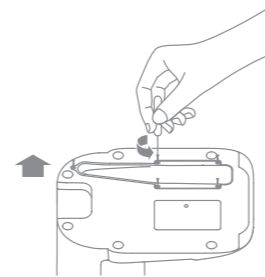
Nota: NO cierre la base a la fuerza si la cubierta superior de la base no se cierra y la bolsa recolectora de polvo no está instalada.

Mantenimiento rutinario

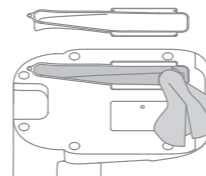
Limpie el conducto de aire

Si el conducto de aire está bloqueado, límpielo de acuerdo con los siguientes pasos.

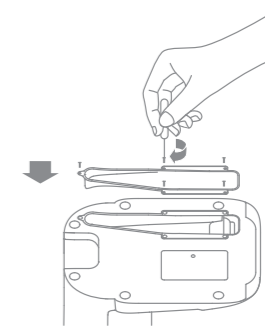
1. Desatornille los tornillos de montaje de la cubierta del conducto de aire y retire la placa de cubierta.





2. Compruebe si el conducto de aire está bloqueado por objetos extraños. Quítelos si los hay.



3. Vuelva a instalar la cubierta del conducto de aire como se muestra en el diagrama.



Reinicio de Robots

Si el robot deja de responder o no se puede apagar, mantenga presionado el botón  durante 10 segundos para forzarlo a apagarse. Luego, mantenga presionado el botón  durante 3 segundos para encender el robot.

Batería

El robot contiene una batería de iones de litio de alto rendimiento. Asegúrese de que permanezca bien cargada durante el uso diario para que mantenga un rendimiento óptimo. Si el robot no se utiliza durante un largo periodo de tiempo, apáguelo y guárdelo. Para evitar daños por descarga, debería recargar el robot una vez cada tres meses.

Preguntas más frecuentes

Tipo de problema	Solución
El robot no se enciende	La batería está baja. Recargue el robot en la base y vuelva a intentarlo. La temperatura de la batería está demasiado baja o demasiado alta. Se recomienda operar el aparato a una temperatura entre 32 °F (0°C) y 104 °F (40°C).
El robot no se recarga	La base no tiene energía. Confirme que ambos extremos del cable de alimentación estén conectados correctamente. Contacto malo. Limpie los contactos de carga de la base y el robot.
El robot no puede regresar a la base	Hay demasiadas obstrucciones alrededor de la base. Coloque la base en un área más abierta. Limpie el área de señalización de la base. Mover el robot puede causar que se reubique o vuelva a mapear sus alrededores. Si el robot está demasiado lejos de la base, es posible que no pueda regresar automáticamente por sí solo, en cuyo caso deberá colocarlo manualmente en la base.
El robot no funciona adecuadamente	Apague el robot y vuelva a encenderlo.
El robot hace un ruido extraño	Un objeto extraño puede estar obstruyendo el cepillo principal, el cepillo lateral o alguna de las ruedas principales. Apague el robot y elimine la basura acumulada.
El robot no limpia de forma correcta o deja basura a su paso	El depósito de polvo está lleno. Limpie el depósito de polvo y la entrada de polvo. El filtro está obstruido. Debe limpiarlo. Un objeto extraño está obstruyendo el cepillo principal. Debe limpiarlo.

Preguntas más frecuentes

Tipo de problema	Solución
El robot no se conecta al Wi-Fi	Hay algún problema con la conexión Wi-Fi. Reinicie el Wi-Fi, descargue la última versión de Dreamehome App, e intente conectarlo de nuevo. El permiso de ubicación no está activado. Asegúrese de activar el permiso de ubicación en la aplicación Dreamehome. La señal Wi-Fi es débil. Asegúrese de que el robot se encuentra en una zona con una buena señal de Wi-Fi. No admite Wi-Fi de 5GHz. Asegúrese de conectar su robot a una red Wi-Fi de 2,4GHz. Nombre de usuario o contraseña del Wi-Fi incorrectos. Asegúrese de introducir el nombre de usuario y la contraseña correctos.
El robot no realiza la limpieza programada	El robot tiene la batería baja. La limpieza programada no comenzará si el robot no tiene al menos un 15% de batería restante.
¿Dejar el robot en la base de carga consume energía o no, si ya está completamente cargado?	Dejar el robot en la base de carga y recolección de polvo después de que esté completamente cargado consume muy poca electricidad y ayuda a mantener un rendimiento óptimo de la batería.
No sale agua del módulo de fregado o solo sale un poco de agua	Compruebe que el depósito de agua está lleno de agua y limpie la mopa si es necesario. Limpie la mopa si está sucia. Compruebe que la mopa está colocada correctamente, de acuerdo con el manual. Limpie el orificio del tanque de agua.
El robot no reanuda la limpieza a pesar de que tiene batería suficiente	Compruebe que el robot no se encuentre en modo No molestar. El robot no reanuda la limpieza cuando se recarga manualmente o coloca en la base.

Preguntas más frecuentes

Tipo de problema	Solución
El robot regresa a la base sin realizar tareas de recolección de polvo	El modo No molestar también impide que el robot realice automáticamente tareas de recolección de polvo.
La bolsa recolectora de polvo está llena	Compruebe si la bolsa recolectora de polvo está llena. Si lo está, reemplácelo por una nueva. Se recomienda reemplazar la bolsa cada 8-10 semanas. De lo contrario, compruebe si la entrada de polvo o el conducto de aire en la parte inferior de la base están bloqueados. Elimine cualquier bloqueo antes de usar.
A veces, la recolección de polvo tarda demasiado largo	Cuando el robot lleva un período de tiempo recolectando el polvo, o cuando el conducto de aire no funciona correctamente, la duración de la recolección de polvo se extenderá para evitar el bloqueo.
La cubierta superior de la base no se cerró	Compruebe si la bolsa recolectora de polvo está instalada. Si la hay, instale una.

Para servicios adicionales, póngase en contacto con nosotros a través de aftersales@dreame.tech

Sitio web: <https://global.dreametech.com>

Especificaciones

Robot

Modelo	RLS6AD
Tiempo de carga	Aprox.6 horas
Tensión nominal	14,4 V $\overline{\text{=}}$
Potencia nominal	46 W
Frecuencia de operación	2400-2483,5 MHz
Potencia máxima de salida	< 20 dBm

Base de vaciado automático

Modelo	RCS2
Entrada nominal	220-240 V~ 50-60 Hz
Salida nominal	19,8 V $\overline{\text{=}}$ 1 A
Potencia nominal	800 W

En condiciones normales de uso, este equipo debe mantenerse a una distancia de, al menos, 20 cm entre la antena y el cuerpo del usuario.

Extracción y Eliminación de Batería

La batería de iones de litio incorporada contiene sustancias que son peligrosas para el medio ambiente. Antes de desechar la batería, asegúrese de sean retiradas por técnicos calificados y que la deseche en una instalación de reciclaje adecuada.

- se debe quitar la batería del aparato antes de desecharlo;
- el aparato debe estar desconectado de la red de alimentación cuando se quita la batería;
- la batería debe desecharse de forma segura.

PRECAUCIÓN:

- Antes de quitar la batería, desconecte la alimentación y agote la batería tanto como sea posible.
- Las baterías quitadas deben desecharse en una instalación de reciclaje adecuada.
- No las exponga a alta temperatura para evitar riesgos de explosión.
- En condiciones ásperas, es posible que gotee líquido de la batería. Si ocurre contacto, enjuague con agua y busque ayuda médica.

Información sobre RAEE



Todos los productos que llevan este símbolo son residuos de aparatos eléctricos y electrónicos (RAEE según la directiva 2012/19/UE) que no deben mezclarse con residuos domésticos sin clasificar. En su lugar, debe proteger la salud humana y el medio ambiente entregando sus equipos de desecho a un punto de recogida para el reciclaje de residuos de equipos eléctricos y electrónicos, designado por el gobierno o las autoridades locales. La eliminación y el reciclado correctos ayudarán a evitar posibles consecuencias negativas para el medio ambiente y la salud humana. Póngase en contacto con el instalador o con las autoridades locales para obtener más información sobre la ubicación y las condiciones de dichos puntos de recogida.

Guía de Extracción

1. Voltee el robot, utilice una herramienta adecuada para quitar los tornillos en la parte posterior del robot y luego quite la tapa.
2. Desconecte los terminales entre la batería y la placa PCB para quitar la batería.

Информация по технике безопасности

Чтобы избежать поражения током, возгорания или травм, вызванных некорректным использованием прибора, перед началом работы внимательно прочтите инструкцию по эксплуатации. Сохраните ее для дальнейшего использования в качестве справки.

Ограничения на эксплуатацию

- Не допускается использование этого изделия детьми младше 8 лет, а также лицами с ограниченными физическими, сенсорными или умственными способностями или с ограниченным опытом или знаниями без присмотра родителя или опекуна для обеспечения безопасной эксплуатации и во избежание рисков. Не позволяйте детям осуществлять чистку и техническое обслуживание устройства без присмотра.
- Детям не следует играть с этим устройством. Убедитесь, что дети и животные находятся на безопасном расстоянии от робота во время работы.
- Это устройство предназначено только для очистки пола в домашних условиях. Не используйте его на открытом воздухе, на поверхностях без пола, а также в коммерческих или промышленных условиях.
- Если шнур питания поврежден или сломан, немедленно прекратите его использование и обратитесь в службу послепродажного обслуживания.
- Не используйте робот в областях, расположенных над полом, без защитного барьера.
- Запрещается переворачивать робота. Запрещается перемещать робота за крышку лазерного датчика расстояния, крышку робота или амортизатор.
- Не используйте робота в средах с температурой окружающей среды выше 40°C или ниже 0°C, а также на полу с жидкостями или липкими веществами.
- Уберите с пола провода перед использованием робота, чтобы он не тянул их во время уборки.

Информация по технике безопасности

Ограничения на эксплуатацию

- Уберите с пола хрупкие и мелкие предметы, чтобы робот не врезался в них и не повредил.
- Во избежание повреждения или нарушения работы устройства из-за волочения предметов перед его включением соберите все посторонние предметы с пола, а также уберите провода и кабели питания с пути движения устройства во время уборки.
- Не допускайте попадания волос, пальцев и других частей тела во всасывающее отверстие робота.
- Храните инструмент для чистки щетки в недоступном для детей месте.
- Не размещайте на роботе детей, животных и какие-либо предметы, независимо от того остановлен он или движется.
- Не используйте робот для уборки любых горящих веществ. Запрещается использовать робот для уборки воспламеняющихся или горючих жидкостей, агрессивных газов, неразбавленных кислот или растворителей.
- Не используйте робот для уборки твердых и острых предметов. Запрещается использовать прибор для уборки камней, крупных кусков бумаги и других предметов, которые могут застрять в приборе.
- Перед очисткой или ремонтом убедитесь, что робот выключен, а база для автоочистки отключена от розетки.
- Не протирайте робот и базу влажным полотенцем и не промывайте их жидкостью. Моющиеся элементы необходимо полностью просушить перед установкой на место и дальнейшим использованием.
- Перед транспортировкой убедитесь, что робот выключен, и по возможности храните его в оригинальной упаковке.
- Используйте это устройство согласно руководству пользователя. Пользователи несут ответственность за убытки и ущерб, возникшие из-за несоблюдения инструкций.

Информация по технике безопасности

Аккумулятор и зарядка

- Не используйте сторонний аккумулятор или базу для автоочистки. Используйте только с блоком питания RCS2.
- Не разбирайте, не ремонтируйте и не модифицируйте аккумулятор или базу для автоочистки самостоятельно.
- Не размещайте базу для автоочистки рядом с источником тепла.
- Не вытирайте и не очищайте зарядные контакты базы для автоочистки намоченным полотенцем или влажными руками.
- Не утилизируйте старые аккумуляторы ненадлежащим образом. Ненужные аккумуляторы следует сдавать в соответствующие пункты переработки.
- Если робот не будет использоваться в течение длительного периода, полностью зарядите его, отключите и храните в сухом прохладном месте. Во избежание чрезмерной разрядки аккумулятора заряжайте робот не реже одного раза в 3 месяца.
- Это устройство оснащено аккумуляторным блоком, который должны заменять только квалифицированные технические специалисты или специалисты отдела послепродажного обслуживания.

Техника безопасности при использовании лазера

- Лазерный датчик этого изделия соответствует стандарту IEC 60825-1: 2014 для лазерных изделий класса 1. Во время использования избегайте прямого контакта изделия с глазами.

Информация по технике безопасности

Меры предосторожности при хранении и транспортировке

- Продукт должен транспортироваться в упаковке. Не подвержайте продукт давлению или ударам во время транспортировки.
- Пожалуйста, избегайте сильных столкновений во время транспортировки.
- Не транспортируйте прибор при температуре выше 50 °C или ниже -20 °C.
- В течение короткого периода, например одного месяца, прибор рекомендуется хранить при температуре от -20 °C до 50 °C и относительной влажности 60 % ± 5 %. В течение длительного времени храните прибор при температуре окружающей среды от 0 °C до 40 °C.
- Утилизируйте прибор надлежащим образом. Когда его срок службы подойдет к концу, утилизируйте прибор в соответствии с местными законами и правилами страны или региона, в котором он используется.

Правила и условия реализации: без ограничений.

Импортер продает этот продукт; информацию об импортере см. на упаковке. Сведения об импортере и контактная информация отдела послепродажного обслуживания указаны на упаковке.

Дата изготовления: см. на упаковке

Срок службы продукции 3 лет.

Описание изделия

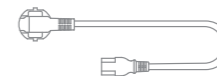
Аксессуары



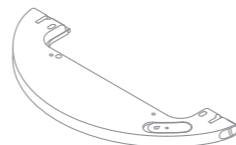
Чистящий инструмент



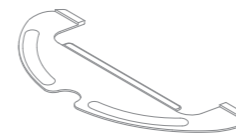
Боковая щетка



Кабель питания



Водяной бак



Швабра



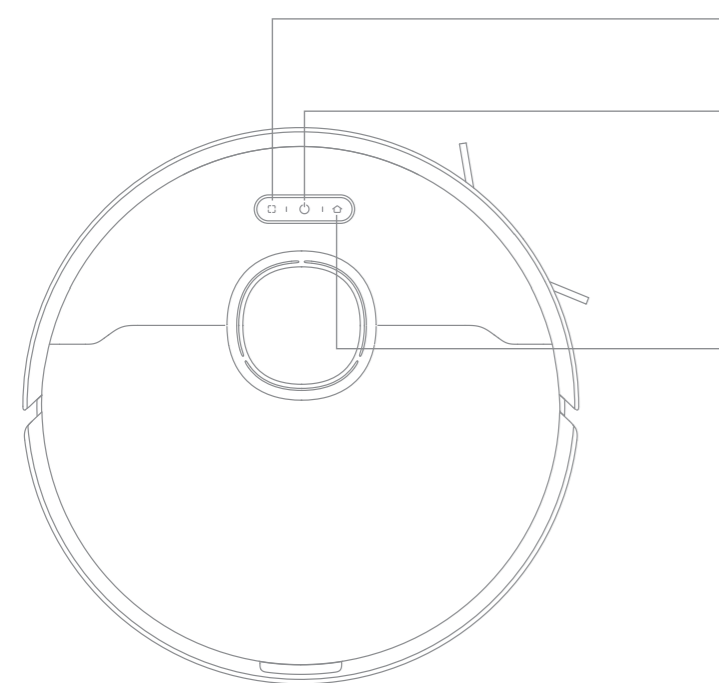
Мешок для пыли (сменный)



База для автоочистки

Описание изделия

Робот



Кнопка точечной уборки
· Нажмите на кнопку, чтобы начать точечную уборку

Кнопка питания/уборки
· Нажмите и удерживайте в течение 3 секунд, чтобы включить или выключить
· Нажмите, чтобы начать уборку после включения робота

Кнопка возврата
· Нажмите, чтобы отправить робота обратно на базу
· Нажмите и удерживайте в течение 3 секунд, чтобы выключить Детский блок

Индикатор состояния
· Белый (постоянный): идет уборка/уборка завершена
· Оранжевый (мигающий): сбой
· Синий: включен видеомониторинг

Описание изделия

Робот



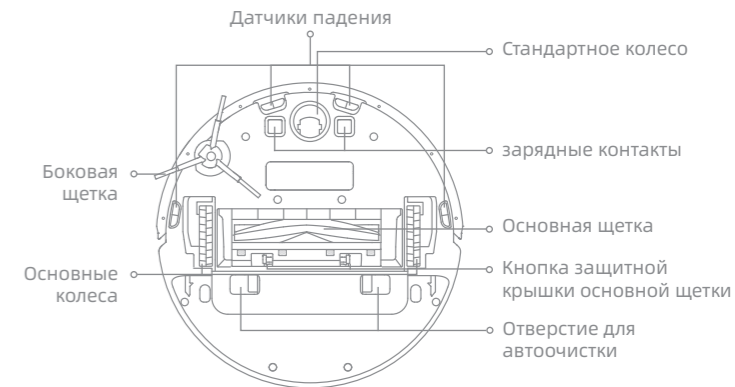
Кнопка сброса настроек
· Нажмите и удерживайте в течение 3 секунд, чтобы восстановить заводские настройки

Крышка

Индикатор Wi-Fi

Чистящий инструмент

Воздушное отверстие/
динамик



Датчики падения

Стандартное колесо

Боковая
щетка

зарядные контакты

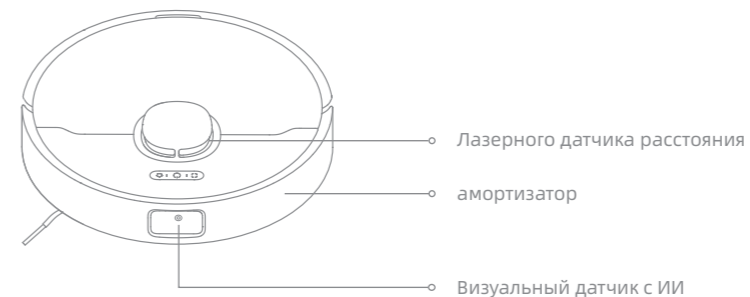
Основная щетка

Основные
колеса

Кнопка защитной
крышки основной щетки

Отверстие для
автоочистки

Датчики робота



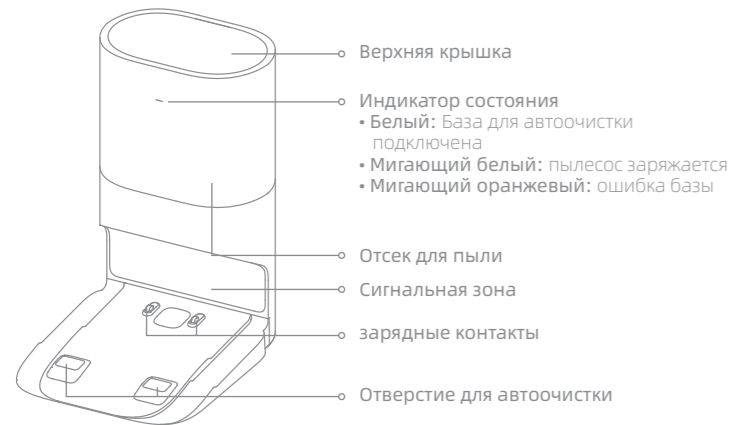
Лазерного датчика расстояния

амортизатор

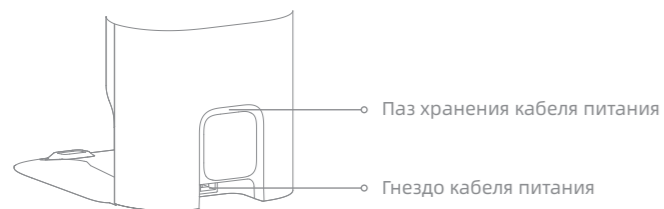
Визуальный датчик с ИИ

Описание изделия

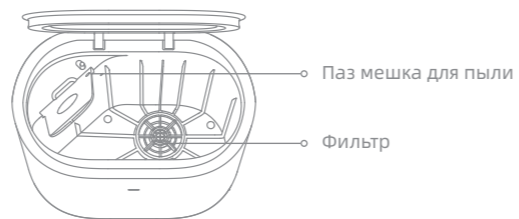
База для автоочистки



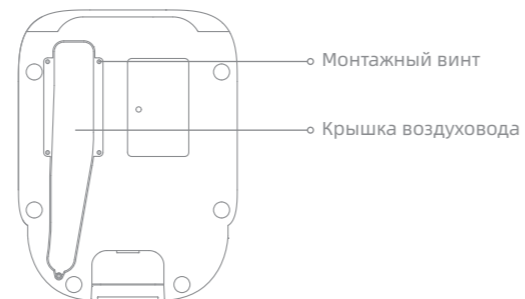
задняя



откройте верхнюю крышку

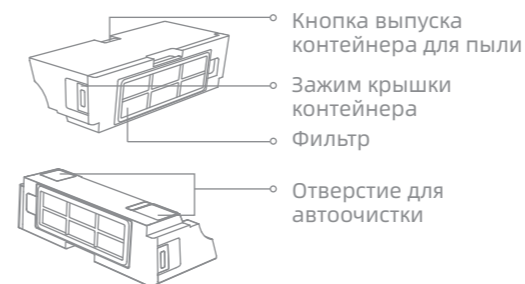


нижняя

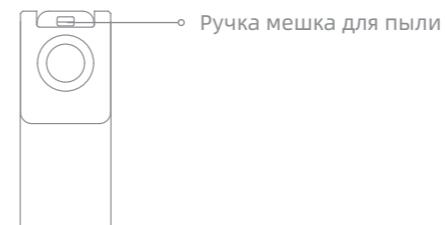


Описание изделия

Контейнер для пыли



Мешок для пыли



Примечание. В заводской комплектации уже установлен новый мешок для пыли.

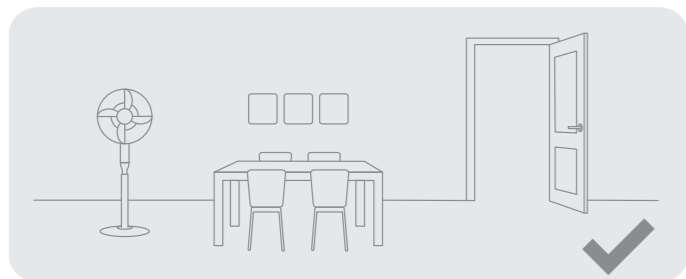
Модуль швабры



Подготовка дома



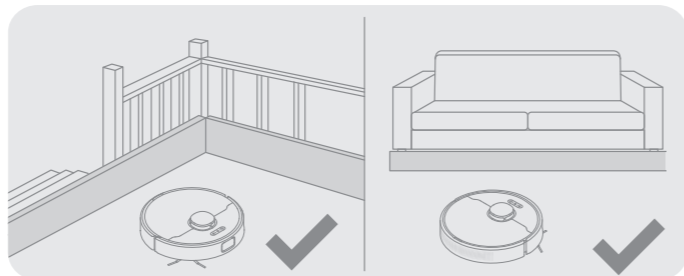
Уберите кабели питания, тканевые предметы, тапки и игрушки для повышения эффективности робота.



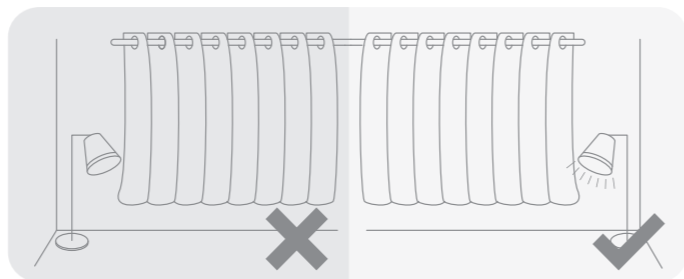
Откройте дверь помещения, в котором будет проводиться уборка, и расставьте мебель на правильные места, чтобы освободить больше пространства для уборки.

Примечание.

- При первом использовании робота присутствуйте во время уборки, чтобы вовремя убирать потенциальные препятствия с его пути.
- Не становитесь перед роботом, в дверном проеме и в узком проходе, чтобы робот мог корректно распознать зону предстоящей уборки.



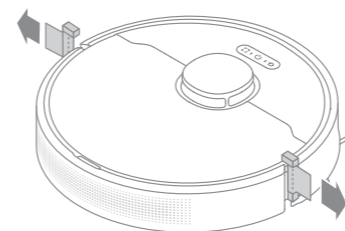
Перед уборкой установите физические барьеры у основания лестницы и рядом с диваном, чтобы обеспечить безопасность и бесперебойность работы пылесоса.



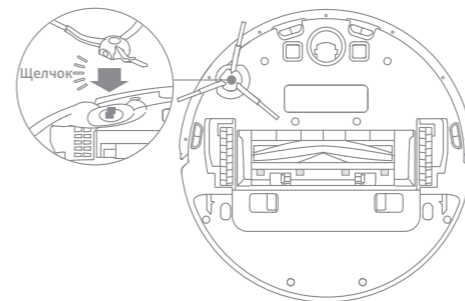
Робот может более эффективно распознавать препятствия и избегать их, например шнуры питания, обувь и носки, с помощью визуального датчика ИИ. Для гарантии наилучшей работы датчика убедитесь, что все зоны для уборки хорошо освещены.

Перед использованием

1. Удалите защитные элементы



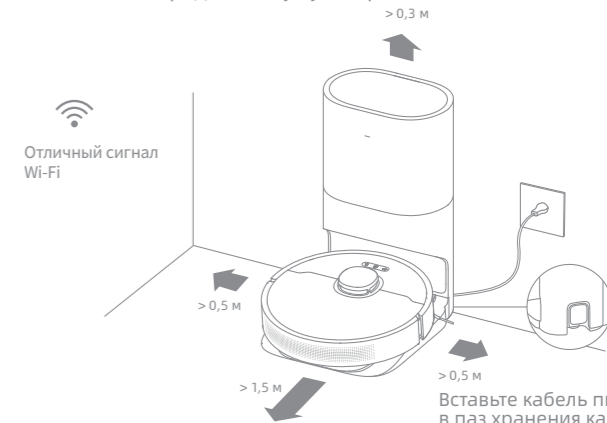
2. Установите боковую щетку



Примечание. Установите боковую щетку на место так, чтобы раздался щелчок.

3. Подключите базу к питанию и начните зарядку

Установите базу на ровную поверхность у стены и подключите к электропитанию. Установите пылесос на База для автоочистки для подзарядки. Пылесос автоматически включится и начнет подзарядку. Перед первым использованием рекомендуется полностью зарядить аккумулятор.



Примечание.

- Убедитесь, что на расстоянии 1,5 м спереди и 0,5 м от боковых сторон базы отсутствуют посторонние предметы.
- Убедитесь, что зона подачи сигнала свободна от посторонних объектов.

О База для автоочистки

Рекомендуется обеспечить отправку пылесоса на уборку из базы. В таком случае пылесос сможет самостоятельно вернуться на базу. Не перемещайте базу в процессе работы пылесоса.

После того, как робот выполнит задачу уборки и автоматически вернется на базу, база начнет автоочистку. Используйте приложение, чтобы задать другие настройки.

Подключение к приложению Dreamehome

Изделие использует приложение Dreamehome для управления устройством.

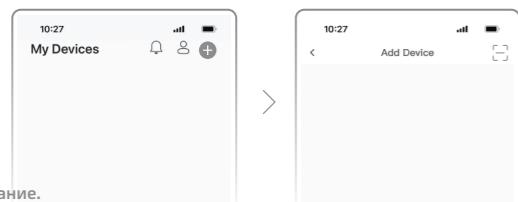
1. Загрузить приложение Dreamehome

Отсканируйте QR-код на роботе или введите в поисковой строке магазина приложений Dreamehome чтобы загрузить и установить приложение согласно требованиям.



2. Добавление устройства

Откройте приложение Dreamehome, нажмите значок в правом верхнем углу и отсканируйте QR-код выше повторно, чтобы добавить устройство DreameBot D10s Plus. Подключитесь к Wi-Fi согласно инструкциям.

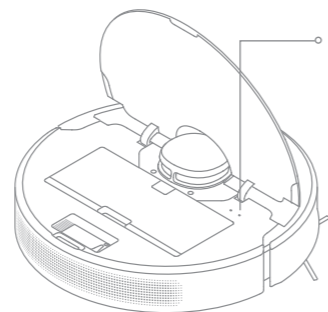


Примечание.

- Функция беспроводной сети поддерживает только Wi-Fi с частотой 2.4ГГц.
- Приложение регулярно обновляется. Фактические действия могут отличаться от указанных в данной инструкции. Следуйте инструкциям, опираясь на текущую версию приложения.

3. Сброс Wi-Fi

Откройте верхнюю крышку, чтобы появился индикатор Wi-Fi. Одновременно с этим нажмите и удерживайте кнопки и , пока не услышите голосовую подсказку "Ожидание настройки сети". Как только индикатор Wi-Fi начнет медленно мигать, робот перейдет в режим подключения к сети.



Индикатор Wi-Fi

- Мигание (медленное): ожидает подключения.
- Мигание (быстрое): выполняется подключение.
- Горит: подключено

Примечание. Если ваш телефон не может подключиться к роботу, сбросьте настройки Wi-Fi и добавьте устройство повторно.

Руководство по эксплуатации

1. Быстрая влажная уборка

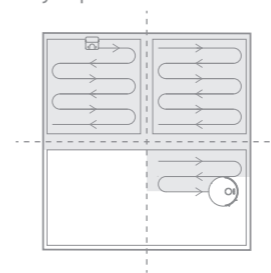
После настройки сети в первый раз создайте быструю карту, следуя инструкциям в приложении, чтобы робот мог начать построение карты, не выполняя уборку. Если робот возвращается на базу, значит, процесс построения карты завершен. Карта будет сохранена автоматически.

2. Включение/выключение

Нажмите и удерживайте кнопку в течение 3 секунд, чтобы робот включился и загорелся индикатор включения. Разместите робот на базе, чтобы он автоматически включился и начал зарядку. Чтобы выключить робот, уберите его с базы, нажмите и удерживайте кнопку в течение 3 секунд.

3. Начало уборки

Коснитесь кнопки , чтобы начать уборку после включения робота. Затем робот проложит маршрут, последовательно выполнит уборку вдоль краев и стен, после чего закончит уборку каждой комнаты по S-образному маршруту для гарантии качества уборки.



4. Пауза / сон

Во время работы робота нажмите на любую кнопку, чтобы приостановить его. Через 10 минут после остановки робот автоматически перейдет в спящий режим. Все индикаторы на роботе потухнут. Нажмите любую кнопку на роботе или используйте приложение, чтобы активировать робот.

Примечание.

- Если робот не находится на подзарядке, он автоматически выключится через 12 часа в режиме сна.
- В случае остановки пылесоса поместите его на База для автоочистки, чтобы завершить текущую задачу уборки.

5. Режим Не беспокоить

В режиме Не беспокоить робот не сможет возобновлять уборку и индикатор питания погаснет. В заводских настройках режим Не беспокоить выключен по умолчанию. Вы можете включить режим Не беспокоить и изменить его длительность в приложении. По умолчанию для режима Не беспокоить настроен период времени с 22:00 до 8:00.

Примечание.

- Задачи уборки по расписанию будут своевременно выполняться с включенным режимом Не беспокоить.
- Робот возобновит уборку в месте остановки после окончания периода действия режима Не беспокоить.

6. Точечная уборка

Когда робот находится в режиме ожидания, нажмите кнопку , чтобы включить режим точечной уборки. В этом режиме робот выполнит уборку квадратного участка 1,5 × 1,5 метра вокруг себя и затем вернется в место начала.

Руководство по эксплуатации

7. Режим "Запланированная уборка"

RU
Время уборки по расписанию можно настроить в приложении Dreamehome. Робот автоматически начнет уборку в назначенное время и затем вернется на базу для подзарядки после завершения уборки.

8. Больше функций приложения

Следуйте инструкциям в интерфейсе приложения, чтобы использовать больше функций. Версия приложения могла быть обновлена или частично изменена. Следуйте инструкциям для текущей версии приложения.

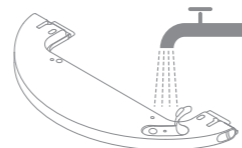
9. Функция уборки шваброй

Для достижения лучшего результата уборки рекомендуется начать использовать режим швабры после 3 применений робота.

1) Выжмите швабру и удалите остатки воды. Установите швабру, как показано на схеме.




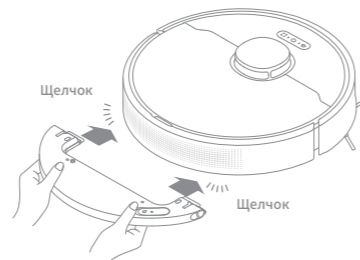
2) Заполните бак водой.



Примечание.

- Не используйте чистящие и дезинфицирующие средства.
- Не наливайте горячую воду в водяной бак во избежание его деформации.

3) Вставьте водяной бак ровно в задней части робота, пока не услышите щелчок. Начните уборку нажатием кнопки  или через приложение Dreamehome.



Примечание.

- Не рекомендуется использовать функцию уборки шваброй на коврах.
- По мере необходимости регулируйте подачу воды к швабре с помощью мобильного приложения.

Регулярный уход

Компоненты

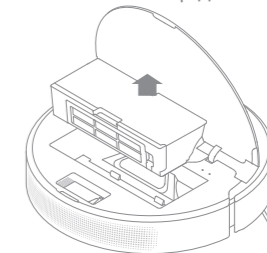
Рекомендуется выполнять регулярное обслуживание робота согласно таблице ниже для гарантии его оптимальной работы.

Компонент	Частота ремонта	Частота замены
Швабра	После каждого использования	Каждые 3-6 месяцев
Основная щетка	Каждые 2 недели	Каждые 6-12 месяцев
Фильтр контейнера для пыли		Каждые 3-6 месяцев
Боковая щетка	Каждый месяц	/
Сигнальная зона автоочистки базы		
зарядные контакты		
Отверстие для автоочистки		
Стандартное колесо		
Лазерного датчика расстояния		
Визуальный датчик с ИИ		
Датчики падения	Чистите по мере необходимости	/
Водяной бак		
Контейнер для пыли	/	8-10 недель
Мешок для пыли	/	8-10 недель

Примечание. Частота замены зависит от способа использования робота. При возникновении особых ошибок необходимо выполнить замену компонентов.

Очистка контейнера для пыли и фильтра

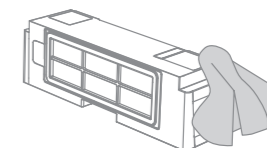
1. Откройте крышку робота и нажмите на зажим контейнера для пыли, чтобы снять контейнер для пыли.



2. Откройте крышку контейнера для пыли и очистите его, как показано на рисунке.

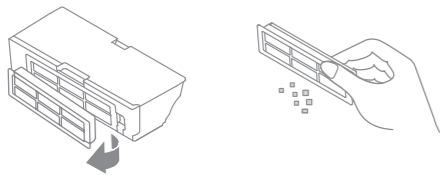


3. Очистите отверстие для автоочистки.



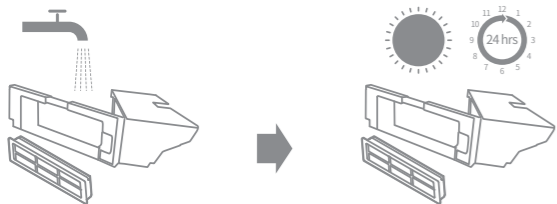
Регулярный уход

4. Снимите фильтр и слегка постучите по нему.



Примечание. Не пытайтесь очистить фильтр щеткой, пальцами или острыми предметами, чтобы не повредить его.

5. Промойте контейнер для пыли и фильтр водой, а затем тщательно просушите их перед установкой обратно.

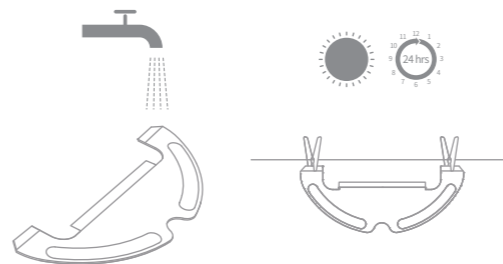


Примечание.

- Промывайте контейнер для пыли и фильтр только чистой водой. Запрещается использовать чистящее средство.
- Используйте контейнер для пыли и фильтр только после тщательной просушки.

Регулярный уход

3. Промойте водой и высушите губку швабры.



Примечание.

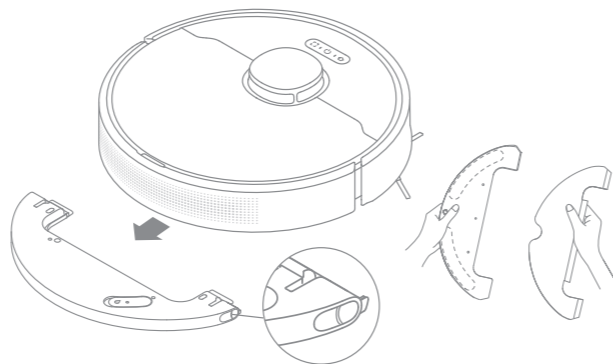
- После окончания использования извлеките губку из модуля швабры, чтобы грязная вода не вылилась обратно в бак и не засорила отверстие для в ды.

4. Если поток воды слабый или вода распределяется неравномерно, очистите воздушное отверстие в верхней части крышки водяного бака.

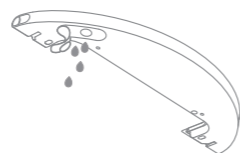


Очистка модуля швабры

1. Переместите оба зажима на боковой стороне водяного бака, чтобы снять модуль влажной уборки, а затем снимите швабру.



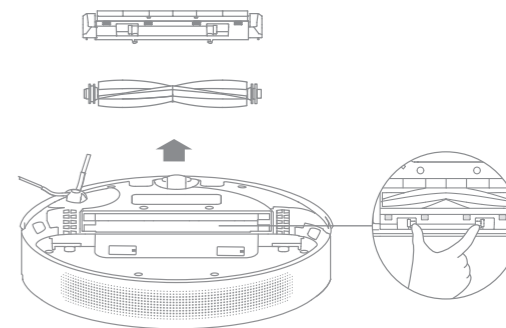
2. Слейте оставшуюся воду из водяного бака. Промойте бак водой и протрите насухо или оставьте высыхать естественным путем.



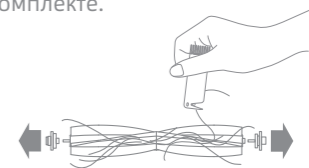
Примечание. Не подвергайте бак воздействию прямых солнечных лучей.

Очистка основной щетки

1. Нажмите на защитные зажимы щетки внутрь, чтобы извлечь ее защитное устройство и достать щетку из робота.



2. Снимите крышку щетки, как показано на схеме. Удалите спутавшиеся волосы с щетки с помощью чистящего инструмента в комплекте.

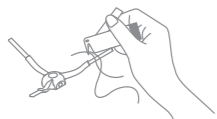


Примечание. Если на щетке осталось много спутанных волос, не тяните их с силой, чтобы не повредить щетку.

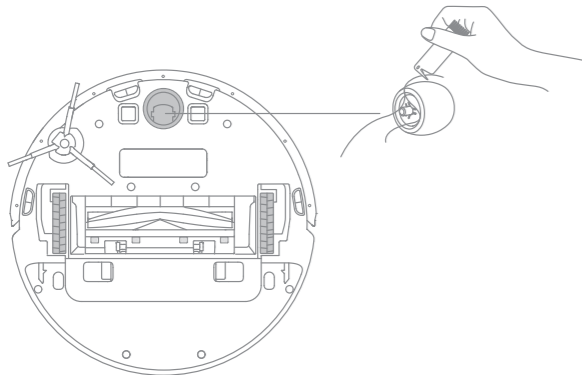
Регулярный уход

Очистка боковых щеток

Снимите боковую щетку и удалите спутавшиеся волосы со щетки с помощью чистящего инструмента в комплекте.



Очистка основного колеса/направляющих колес

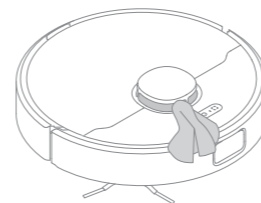


Примечание. Отделите ось и обод стандартного колеса с помощью небольшой отвертки без чрезмерных усилий.

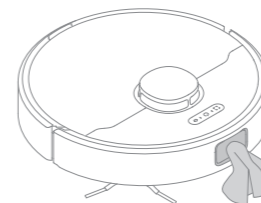
Регулярный уход

Примечание. Для очистки внутренней поверхности робота или зарядной док-станции с чувствительными электроэлементами используйте сухое полотенце. Не используйте влажное полотенце, чтобы избежать повреждений из-за воды.

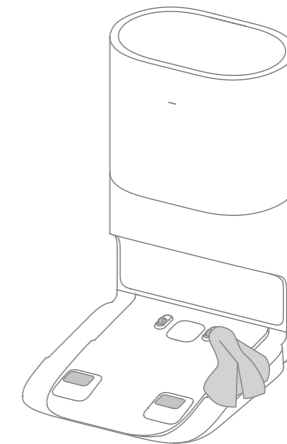
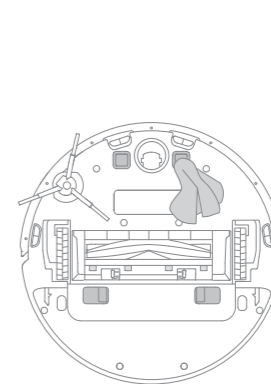
Очистите лазерный датчик LDS



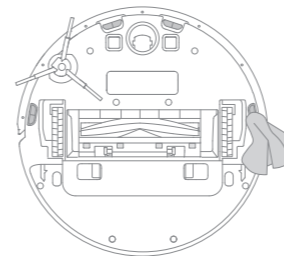
Очистить визуальный датчик с ИИ



Очистите зарядные контакты и отверстия для автоочистки



Очистите датчик падения

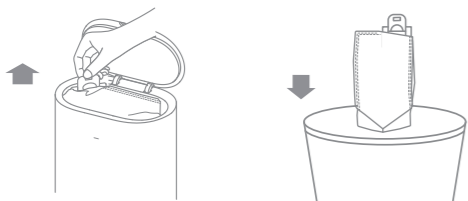


Регулярный уход

Замените мешок для пыли

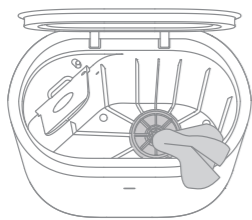
Согласно индикатору состояния (мигающий оранжевый) и подсказкам в приложении выполните замену мешка для пыли на новый, если старый переполнится.

1. Утилизируйте мешок для пыли.

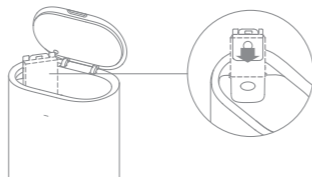


Примечание. Во время удаления мешка для пыли заблокируйте ручку, чтобы пыль не попала наружу.

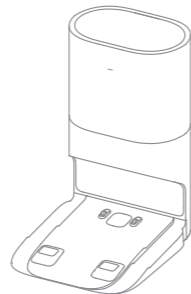
2. Очистите фильтр.



3. Установите новый мешок для пыли.



4. Закройте верхнюю крышку базы для автоочистки.



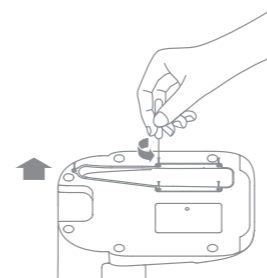
Примечание. Не применяйте силу, чтобы закрыть базу, если не получается закрыть ее верхнюю крышку или отсутствует установленный мешок для пыли.

Регулярный уход

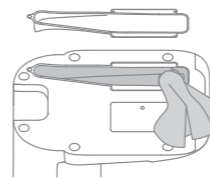
Очистка воздуховода

В случае засорения воздуховода очистите его, следуя инструкциям ниже.

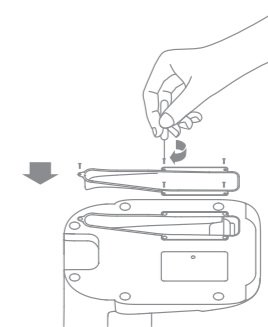
1. Открутите монтажные винты на крышке воздуховода и снимите ее.





2. Проверьте воздуховод на наличие посторонних предметов. При наличии засорений очистите воздуховод.



3. Повторно установите крышку воздуховода, как показано на схеме.



Перезагрузка робота

Если робот не реагирует на команды или не выключается, нажмите и удерживайте кнопку  в течение 10 секунд для принудительного выключения робота. Затем нажмите и удерживайте кнопку  в течение 3 секунд, чтобы включить робота.

Аккумулятор

В робот встроен высокоэффективный литий-ионный аккумуляторный блок. При ежедневном использовании заряжайте аккумулятор полностью, чтобы поддерживать технические характеристики аккумулятора. Если робот не используется в течение долгого времени, отключите его и уберите на хранение. Во избежание повреждений из-за чрезмерной разрядки робот необходимо подзаряжать не реже, чем один раз в три месяца.

Вопросы и ответы

Тип проблемы	Решение
Робот не включается	Низкий уровень заряда. Зарядите робот на базе для автоочистки и повторите попытку. Слишком низкая или слишком высокая температура аккумулятора. Рекомендуемая рабочая температура: 0-40°C.
Робот не заряжается	База для автоочистки обесточена. Убедитесь, что оба конца кабеля питания подключены корректно. Слабый контакт. Очистите зарядные контакты базы для автоочистки и робота.
Пылесос не может вернуться на База для автоочистки	Слишком много препятствий рядом с базой для зарядки и сбора пыли. Поместите базу на более открытое пространство. Очистите зону подачи сигнала базы для автоочистки. В результате перемещения робота может произойти изменение локации или изменение карты окружающей планировки. Если робот находится слишком далеко от базы для автоочистки, он не сможет автоматически вернуться на базу самостоятельно. В таком случае необходимо вручную вернуть пылесос на базу для автоочистки.
Сбой в работе робота	Выключите и перезапустите робот.
Посторонние звуки во время уборки	В основной и боковой щетках или в одном из основных колес мог застрять посторонний предмет. Остановите робот и удалите весь мусор.
Робот стал хуже убирать или оставляет после себя грязь	Контейнер для пыли переполнен. Очистите контейнер и отверстие для забора пыли. Фильтр забит. Очистите его. В основную щетку попал посторонний предмет. Уберите его.

Вопросы и ответы

Тип проблемы	Решение
Робот не подключается к Wi-Fi	Сбой подключения к беспроводной сети Wi-Fi. Сбросьте настройки Wi-Fi, загрузите последнюю версию приложения Dreamehome, а затем попробуйте подключиться повторно. Функция определения местоположения не открывается. Убедитесь, что в приложении Dreamehome включена функция определения местоположения. Слабый сигнал Wi-Fi. Переместите робот в зону с устойчивым сигналом Wi-Fi. Робот не поддерживает Wi-Fi с частотой 5 ГГц. Убедитесь, что ваш робот подключен к Wi-Fi 2.4 ГГц. Неверное имя пользователя или пароль домашнего Wi-Fi. Убедитесь, что имя пользователя и пароль введены правильно.
Не работает режим "Запланированная уборка"	Уровень заряда робота низкий. Уборка по расписанию начнется только тогда, когда уровень заряда будет минимум 15%.
Будет ли расходоваться электричество, если оставить пылесос на зарядной станции после полной зарядки?	Если оставить пылесос на автоматически опоражниваемой базы после того, как пылесос полностью зарядится, будет потребляться очень небольшое количество электричества. Это необходимо для сохранения оптимальных рабочих характеристик аккумулятора.
Модуль швабры не подает воду или подает незначительный объем воды	Убедитесь, что в водяном баке есть вода. Очистите губку швабры, если она загрязнилась. Убедитесь, что губка швабры установлена правильно в соответствии с руководством по эксплуатации. Своевременно очищайте воздушное отверстие в в ерхней части крышки водяного бака.
Робот не продолжает уборку после зарядки	Убедитесь, что робот не перешел в режим "Не беспокоить", в котором он не может возобновить уборку. Пылесос не продолжает уборку после подзарядки или возврата на База для автоочистки вручную.

Вопросы и ответы

Тип проблемы	Решение
Робот возвращается на базу для автоочистки без выполнения задач по автоочистке	В режиме Не беспокоить робот не сможет автоматически выполнять соответствующие задачи.
Мешок для пыли переполнен	Проверьте наполненность мешка для пыли. Если мешок переполнен, замените его на новый. Рекомендуется выполнять замену каждые 8-10 недель. Если мешок не переполнен, проверьте отверстие для забора пыли и воздуховод в нижней части базы на наличие засорений. Удалите все блокирующие объекты перед использованием.
Иногда сбор пыли занимает слишком много времени	В случае, когда пылесос выполняет задачи по сбору пыли продолжительное время или воздуховод неисправен, сбор пыли может занимать больше времени для предотвращения блокировки.
Невозможно закрыть верхнюю крышку базы	Проверьте наличие мешка для пыли. Если мешок не установлен, установите.

Для получения дополнительных услуг свяжитесь с нами по адресу aftersales@dreame.tech

Веб-сайт: <https://global.dreame.tech>

Основные параметры

Робот

Модель	RLS6AD
Время зарядки	Около 6 ч
Номинальное напряжение	14,4 V \approx
Номинальная мощность	46 W
Рабочая частота	2400-2483,5 MHz
Макс. выходная мощность	< 20 dBm

База для автоочистки

Модель	RCS2
Номинальная входная мощность	220-240 V \sim 50-60 Hz
Номинальная выходная мощность	19,8 V \approx 1 A
Номинальная мощность	800 W

При обычных условиях использования между антенной этого оборудования и телом пользователя должно сохраняться расстояние не менее 20 см.

Извлечение и утилизация аккумулятора

Встроенный литий-ионный аккумулятор содержит опасные для окружающей среды вещества. Аккумулятор должен быть извлечен квалифицированными техническими специалистами и утилизирован в приспособленном для этого месте.

- перед утилизацией аккумулятора необходимо извлечь из прибора;
- перед извлечением аккумулятора необходимо отключить прибор от источника энергии;
- аккумулятор необходимо утилизировать безопасным способом.

МЕРЫ ПРЕДОСТОРОЖНОСТИ:

- Перед извлечением аккумулятора отключите прибор от источника питания и максимально израсходуйте заряд аккумулятора.
- Ненужные аккумуляторы необходимо утилизировать в приспособленном для этого месте.
- Запрещается оставлять изделие при высокой температуре во избежание взрывов.
- В случае повреждения аккумулятора жидкость может вытечь. При соприкосновении с жидкостью промойте место контакта водой и обратитесь за медицинской помощью.

Информация об утилизации и переработке отходов электрического и электронного оборудования



Все изделия с символом раздельного сбора отработанного электрического и электронного оборудования (Директива WEEE 2012/19/EU) следует утилизировать отдельно от несортируемых бытовых отходов. С целью охраны здоровья и защиты окружающей среды такое оборудование необходимо сдавать на переработку в специальные пункты приема электрического и электронного оборудования, определенные правительством или местными органами власти. Правильная утилизация и переработка помогут предотвратить возможные негативные последствия для окружающей среды и здоровья человека. Для получения информации о местонахождении и порядке приема устройств в пунктах приема обратитесь в компанию, занимающуюся установкой оборудования, или в местные органы власти.

Инструкция по извлечению

1. Переверните робот, с помощью инструмента извлеките винты в задней части робота и затем снимите крышку.
2. Отсоедините провода терминалов между аккумулятором и печатной платой и извлеките аккумулятор.

Informacje dotyczące bezpieczeństwa

Aby uniknąć porażenia prądem, pożaru lub obrażeń ciała spowodowanych niewłaściwym użytkowaniem urządzenia, należy uważnie przeczytać instrukcję obsługi przed użyciem urządzenia i zachować ją na przyszłość.

Ograniczenia w użytkowaniu

- Z produktu nie powinny korzystać dzieci poniżej 8 roku życia ani osoby z niedostatkami i fizycznymi, sensorycznymi, intelektualnymi lub ograniczonym doświadczeniem czy niewystarczającą wiedzą bez nadzoru rodzica lub opiekuna, aby zapewnić bezpieczną obsługę i uniknąć wszelkich zagrożeń. Dzieci nie powinny przeprowadzać czyszczenia i konserwacji bez nadzoru.
- Dzieci nie mogą bawić się tym produktem. Należy upewnić się, że dzieci i zwierzęta domowe przebywają w bezpiecznej odległości od odkurzacza z mopem podczas jego pracy.
- Ten produkt jest przeznaczony wyłącznie do czyszczenia podłóg w środowisku domowym. Nie należy używać go na zewnątrz, na powierzchniach innych niż podłogi oraz w pomieszczeniach komercyjnych lub przemysłowych.
- Jeśli przewód zasilający zostanie uszkodzony lub zepsuty, należy natychmiast zaprzestać jego używania i skontaktować się z działem obsługi posprzedażnej.
- Robot nie należy używać na obszarze zawieszonym nad ziemią bez uprzedniego zastosowania bariery ochronnej.
- Nie należy umieszczać robota do góry nogami. Nie należy używać pokrywy czunika laserowego LDS, pokrywy robota ani zderzaka, jako uchwytu.
- Nie należy używać robota w temperaturze powyżej 40°C lub poniżej 0°C, a także na podłogach z płynami lub lepкими substancjami.
- Przed użyciem robota należy podnieść z podłogi wszelkie przewody, aby zapobiec ich przemieszczaniu podczas czyszczenia.
- Należy usunąć z podłogi wszelkie delikatne lub małe przedmioty, aby zapobiec ich uszkodzeniu w przypadku zderzenia.

Informacje dotyczące bezpieczeństwa

Ograniczenia w użytkowaniu

- Aby uniknąć uszkodzeń lub szkód spowodowanych ciągnięciem, przed rozpoczęciem pracy urządzenia należy usunąć z podłogi wszelkie luźne przedmioty oraz usunąć kable lub przewody zasilające znajdujące się na ścieżce czyszczenia.
- Należy trzymać włosy, palce i inne części ciała z dala od otworu ssącego robotów.
- Trzymać przyrząd do czyszczenia szczotki poza zasięgiem dzieci.
- Nie wolno umieszczać dzieci, zwierząt domowych ani żadnych przedmiotów na robocie, niezależnie od tego, czy jest on nieruchomy, czy się porusza.
- Nie używać robota do czyszczenia jakichkolwiek palnych substancji. Nie należy używać robota do czyszczenia łatwopalnych lub wybuchowych cieczy, gazów korozyjnych, nierozcieńczonych kwasów lub rozpuszczalników.
- Nie odkurzaj twardych ani ostrych przedmiotów. Nie należy używać urządzenia do czyszczenia przedmiotów takich jak kamienie, duże kawałki papieru lub innych przedmiotów, które mogą zatkać urządzenie.
- Przed przystąpieniem do czyszczenia lub konserwacji upewnij się, że robot jest wyłączony, a podstawa auto-oprózniająca jest odłączona od zasilania.
- Nie należy używać mokrej szmatki do wycierania ani żadnych płynów do ołukiwania robota i podstawy. Części nadające się do mycia muszą być całkowicie wysuszone przed ich zamontowaniem i użyciem.
- Na czas transportu należy upewnić się, że robot jest wyłączony oraz, w miarę możliwości, znajduje się w oryginalnym opakowaniu.
- Produktu należy używać zgodnie z instrukcjami zawartymi w instrukcji obsługi. Użytkownicy ponoszą odpowiedzialność za wszelkie straty lub szkody wynikające z niewłaściwego użytkowania tego produktu.

Informacje dotyczące bezpieczeństwa

Akumulator i ładowanie

- Nie należy używać zamienników akumulatora, ładowarki ani podstawy auto-oprózniającej. Do stosowania wyłącznie z zasilaczem RCS2.
- Nie należy podejmować samodzielnych prób rozbierania, naprawy lub modyfikowania akumulatora lub podstawy auto-oprózniającej.
- Nie należy stawiać podstawy auto-oprózniającej w pobliżu źródła ciepła.
- Nie należy używać mokrej szmatki ani ściereczki z płynem do wycierania styków ładowania podstawy auto-oprózniającej.
- Utylizować stare akumulatory we właściwy sposób. Zbędne akumulatory należy przykazywać do odpowiednich zakładów zajmujących się recyklingiem.
- Jeżeli robot nie będzie używany przez dłuższy czas, należy naładować go do pełna, a następnie wyłączyć i przechowywać w chłodnym i suchym miejscu. Ładować robota co najmniej raz na 3 miesiące, aby uniknąć nadmiernego rozładowania akumulatora.
- Wewnątrz tego produktu znajdują się akumulatory, które mogą być wymieniane wyłącznie przez wykwalifikowanych techników lub serwis posprzedażny.

Ważne informacje dotyczące bezpieczeństwa

- Czujnik laserowy w tym produkcie spełnia normę IEC 60825-1: 2014 dla produktów laserowych klasy 1. Należy unikać bezpośredniego kontaktu wzrokowego z nim podczas użytkowania.

Niniejszym firma Dreame Trading (Tianjin) Co., Ltd. oświadczając, że urządzenie radiowe typu RLS6AD jest zgodne z dyrektywą 2014/53/UE. Pełny tekst deklaracji zgodności UE jest dostępny na następującej stronie internetowej: <https://global.dreame.tech.com>
Szczegółową elektroniczną instrukcję obsługi można znaleźć na stronie <https://global.dreame.tech.com/pages/user-manuals-and-faq>

Przegląd produktu

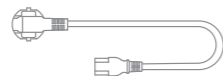
Akcesoria



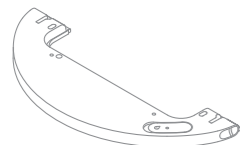
Przyrząd do czyszczenia



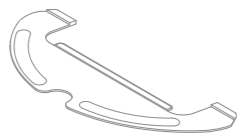
Szczotka boczna



Kabel zasilający



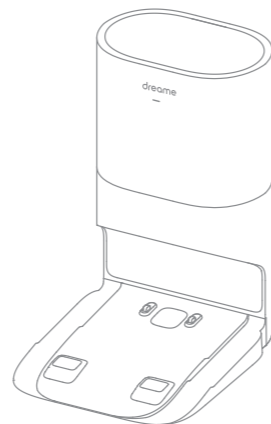
Zbiornik na wodę



Podkładka mopa



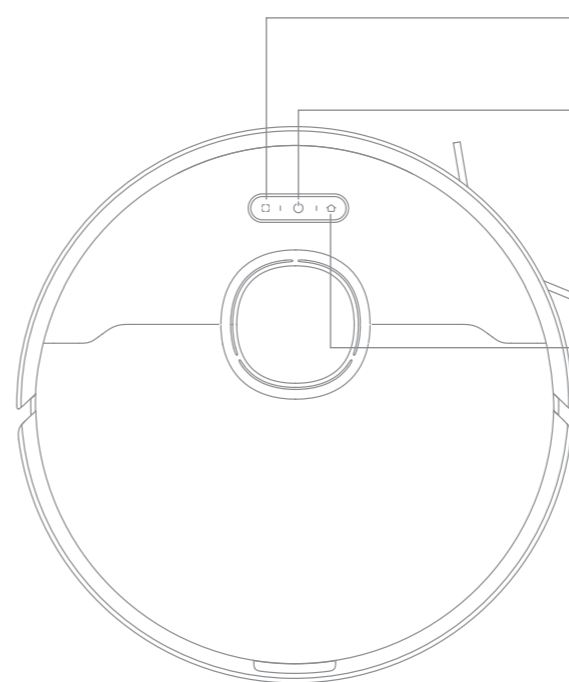
Worek do odkurzacza
(wymienny)



Podstawy auto-oprózniającej

Przegląd produktu

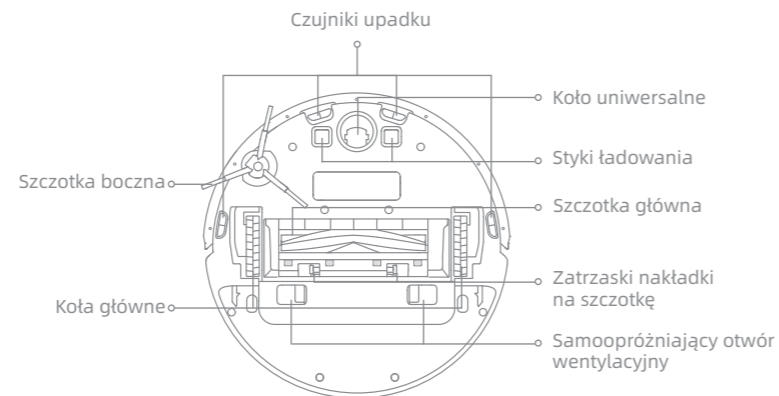
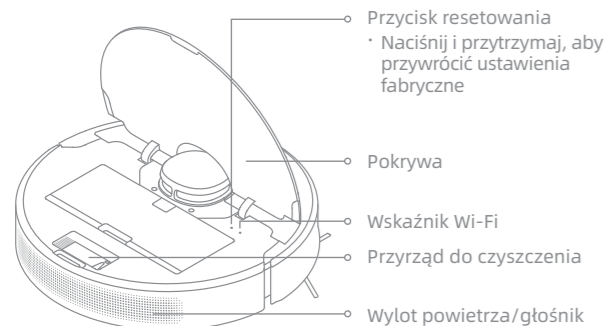
Robot



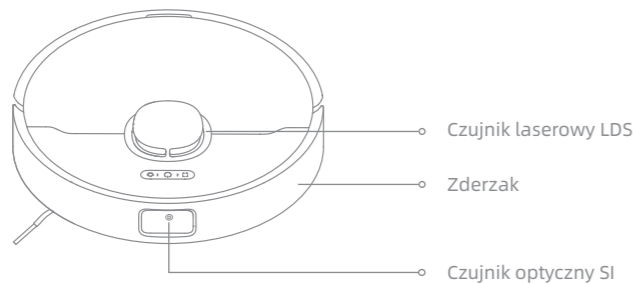
- Przycisk czyszczenia punktowego
 - Naciśnij krótko, aby rozpocząć czyszczenie punktowe
- Przycisk zasilania/czyszczenia
 - Naciśnij i przytrzymaj przez 3 sekundy, aby włączyć i wyłączyć
 - Naciśnij krótko, aby włączyć czyszczenie po uruchomieniu robota
- Przycisk stacji dokującej
 - Naciśnij, aby odesłać robota z powrotem do podstawy auto-oprózniającej
 - Naciśnij i przytrzymaj przez 3 sekundy, aby wyłączyć Blokadę Rodzicielską
- Wskaźnik stanu
 - Światło białe: czyszczenie w toku lub czyszczenie zakończone
 - Migające światło pomarańczowe: błąd
 - Niebieski: Monitoring włączony

Przegląd produktu

Robot



Czujniki robota

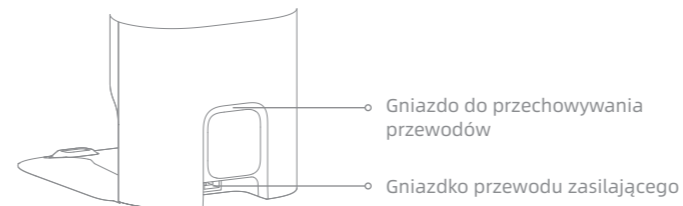


Przegląd produktu

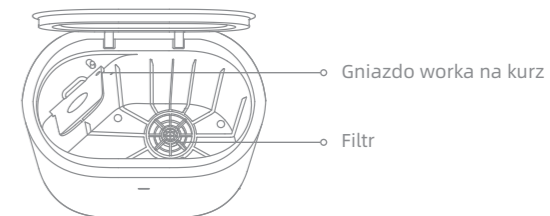
podstawy auto-opróżniającej



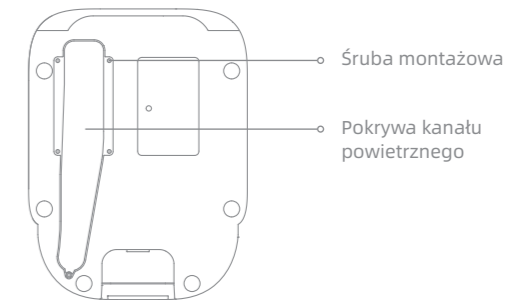
tył



otwórz górną pokrywę



dół

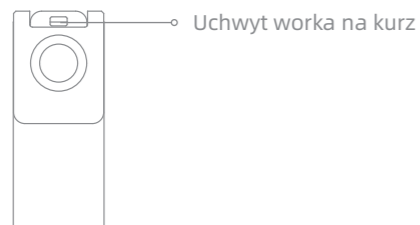


Przegląd produktu

Pojemnik na kurz

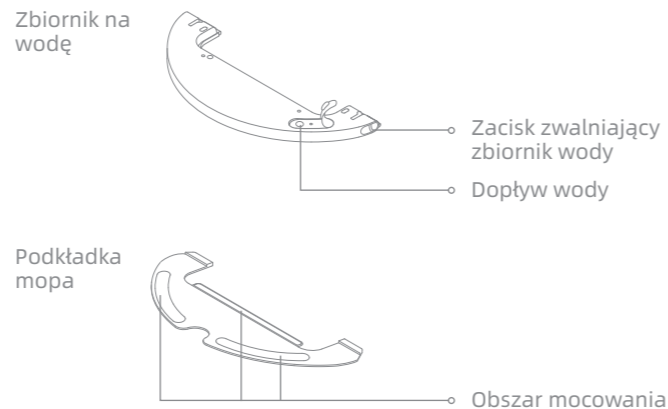


Worek do odkurzacza



Uwaga: Ze względu na ustawienie fabryczne, nowy worek na kurz został już zamontowany w środku.

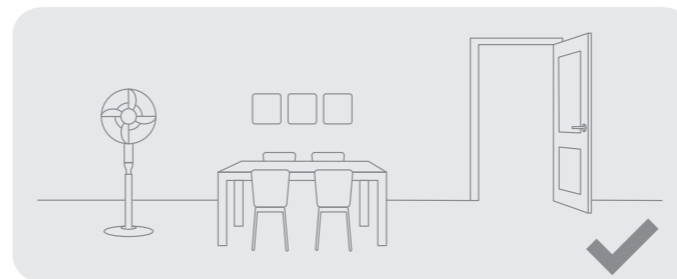
Moduł mopujący



Przygotowanie domu



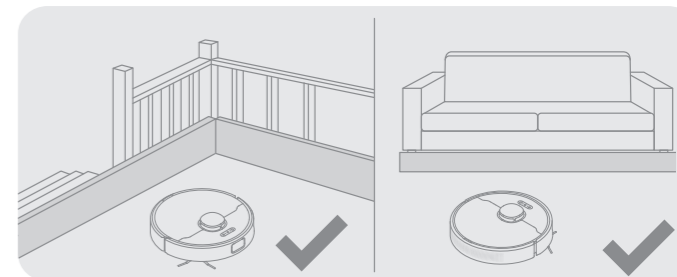
Uprzątnij przedmioty takie jak przewody zasilające, ściereczki, kaptcie i zabawki, aby zwiększyć wydajność robota.



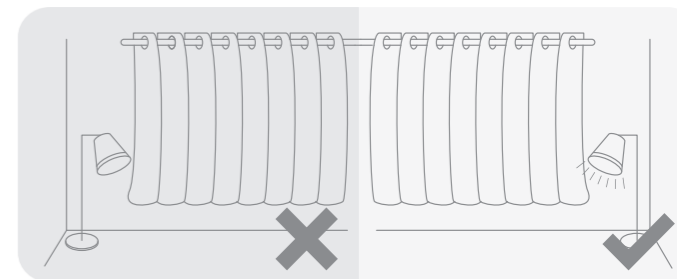
Otwórz drzwi do sprzątanego pomieszczenia i umieść meble tak, aby uzyskać więcej miejsca.

Uwaga:

- Podczas pierwszego użycia robota, należy go śledzić podczas czyszczenia, aby w porę usunąć wszelkie potencjalne przeszkody.
- Aby zapobiec nierozpoznanemu czyszczonego obszaru, nie stawaj bezpośrednio przed robotem, na progu, w korytarzu lub w wąskich miejscach.



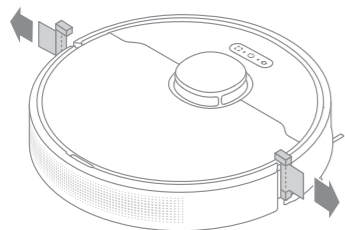
Przed czyszczeniem użyj fizycznej zapory na krawędziach schodów i sofy, aby zapewnić bezpieczną i płynną pracę robota.



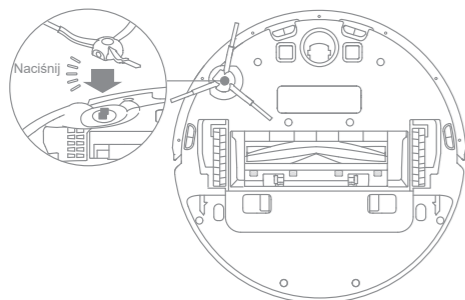
Dzięki czujnikowi wizualnemu SI robot może lepiej rozpoznawać i omijać przeszkody, takie jak przewody zasilające, buty i skarpetki. Aby w pełni wykorzystać możliwości czujnika wizualnego AI, upewnij się, że wszystkie obszary, które mają być czyszczone, są dobrze oświetlone.

Przed użyciem

1. Zdejmij paski ochronne



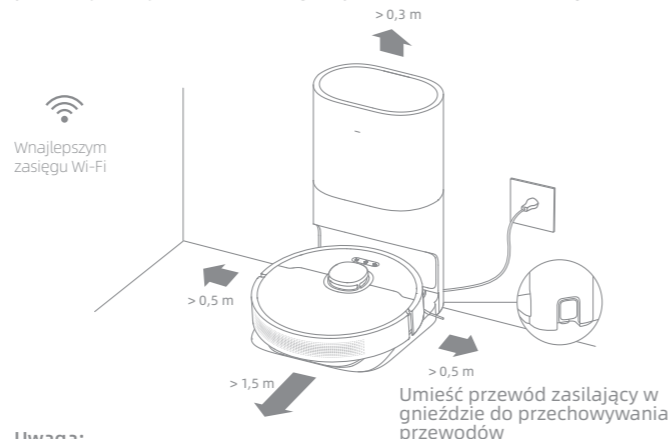
2. Zamontuj szczotkę boczną



Uwaga: Zamontuj szczotkę boczną, aż zatrzaśnie się na swoim miejscu.

3. Podłącz podstawę do gniazdka elektrycznego i rozpocznij ładowanie

Podstawę auto-opróżniającą należy umieścić na równym podłożu przy ścianie i podłączyć do gniazdka. Umieść robota na podstawie autoopróżniającej. Robot zacznie się automatycznie ładować. Przed pierwszym użyciem zalecane jest pełne naładowanie urządzenia.



Uwaga:

- Należy zachować co najmniej 0,5 metra wolnej przestrzeni po obu stronach podstawy auto-opróżniającej oraz co najmniej 1,5 metra wolnej przestrzeni przed nią.
- Nie należy blokować obszaru emisji sygnału podstawy auto-opróżniającej żadnymi przedmiotami.

Informacje o podstawie auto-opróżniającej

W celu zapewnienia płynnego powrotu robota do podstawy auto-opróżniającej, zaleca się, aby robot opuścił podstawę przed czyszczeniem. Nie należy przesuwać podstawy auto-opróżniającej podczas pracy robota.

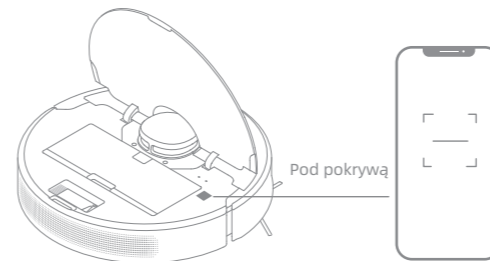
Po zakończeniu zadania czyszczenia przez robota i jego automatycznym powrocie do podstawy, rozpocznie się zadanie auto-opróżniania. Więcej ustawień może być ustawionych w aplikacji.

Połącz z aplikacją Dreamehome

Ten produkt współpracuje z aplikacją Dreamehome, która może być używana do sterowania urządzeniem.

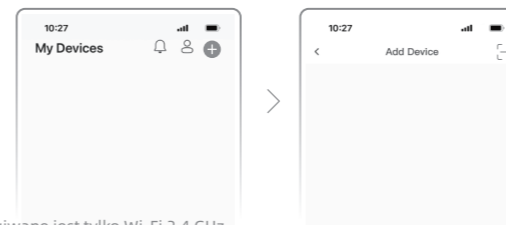
1. Pobierz aplikację Dreamehome

Zeskanuj kod QR znajdujący się na robocie lub wyszukaj "Dreamehome" w sklepie z aplikacjami, aby pobrać i zainstalować aplikację w zależności od potrzeb.



2. Dodaj urządzenie

Otwórz Dreamehome, kliknij "+" w prawym górnym rogu i zeskanuj ponownie powyższy kod QR, aby dodać "DreameBot D10s Plus". Postępuj zgodnie z instrukcjami, aby zakończyć nawiązywanie połączenia Wi-Fi.

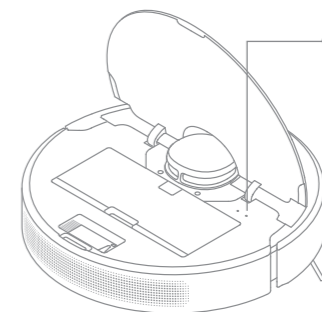


Uwaga:

- Obsługiwane jest tylko Wi-Fi 2,4 GHz.
- Aktualizacja oprogramowania aplikacji w toku. Rzeczywiste działania mogą się różnić od tych zawartych w niniejszej instrukcji. Należy postępować zgodnie z instrukcjami opartymi na najnowszej wersji aplikacji.

3. Resetowanie połączenia Wi-Fi

Otwórz górną pokrywę odkurzacza, aby zobaczyć wskaźnik Wi-Fi. Następnie naciśnij jednocześnie przyciski [] i [] i przytrzymaj je do momentu usłyszenia komunikatu głosowego o oczekiwaniu na konfigurację sieci. Gdy wskaźnik Wi-Fi zacznie powoli migać, będzie to oznaczało, że połączenie zostało pomyślnie zresetowane.



Wskaźnik Wi-Fi

- Powolne miganie: oczekiwanie na połączenie
- Szybkie miganie: łączenie
- Światło stałe: połączony



Uwaga: Gdy telefon nie zdoła się połączyć z odkurzaczem, zresetuj sieć Wi-Fi i dodaj urządzenie ponownie.

Użytkowanie


1. Szybkie mapowanie

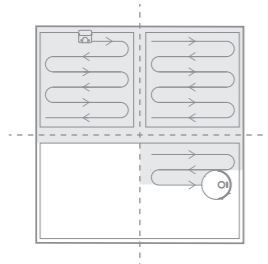
Po skonfigurowaniu sieci po raz pierwszy, postępuj zgodnie z instrukcjami w aplikacji, aby szybko utworzyć mapę, a robot rozpocznie mapowanie bez czyszczenia. Gdy robot powróci do podstawy, proces mapowania został zakończony, a mapa zostanie zapisana automatycznie.

2. Włączanie/wyłączanie

Naciśnij i przytrzymaj przycisk  przez 3 sekundy, aby włączyć robota, wskaźnik zasilania będzie świecił się światłem stałym. Umieść robota na podstawie, a robot włączy się automatycznie i rozpocznie ładowanie. Aby wyłączyć robota, odsuń go od podstawy, a następnie naciśnij i przytrzymaj przycisk  przez 3 sekundy.

3. Czyszczenie

Po włączeniu robota naciśnij krótko przycisk , aby rozpocząć czyszczenie. Następnie robot dokładnie wyznaczy trasę, metodycznie wyczyści wzdłuż krawędzi i ścian, a następnie zakończy dokładnie czyszcząc każde pomieszczenie ścieżką czyszczenia w kształcie litery S.



4. Wstrzymaj / Uśpij

Gdy robot pracuje, naciśnij dowolny przycisk, aby go wstrzymać. Jeśli robot został wstrzymany na dłużej niż 10 minut, automatycznie przejdzie w tryb uśpienia. Wszystkie wskaźniki na robocie wyłączą się. W celu wybudzenia robota naciśnij dowolny przycisk na robocie lub użyj aplikacji.

Uwaga:

- Odkurzacz wyłączy się automatycznie po 12 godzinach w trybie czuwania.
- Wstrzymanie pracy robota i umieszczenie go na podstawie auto-opróżniającej spowoduje zakończenie bieżącego zadania czyszczenia.


5. Tryb Nie przeszkadzać

Gdy jest ustawiony tryb Nie przeszkadzać, robot nie będzie mógł wznowić czyszczenia, a wskaźnik zasilania zgaśnie. Tryb Nie przeszkadzać jest domyślnie wyłączony. Można użyć aplikacji, aby włączyć tryb Nie przeszkadzać lub zmienić okres jego trwania. Domyślnie okres trybu Nie przeszkadzać to 22:00-8:00.

Uwaga:

- W okresie trybu Nie przeszkadzać zaplanowane zadania czyszczenia będą nadal wykonywane.
- Robot wznowi czyszczenie w miejscu, w którym je przerwał, po upływie okresu Nie przeszkadzać.

6. Czyszczenie Punktowe

Gdy robot jest w stanie gotowości, naciśnij krótko przycisk , aby włączyć tryb Czyszczenia punktowego. W tym trybie robot wyczyści kwadratowy obszar o wymiarach 1,5 x 1,5 metra wokół siebie i powróci do punktu wyjścia po zakończeniu Czyszczenia punktowego.

Użytkowanie

7. Zaplanowane czyszczenie

Możesz zaplanować czas czyszczenia w aplikacji Dreamehome. Robot automatycznie rozpocznie czyszczenie o wyznaczonej godzinie, a następnie po zakończeniu powróci do podstawy w celu naładowania.

8. Więcej funkcji aplikacji

Postępuj zgodnie z instrukcjami w interfejsie aplikacji, aby korzystać z większej liczby funkcji. Wersja aplikacji mogła zostać zaktualizowana i należy postępować zgodnie z instrukcjami opartymi na aktualnej wersji aplikacji.

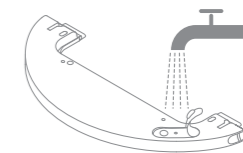
9. Użycie funkcji mopowania

Zaleca się odkurzanie wszystkich podłóg co najmniej trzy razy przed pierwszym myciem, aby uzyskać lepszy efekt czyszczenia.

1) Należy zwilżyć podkładkę mopa i wykręcić nadmiar wody. Zamontuj podkładkę mopa tak jak pokazano na rysunku.




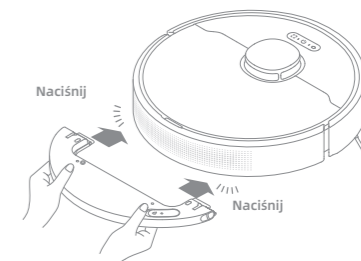
2) Napełnij zbiornik wodą.



Uwaga:

- Nie używać żadnych środków czyszczących ani dezynfekujących.
- Nie należy napełniać zbiornika na wodę gorącą wodą, ponieważ może to spowodować jego zniekształcenie.

3) Wyrównaj moduł mopujący zgodnie ze strzałką, a następnie wsuń go z tyłu robota, aż do jego zatrzaśnięcia we właściwej pozycji. Naciśnij przycisk  lub użyj aplikacji Dreamehome, aby rozpocząć czyszczenie.



Uwaga:

- Nie zaleca się używania funkcji mopowania na dywanach.
- Za pomocą aplikacji można regulować przepływ wody w zależności od potrzeb.

Dzienna konserwacja

Części

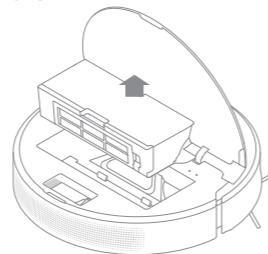
Aby utrzymać robota w dobrym stanie, zalecane jest zapoznanie się z poniższą tabelą dotyczącą rutynowych czynności konserwacyjnych.

Część	Częstotliwość konserwacji	Częstotliwość wymiany
Podkładka mopa	Po każdym użyciu	Co 3 do 6 miesięcy
Szczotka główna	Co 2 tygodnie	Co 6 do 12 miesięcy
Filtr pojemnika na kurz		Co 3 do 6 miesięcy
Szczotka boczna	Co miesiąc	/
Obszar sygnalizacji samoopróżniania podstawy		
Styki ładowania		
Samoopróżniający otwór wentylacyjny		
Koło uniwersalne		
Czujnik laserowy LDS		
Czujnik optyczny SI		
Czujniki upadku		
Zbiornik na wodę	Wyczyścić w razie potrzeby	/
Pojemnik na kurz		
Worek do odkurzacza	/	8-10 tygodni

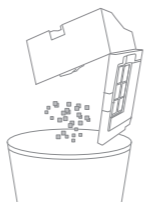
Uwaga: Częstotliwość wymiany będzie zależała od sposobu użytkowania robota. W przypadku szczególnych okoliczności, części powinny zostać wymienione.

Pojemnik na kurz i filtr

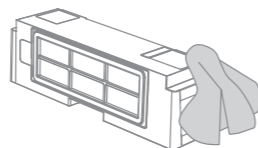
1. Otwórz pokrywę robota i naciśnij zatrzask pojemnika na kurz, aby zdemontować pojemnik na kurz.



2. Otwórz pokrywę pojemnika na kurz tak, jak pokazano na rysunku.

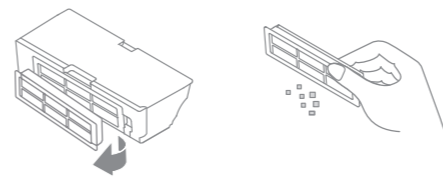


3. Wyczyść otwór wentylacyjny samoopróżniania.



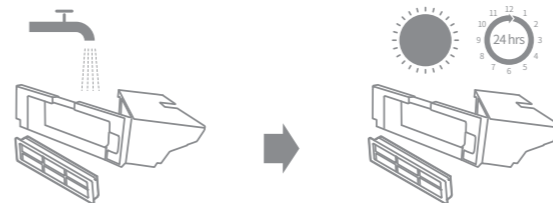
Dzienna konserwacja

4. Zdemontuj filtr i postukaj w niego lekko.



Uwaga: Nie należy próbować czyścić filtra szczotką, palcem ani ostrymi przedmiotami, aby zapobiec jego uszkodzeniu.

5. Optucz pojemnik na kurz i filtr wodą i wysusz je całkowicie przed ponownym zamontowaniem.

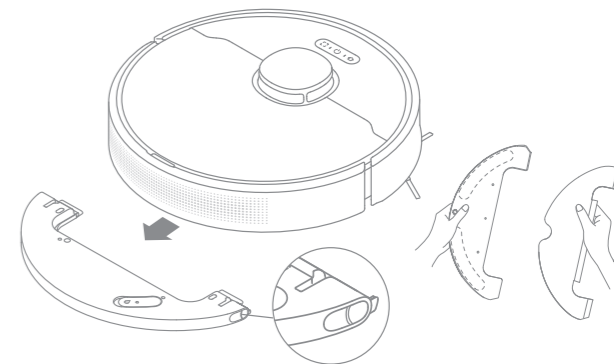


Uwaga:

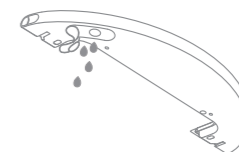
- Pojemnik na kurz i filtr należy płukać wyłącznie przy użyciu bieżącej wody. Nie należy używać żadnych detergentów.
- Wyłącznie po całkowitym wyschnięciu należy ponownie używać pojemnika na kurz i filtra.

Czyszczenie modułu mopującego

1. Przesuń dwa klipsy zwalniające z boku zbiornika na wodę, aby zdjąć moduł mopujący, a następnie ściągnij podkładkę mopa z modułu mopującego.



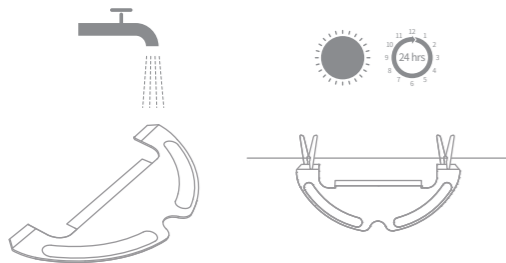
2. Opróżnij pozostałą wodę ze zbiornika. Przed ponownym zamontowaniem optucz wodą i pozostaw do wyschnięcia na powietrzu.



Uwaga: Nie wystawiać zbiornika bezpośrednio na słońce.

Dzienna konserwacja

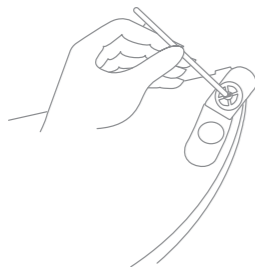
3. Wyczyść i osusz wkład myjący.



Uwaga:

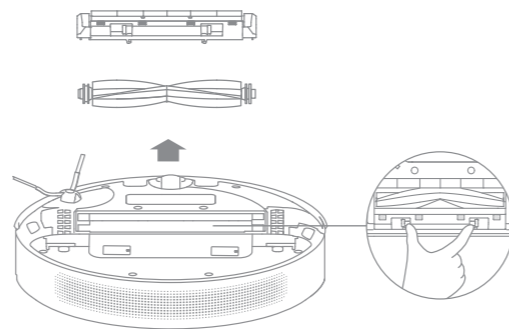
· Po użyciu wyjąć wkład myjący i oczyścić. Należy upewnić się, że brudna woda nie wpływa z powrotem do odpływu wody, aby uniknąć jego zatkania.

4. Jeśli występuje powolny przepływ wody lub objętość nie jest dobrze rozprowadzona, należy wyczyścić otwór powietrzny w pokrywie zbiornika wody.



Czyszczenie szczotki głównej

1. Naciśnij zatrzaski osłony szczotki do wewnątrz, aby zdjąć osłonę szczotki i wyjmij szczotkę z robota.



2. Wyciągnij osłony szczotki, jak pokazano na rysunku. Użyj dołączonego narzędzia czyszczącego, aby usunąć włosy zaplątane w szczotce.

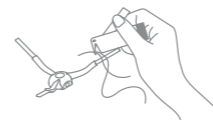


Uwaga: Nie należy używać nadmiernej siły przy oczyszczaniu włosów, aby uniknąć uszkodzenia szczotki.

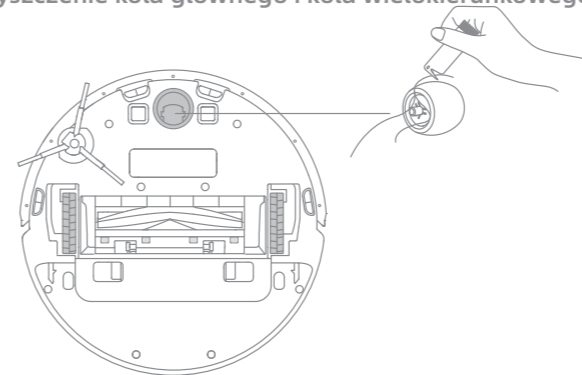
Dzienna konserwacja

Czyszczenie szczotki bocznej

Wyciągnij szczotkę boczną i użyj dołączonego narzędzia do czyszczenia, aby usunąć włosy zaplątane w szczotkę.



Czyszczenie koła głównego i koła wielokierunkowego

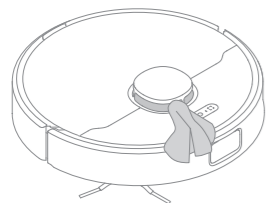


Uwaga: Należy użyć narzędzi takich, jak mały śrubokręt, aby oddzielić oś od opony koła uniwersalnego.

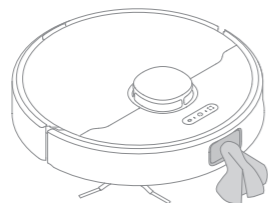
Dzienna konserwacja

Uwaga: Do czyszczenia używaj suchej ściereczki, ponieważ odkurzacz i strona wewnętrzna stacji ładującej zawierają wrażliwe elementy. Nie należy używać mokrej ściereki, aby zapobiec uszkodzeniom spowodowanym przez wodę.

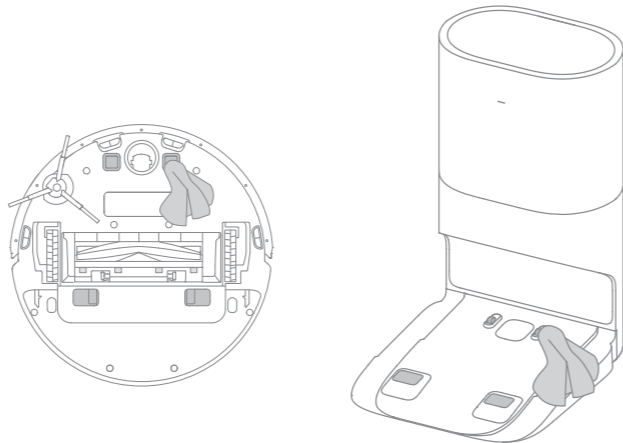
Wyczyść czujnik laserowy LDS



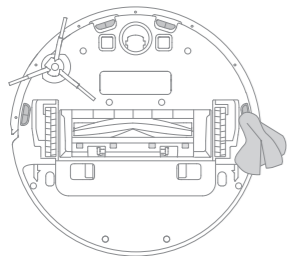
Czyszczenie czujnika optycznego SI



Wyczyść styki ładowania i otwory wentylacyjne samoopróżniania



Czyszczenie czujników upadku

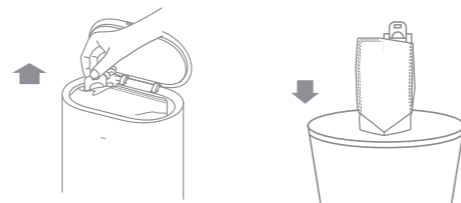


Dzienna konserwacja

Wymień worek na kurz

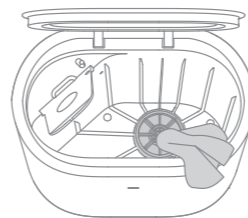
Gdy worek na kurz jest pełny należy wymienić go na nowy. Informacje dotyczące stanu worka na kurz wyświetlane są na wskaźniku stanu (miganie na pomarańczowo) lub poprzez komunikaty w aplikacji.

1. Usuwanie worka na kurz.

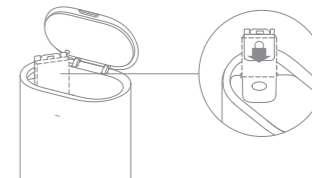


Uwaga: Podczas wyjmowania worka na kurz należy zamknąć uchwyt worka na kurz, aby zapobiec wylotowi kurzu.

2. Czyszczenie filtra.



3. Instalacja nowego worka na kurz.



4. Zamknij górną pokrywę podstawy auto-opróżniającej.



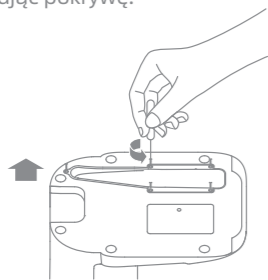
Uwaga: Nie należy używać siły, aby zamknąć stację, jeśli górna pokrywa nie może być zamknięta, a worek na kurz jest zamontowany.

Dzienna konserwacja

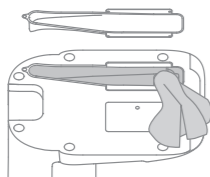
Czyszczenie kanału powietrznego

Jeśli kanał powietrzny jest zablokowany, należy go wyczyścić zgodnie z poniższymi krokami.

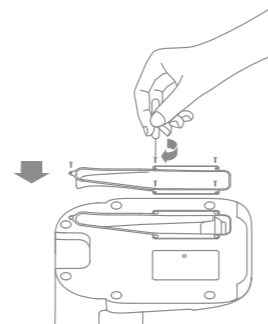
1. Należy odkręcić śruby mocujące na pokrywie kanału powietrznego i zdjąć pokrywę.





2. Należy sprawdzić, czy kanał powietrzny jest zablokowany przez obce przedmioty. Jeśli tak, należy je usunąć.



3. Należy ponownie zamontować pokrywę kanału powietrznego, zgodnie ze wskazówkami pokazanymi na rysunku.



Ponowne uruchamianie robota

Jeśli robot przestanie reagować lub nie można go wyłączyć, naciśnij i przytrzymaj przycisk  przez 10 sekund, aby wyłączyć go ręcznie. Następnie należy nacisnąć i przytrzymać przycisk  przez 3 sekundy, aby włączyć robota.

Akumulator

Robot wyposażono w wysokiej jakości akumulator litowo-jonowy. Należy upewnić się, że pozostaje on dobrze naładowany podczas codziennego użytkowania, aby utrzymać jego optymalną wydajność. Jeśli robot nie jest używany przez dłuższy czas, należy go wyłączyć i odłożyć. Aby zapobiec uszkodzeniom spowodowanym nadmiernym rozładowaniem, robota należy ładować co najmniej raz na trzy miesiące.

Pytania i odpowiedzi

Rodzaj problemu	Rozwiązanie
Robot nie włącza się	Poziom naładowania baterii jest niski. Należy naładować robota na podstawie auto-opróżniającej, a następnie spróbować ponownie. Temperatura baterii jest zbyt niska lub zbyt wysoka. Zaleca się używanie urządzenia w temperaturze pomiędzy 32 °F (0°C) a 104 °F (40°C).
Robot nie ładuje się	Podstawy auto-opróżniającej nie ma zasilania. Należy upewnić się, że oba końce przewodu zasilającego są prawidłowo podłączone. Zbyt słaby kontakt. Należy oczyścić styki ładowania podstawy auto-opróżniającej.
Robot nie może powrócić do podstawy auto-opróżniającej	Wokół podstawy auto-opróżniającej jest zbyt wiele przeszkód. Należy umieścić podstawę w bardziej otwartej przestrzeni. Należy wyczyścić obszar sygnalizacji podstawy auto-opróżniającej. Zmiana położenia robota może spowodować jego przepozycjonowanie lub ponowne mapowanie otoczenia. Jeśli robot znajduje się zbyt daleko od podstawy auto-opróżniającej, może nie być w stanie automatycznie powrócić do podstawy. W takim przypadku należy ręcznie umieścić robota na podstawie auto-opróżniającej.
Robot działa nieprawidłowo	Wyłącz i włącz robota ponownie.
Robot wydaje dziwny dźwięk	Obcy przedmiot może zaplątać się w szczotkę główną, szczotkę boczną lub jedno z kół głównych. Zatrzymaj odkurzacz i usuń wszelkie zanieczyszczenia.
Robot nie czyści tak skutecznie, jak wcześniej, lub pozostawia kurz za sobą	Pojemnik na kurz jest pełny. Należy wyczyścić pojemnik na kurz i wlot kurzu. Filtr jest zapchany. Należy go oczyścić. Obcy przedmiot zaplątał się w szczotkę główną. Należy go usunąć.

Pytania i odpowiedzi

Rodzaj problemu	Rozwiązanie
Robot nie może się połączyć z siecią Wi-Fi	<p>Wystąpił problem z połączeniem Wi-Fi. Należy zresetować połączenie Wi-Fi i pobrać najnowszą wersję aplikacji Dreamehome, a następnie spróbować ponownie nawiązać połączenie.</p> <p>Pozwolenie na dostęp do lokalizacji nie jest aktywne. Upewnij się, że zezwolenie na dostęp do lokalizacji w aplikacji Dreamehome jest aktywne.</p> <p>Sygnał sieci Wi-Fi jest za słaby. Należy upewnić się, że robot znajduje się w obszarze z dobrym zasięgiem sieci Wi-Fi. Wi-Fi 5 GHz nie jest obsługiwane. Upewnij się, że twój odkurzacz łączy się z Wi-Fi 2,4 GHz.</p> <p>Nazwa użytkownika lub hasło Wi-Fi jest nieprawidłowe. Należy upewnić się, czy zostały wprowadzona prawidłowa nazwa i hasło użytkownika.</p>
Robot nie rozpoczyna zaplanowanego czyszczenia	Robot ma słabą baterię. Zaplanowane czyszczenie nie rozpocznie się, dopóki bateria robota nie będzie naładowana co najmniej w 15%.
Czy pozostawienie odkurzacza w stacji ładowania zużywa dodatkową energię, jeśli odkurzacz jest w pełni naładowany?	Pozostawienie robota na podstawie auto-oprózniającej, gdy robot jest w pełni naładowany, zużywa bardzo mało energii elektrycznej i pomaga utrzymać optymalną wydajność baterii.
Z modułu myjącego nie wypływa woda lub jest jej bardzo mało	<p>Należy upewnić się, że zbiornik jest napełniony wodą.</p> <p>W razie potrzeby wyczyść wkład myjący.</p> <p>Należy upewnić się, że wkład myjący jest zainstalowany prawidłowo, zgodnie z instrukcją obsługi.</p> <p>Należy oczyścić otwór w zbiorniku na wodę.</p>
Robot nie wznawia czyszczenia po naładowaniu	Należy upewnić się, że robot nie jest w trybie „nie przeszkadzać”, co uniemożliwia wznowienie czyszczenia. Robot nie wznawia czyszczenia po ręcznym naładowaniu lub umieszczeniu go na podstawie auto-oprózniającej.

Pytania i odpowiedzi

Rodzaj problemu	Rozwiązanie
Robot powraca do podstawy auto-oprózniającej, ale zadanie automatycznego odprowadzania kurzu nie następuje.	Tryb "Nie przeszkadzać" uniemożliwia automatyczne wykonywanie zadań odprowadzania kurzu.
Worek na kurz jest pełny	Należy sprawdzić, czy worek na kurz jest pełny. Jeśli tak, należy wymienić go na nowy. Zaleca się wymianę worka co 8-10 tygodni. Jeśli worek nie jest pełny, należy sprawdzić, czy wlot kurzu lub kanał powietrzny w dolnej części stacji ładowania jest zablokowany. Należy usunąć wszelkie obce przedmioty przed ponownym użyciem.
Zadanie odprowadzania kurzu może czasem zostać wydłużone	Gdy odkurzacz wykonuje zadania odprowadzania kurzu przez pewien czas lub gdy kanał powietrzny nie działa płynnie, czas odprowadzania kurzu zostanie wydłużony, aby zapobiec zablokowaniu.
Górna pokrywa podstawy nie jest zamknięta	Należy sprawdzić czy worek na kurz jest zamontowany. Jeśli nie, należy zamontować worek na kurz.

W celu uzyskania dodatkowej obsługi prosimy o kontakt poprzez e-mail: aftersales@dreame.tech

Strona internetowa: <https://global.dreametech.com>

Dane techniczne

Robot

Model	RLS6AD
Czas ładowania	Ok. 6 godzin
Napięcie znamionowe	14,4 V \approx
Moc znamionowa	46 W
Częstotliwość operacji	2400-2483,5 MHz
Maksymalna moc wyjściowa	< 20 dBm

Podstawy auto-oprózniającej

Model	RCS2
Wejście	220-240 V~ 50-60 Hz
Wyjście	19,8 V \approx 1 A
Moc znamionowa	800 W

W normalnych warunkach użytkowania to urządzenie powinno znajdować się w odległości 20 cm od anteny i ciała użytkownika.

Utylizacja i wyjmowanie baterii

Wbudowany akumulator litowo-jonowy zawiera substancje niebezpieczne dla środowiska. Przed utylizacją należy upewnić się, że akumulator został wyjęty przez wykwalifikowanych techników i zutylizowany w odpowiednim punkcie recyklingu.

- bateria musi być wyjęta z urządzenia przed jego złomowaniem;
- podczas wyjmowania baterii urządzenie musi być odłączone od zasilania;
- baterię należy zutylizować w bezpieczny sposób.

UWAGA:

- Przed wyjęciem baterii należy odłączyć zasilanie i maksymalnie wyczerpać baterię.
- Niepotrzebne baterie należy zutylizować w odpowiednim punkcie recyklingu.
- Nie należy wystawiać na działanie wysokiej temperatury, aby uniknąć ryzyka wybuchu.
- Z powodu niewłaściwych warunków z baterii może zostać wydostać się ciecz. Jeśli dojdzie do kontaktu ciała z cieczą, należy opłukać dane miejsce pod wodą i zasięgnąć pomocy medycznej.

Instrukcja demontażu

1. Odwróć robota, użyj odpowiedniego narzędzia do odkręcenia śrub znajdujących się z tyłu robota, a następnie zdejmij pokrywę.
2. Odłącz zaciski pomiędzy baterią a płytą główną, aby wyjąć baterię.

Informacje dotyczące europejskiej dyrektywy WEEE



Wszystkie produkty opatrzone tym symbolem są zużytym sprzętem elektrycznym i elektronicznym (WEEE, jak w dyrektywie 2012/19/UE), które go nie należy mieszać z niesortowanymi odpadami domowymi. Należy chronić zdrowie ludzkie i środowisko poprzez przekazanie sprzętu specjalnemu punktowi zbiórki odpadów do recyklingu zużytego sprzętu elektrycznego i elektronicznego, wyznaczonego przez władze rządowe lub lokalne. Prawidłowa utylizacja i recykling pomogą zapobiec potencjalnym negatywnym skutkom dla środowiska i zdrowia ludzkiego. Aby uzyskać więcej informacji na temat lokalizacji oraz warunków takich punktów zbiórki, należy skontaktować się z instalatorem lub władzami lokalnymi.

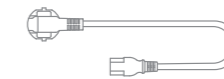
- הרחיקו שערות, אצבעות וחלקי גוף אחרים מפתח הניקה של רובוט.
- הרחיקו את מברשת הניקוי מהישג ידם של ילדים.
- אין להניח ילדים, בעלי חיים או כל פריט אחר מעל רובוט בין אם הוא בתנועה או עומד.
- אין לעשות שימוש ברובוט לניקוי חומרים בוערים. אין להשתמש ברובוט להרמת נזלים דליקים או ניצתים, גזים מאכלים, או חומצות לא מדוללות או ממיסים.
- אין לשאוב חפצים קשים או חדים. אין להשתמש במכשיר להרים עצמים כגון אבנים, חתיכות גדולות של נייר או כל חפץ שעלול לתקוע את המכשיר.
- ודא שהשואב כבוי ובסיס האוטו-ריקון מנותק לפני הניקוי או ביצוע התחזוקה.
- אין להשתמש במטלית רטובה לניגוב או בנוזל כלשהו כדי לשטוף את השואב והבסיס. יש לייבש חלקים נשטפים לחלוטין לפני התקנה מחדש ושימוש בהם.
- אנא וודאו כי רובוט כבוי בעת הובלתו ממקום למקום ודאגו לשמור אותו במארז המקורי שלו ככל הניתן.
- יש להשתמש במוצר זה בהתאם להנחיות המצוינות במדריך זה למשתמש. המשתמשים אחראים על אובדן או נזק הנובע כתוצאה משימוש לא נכון במוצר זה.

על מנת להמנע מהתחשמלות, שריפה או פציעה בנגרם עקב שימוש לא נכון במכשיר, אנא קראו את המדריך למשתמש לעומק לפני המשימוש במכשיר ושמרו עליו לעיון בעתיד.

- כדי להבטיח הפעלה בטוחה ולמנוע תאונות, אסור השימוש במוצר זה לילדים בני פחות מ-8 שנים, לאנשים מבוגרים עם מגבלות גופניות, תחושתיות או מנטלית או לחסרי ידע או ניסיון, ללא השגחה של הורה או מבוגר אחראי. אין להתיר לילדים לבצע ניקוי ותחזוקה ללא השגחה.
- חל איסור על ילדים לשחק עם מוצר זה. וודאו כי ילדים ובעלי חיים נמצאים במרחק בטוח מרובוט בעת הפעלתו.
- מוצר זה נועד לניקוי רצפה בסביבה ביתית בלבד. אין לעשות בו שימוש במקום פתוח, על גבי משטחים שאינם רצפה או בסביבה מסחרית או תעשייתית.
- במידה וכבל החשמל נפגם או מתקלקל, הפסיקו מיד את השימוש במוצר וצרו קשר עם מרכז השירות לאחר מכירה.
- אין לעשות שימוש ברובוט בשטח שתלוי מעל גובה הרצפה ללא מחסום הגנה.
- אין להניח את הרובוט הפוך. אין להשתמש במכסה ה - LDS, מכסה הרובוט, או פגוש כידית לרובוט.
- אין לעשות שימוש ברובוט בטמפרטורת סביבה מעל 40°C או מתחת ל- 0°C או על רצפה עם נזלים או חומרים דביקים.
- הרימו כבלים מהרצפה טרם השימוש ברובוט וזאת על מנת למנוע גרירה שלהם בזמן ביצוע פעולת הניקיון.
- הסירו פריטים שבירים או קטנים מהרצפה וזאת על מנת למנוע היתקלות של רובוט בהם וגרירתם.
- כדי למנוע נזק או פגיעה מגרירה, יש לנקות את כל האובייקטים הרופפים מהרצפה ולהסיר כבלים או כבלי חשמל בנתיב הניקוי לפני הפעלת המכשיר.



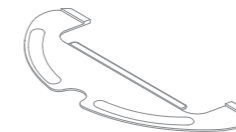
בסיס אוטו-ריקון



כבל חשמל

תיק איסוף אבק
(החלפה)

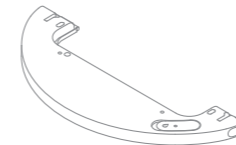
מברשת צדדית



פד מגב



כלי ניקוי



מיכל מים

מידע בטיחותי

סוללות וטעינה

- אין להשתמש בסוללה או בבסיס אוטו-ריקון של צד שלישי. השתמש רק עם יחידת אספקה RCS2.
- אל תנסה לפרק, לתקן או לשנות את הסוללה או את בסיס האוטו-ריקון בעצמך.
- אין למקם את בסיס האוטו-ריקון בקרבת מקור חום.
- אין לעשות שימוש במטלית רטובה או בידיים רטובות לניגוב או לניקוי מגעי הטעינה של בסיס האוטו-ריקון.
- אין להשליך סוללות ישנות באופן לא ראוי. סוללות לא נחוצות יש להשליך במתקן מחזור מתאים.
- אם השואב לא ישמש למשך פרק זמן ממושך, טען אותו במלואו, ואז כבה אותו ואחסן אותו במקום קריר ויבש. טען מחדש את השואב לפחות פעם ב-3 חודשים כדי למנוע פריקה מוגזמת.
- מוצר זה כולל סוללות הניתנות להחלפה על ידי טכנאים מוסמכים או על ידי מרכז שירות לאחר מכירה בלבד.

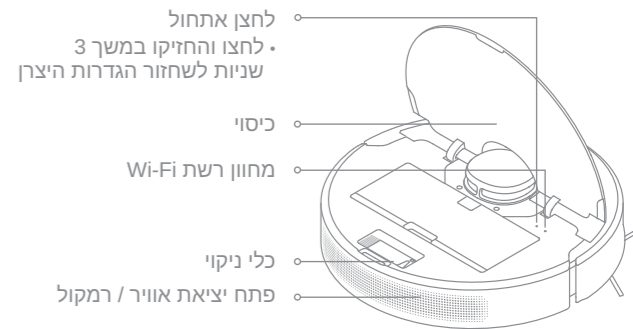
מידע בנושא בטיחות לייזר

- חיישן הלייזר במוצר זה עומד בתקן IEC 60825-1: 2014 עבור מוצרי לייזר Class 1. יש להימנע מקשר עין ישיר עמו במהלך השימוש.

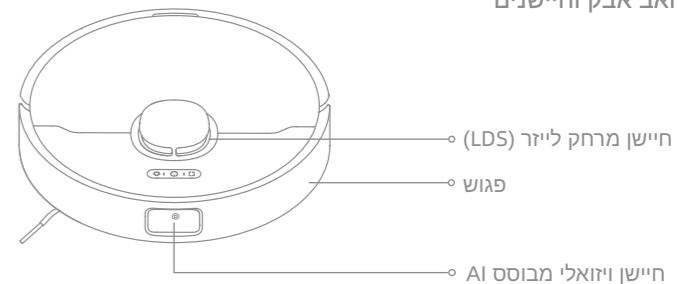
לעיון במדריך מקוון מפורט, בקר בכתובת
<https://global.dreame.tech.com/pages/user-manuals-and-faqs>

סקירת המוצר

רובוט

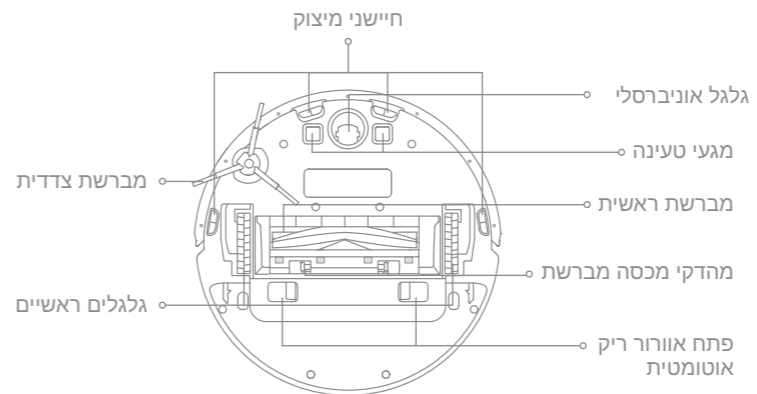


שואב אבק וחיישנים



סקירת המוצר

רובוט



כפתור נקייון נקודתי
 • לחצו לחיצה קצרה להתחלת נקייון נקודתי

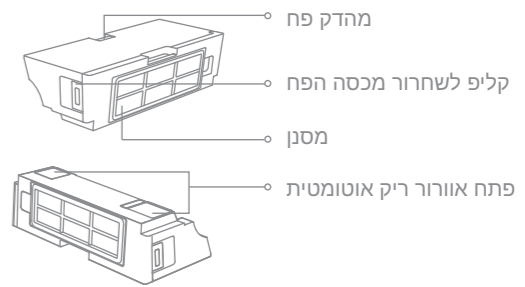
לחצן הפעלה / כיבוי / נקייון
 • לחצו והחזיקו למשך 3 שניות להדליק או לכבות
 • לחצו לחיצה קצרה להתחיל בנקייון (לאחר הדלקת הרובוט)

לחצן עגינה
 • לחץ כדי לשלוח את השואב בחזרה לבסיס אוטו-ריקון
 • לחצו והחזיקו 3 שניות על מנת להסיר את מנועל הילדים

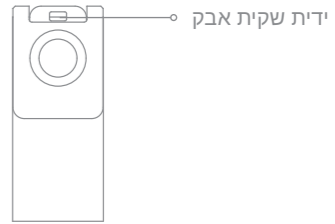
מחוון סטטוס
 • לבן: במצב נקייון או שפעולת הניקייון הסתיימה
 • כתום מהבהב: שגיאה (תקלה)
 • כחול: ניטור המצלמה מופעל

סקירת המוצר

סל אבק

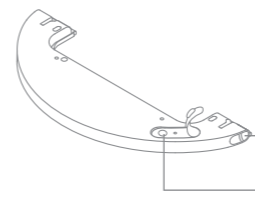


תיק איסוף אבק



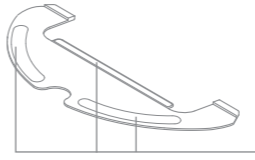
הערה: בשל הגדרת המפעל, שקית איסוף אבק חדשה כבר הותקנה בפנים.

רכיב ניגוב



מיכל מים

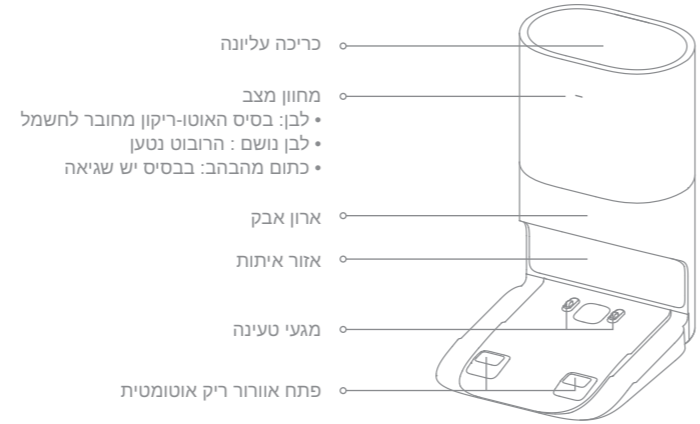
פד מגב



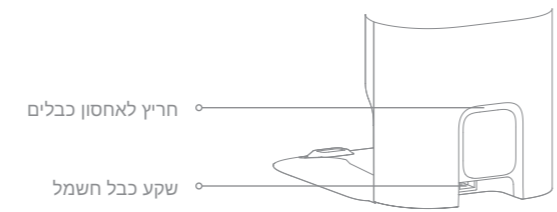
אזור חיבור

סקירת המוצר

בסיס אוטו-ריקון



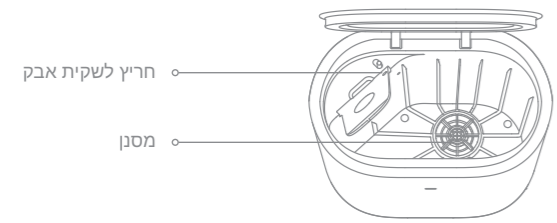
גב



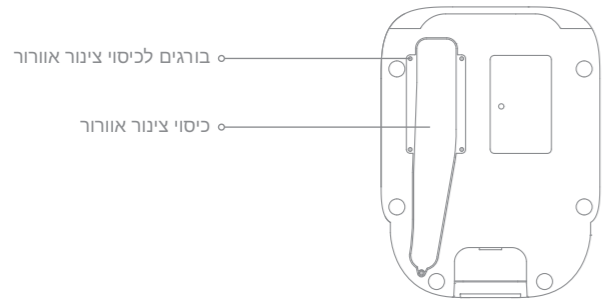
חריץ לאחסון כבלים

שקע כבל חשמל

פתח את המכסה העליון



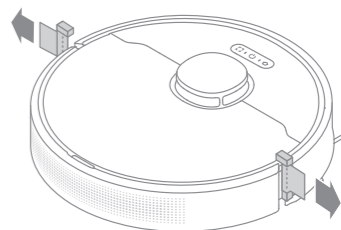
תחתית



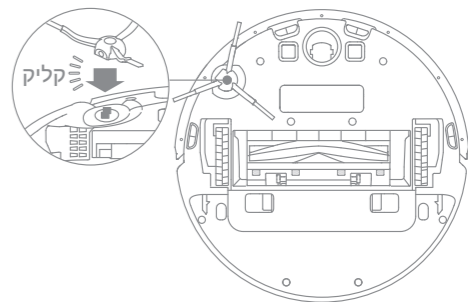
בורגים לכיסוי צינור אוורור

כיסוי צינור אוורור

1. הסירו את פסי המגן



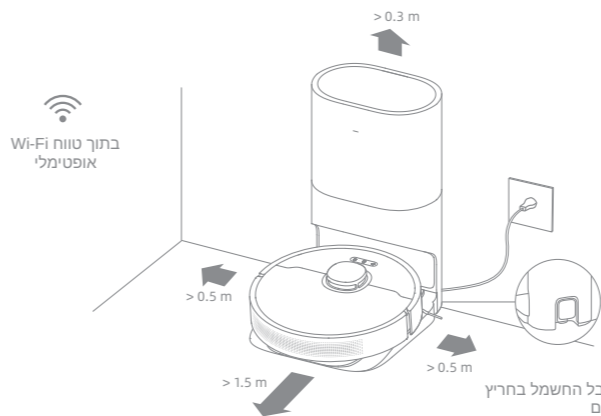
2. התקינו את המברשת הצדדית



הערה: יש להתקין את המברשת הצדדית עד שהיא תילחץ למקומה.

3. חברו את הבסיס לחשמל והתחלו בטעינה

הניחו את בסיס האוטו-ריקון על משטח מאוזן ובצמוד לקיר וחברו אותו לחשמל. הניחו את הרובוט על תחנת בסיס האוטו-ריקון מחדש. הרובוט יופעל אוטומטית ויטען. מומלץ לבצע טעינה מלאה בשימוש הראשון.



הרחיק את כבל החשמל בחריץ אחסון הכבלים

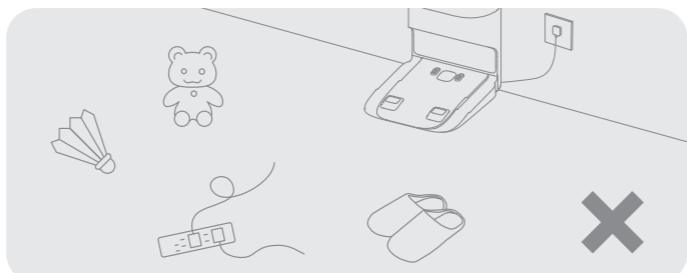
שימו לב:

- אגא ודאא שאין אף חפץ במרחק של 0.5 מטר או יותר בכל אחד מהצדדים של הבסיס, ושל יותר מ-1.5 מטר בחזית שלה.
- ודא שאף אובייקט לא עלול לחסום את אזור האיתות.

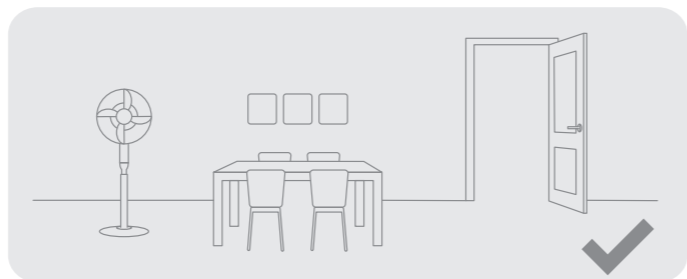
אודות בסיס האוטו-ריקון

מומלץ כי הרובוט יצא מהבסיס לפני הניקוי. פעולה זו מבטיחה שהרובוט יחזור לבסיס בצורה חלקה. אין להזיז את הבסיס בזמן שהרובוט מנקה. לאחר שהמכשיר משלים את משימת הניקיון וחוזר באופן אוטומטי לבסיס, הבסיס יחל להתרוקן באופן אוטומטי. ניתן לשלוט ביותר הגדרות מהאפליקציה.

הכנת הבית שלך



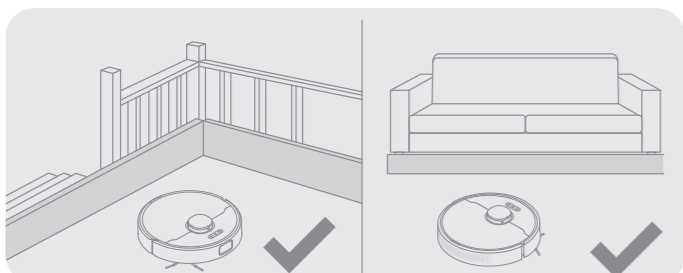
נקה פריטים כגון כבלי חשמל, מטליות, נעלי בית וצעצועים כדי לשפר את היעילות של הרובוט.



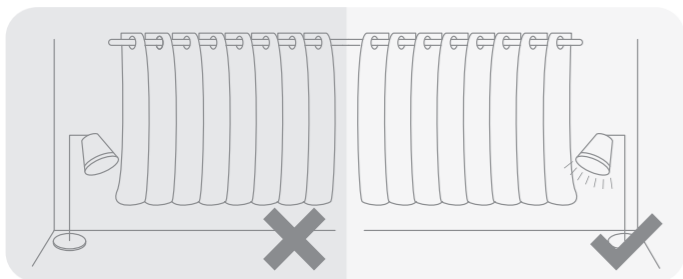
פתחו את דלת החדר שיש לנקות, והניחו רהיטים (כגון כיסאות) במקום ראוי על מנת לפנות יותר מקום.

שימו לב:

- בזמן הפעלת הרובוט בפעם הראשונה, עקבו אחריו בזמן הניקוי כדי להסיר את כל המכשולים הפוטנציאליים בזמן.
- על מנת למנוע מהרובוט אי יכולת לזהות את האיזור לניקוי, אל תעמדו בטווח מול הרובוט, מסדרונות או מקומות צרים.



לפני הניקיון, אנה השתמשו בחפץ לחסום איזורים נמוכים א איזורים שיש בהם חשש לנפילה, על מנת לשמור על הרובוט ולהבטיח את תנועתה החופשית.




באמצעות החיישן החזותי של הבינה המלאכותית, הרובוט יכול לזהות ולהימנע טוב יותר ממכשולים כגון כבלי חשמל, נעליים וגרביים, כדי להפיק את המרב מהחיישן החזותי של הבינה המלאכותית, ולוודא שכל האזורים שיש לנקות מוארים היטב.


1. מיפוי מהיר

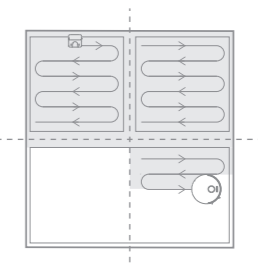
לאחר קביעת התצורה של הרשת בפעם הראשונה, בצע את ההוראות באפליקציה כדי ליצור במהירות מפה, והרובוט יתחיל למפות ללא ניקוי. כאשר השואב חוזר לבסיס, תהליך המיפוי הושלם והמפה תישמר באופן אוטומטי.

2. הפעלה / כיבוי

לחצו והחזיקו את כפתור ה-  למשך 3 שניות על מנת להדליק את הרובוט, וחיווי החשמל דלוק באופן קבוע. שימו את הרובוט על הבסיס, והרובוט נדלק אוטומטית ומתחיל להיטען. על מנת לכבות את הרובוט, היזו את הרובוט מהבסיס, ולחצו והחזיקו את כפתור ה-  למשך 3 שניות.

3. תחילת הניקיון

לחץ על הכפתור  בקצרה כדי להתחיל לנקות לאחר הפעלת השואב. לאחר מכן, השואב ימפה במדויק מסלול, ינקה באופן שיטתי לאורך הקצוות והקירות, ואז יסיים על ידי ניקוי כל חדר בתבנית בצורת S כדי להבטיח עבודה יסודית.



4. השהייה \ שינה

כאשר הרובוט פועל, לחץ על לחצן כלשהו כדי להשהות אותו. אם השואב מושהה למשך יותר מ-10 דקות, הוא נכנס באופן אוטומטי למצב שינה. כל האינדיקטורים על השואב יכבו. לחץ על כפתור בשואב, או השתמש באפליקציה כדי להעיר את השואב.

שימו לב:

- הרובוט יכבה באופן אוטומטי לאחר 12 שעות במצב שינה ללא טעינה.
- ברגע שהרובוט מושהה, הנחתו על בסיס האוטו-ריקון תסיים את משימת הניקיון הנוכחית.


5. מצב נא לא להפריע (DND)

כאשר הרובוט מוגדר למצב נא לא להפריע (DND), הרובוט יימנע מלחדש את הניקוי ומחווני ההפעלה כבה. מצב DND אינו זמין כברירת מחדל במפעל. באפשרותך להשתמש ביישום כדי להפוך את מצב DND לזמין או כדי לשנות את תקופת ה-DND. תקופת DND היא 8:00-22:00 כברירת מחדל.

שימו לב:

- משימות הניקוי המתוזמנות יבוצעו בזמן במהלך תקופת ה-DND.
- הרובוט יחדש את הניקוי היכן שהפסיק לאחר שתקופת ה-DND תפוג.

6. נקיון נקודתי

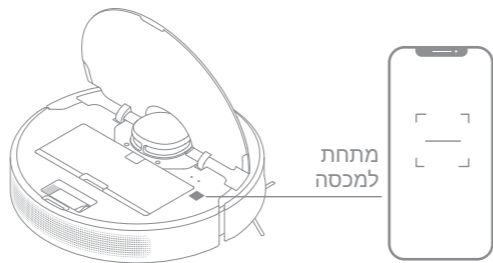
כאשר הרובוט נמצא בכוננות, לחץ בקצרה על הכפתור  כדי להפעיל את מצב ניקוי המקום. במצב זה, הרובוט מנקה שטח בצורת ריבוע של 1.5 x 1.5 מטר סביבו וחוזר לנקודת ההתחלה שלו לאחר השלמת ניקוי הנקודה.

התחברו באמצעות אפליקציית Dreamehome

מוצר זה עובד עם האפליקציה Dreamehome, שניתן להשתמש בה כדי לשלוט במכשיר שלך.

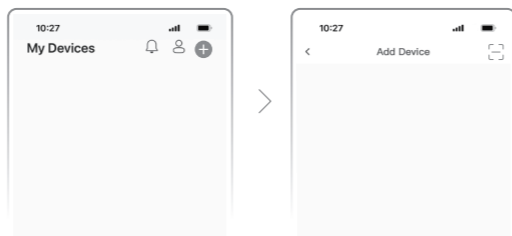
1. הורד את האפליקציה Dreamehome

סרוק את קוד ה-QR של הרובוט, או חפש את "Dreamehome" בחנות האפליקציות כדי להוריד ולהתקין את האפליקציה בהתאם לצרכים שלך.



2. הוסף רובוט



פתחו את ה-Dreamehome, הקישו על ה- " + " בפינה הימנית העליונה, וסרוקו את קוד ה-QR שלעיל שוב על מנת להוסיף את "DreameBot D10s Plus". נא פעל בהתאם להנחיות כדי לסיים את חיבור ה-Wi-Fi.



שימו לב:

- רק WiFi בתדר 2.4Ghz נתמך.
- תוכנת האפליקציה משתדרגת, והפעילות שלה בפועל עלולה להשתנות מהוראות במדריך זה. אנא עקבו אחר ההוראות בהתבסס על הגרסה העדכנית של האפליקציה.

3. אתחול רשת Wi-Fi

פתחו את המכסה העליון לגילוי מחוון רשת ה-Wi-Fi, לחצו והחזיקו את הכפתורים  ו  עד שיישמע קול שאומר "מתחיל לתצורת הרשת". ברגע שחיווי רשת ה-Wi-Fi מהבהב לאט, הדבר מציין שרשת ה-Wi-Fi אופסה בהצלחה.



שימו לב: אם מכשיר הטלפון שלכם אינו מצליח להתחבר לרובוט, אפסו את חיבור ה-WiFi והוסיפו את ההתקן מחדש.

תחזוקה שגרתית

חלקים

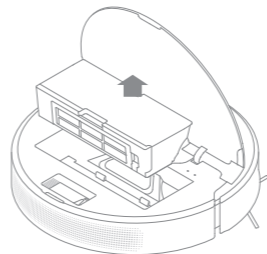
כדי לשמור על הרובוט במצב טוב, מומלץ להתייחס לטבלה הבאה לתחזוקה שוטפת.

חלק	תדירות אחזקה	תדירות החלפה
ספוג מגב	לאחר כל שימוש	כל 3 עד 6 חודשים
מברשת ראשית	פעם בשבועיים	פעם ב-6 עד 12 חודשים
מסנן מיכל האבק		כל 3 עד 6 חודשים
מברשת צדדית	פעם בחודש	/
אזור האיתות של הבסיס מתרוקן באופן אוטומטי		
מגעי טעינה		
פתח אוורור ריק אוטומטית		
גלגל אוניברסלי		
חיישן מרחק לייזר (LDS)		
חיישן ויזואלי מבוסס AI		
חיישני מיצוק	נקה בעת הצורך	/
מיכל מים		
סל אבק	/	8-10 שבועות
תיק איסוף אבק		

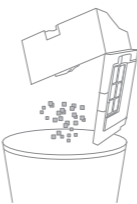
שימו לב: תדירות ההחלפה תהיה תלויה בשימוש שלכם ברובוט. אם יש יוצא מן הכלל בעקבות מקרה חריג, יש להחליף את החלקים.

ניקוי מיכל הפסולת והמסנן

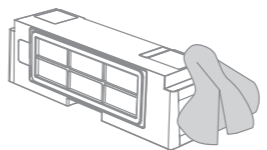
1. פתחו את מכסה הרובוט ולחצו על קליפ מיכל האבק לשחררו.



2. פתחו את מכסה המיכל ורוקנו את המיכל על פי התרשים.



3. נקו את פתח האוורור הריק האוטומטי.



אופן השימוש

7. ניקיון מתוזמן

ניתן לתזמן את זמן הניקוי באפליקציית Dreamehome. השואב יתחיל לנקות באופן אוטומטי בזמן המיועד ולאחר מכן יחזור לבסיס כדי לטעון עם סיום הניקוי.

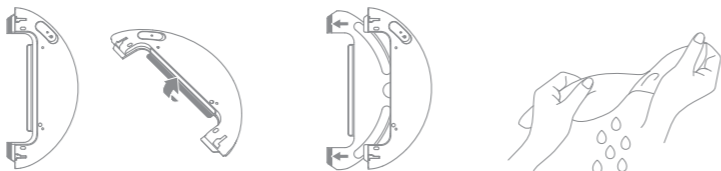
8. אפשרויות אפליקציה נוספות

עקבו אחר ההנחיות באפליקציה לאפשרויות נוספות. עקב שדרוג ועדכון מתמשך של האפליקציה, ייתכן שחלו שינויים קלים, נא פעלו ע"פ הגירסה הנוכחית.

9. שימוש בפונקציית ניגוב

לקבלת תוצאות שטיפת רצפה מיטביות, מומלץ לנקות את הרצפה 3 פעמים לפני הפעלת פונקציית הניגוב בפעם הראשונה.

1) הרטיבו את משטח המגב וסחטו החוצה את המים העודפים. התקן את משטח הסמרטוט כפי שמוצג בתרשים.



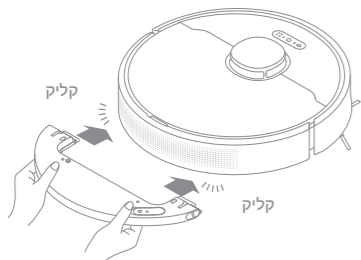
2) למלא את המיכל במים.



שימו לב:

- אין לעשות שימוש בתכשירי ניקוי או בחומרי חיסוי.
- אין למלא עם מים חמים, שעלולים לגרום לשינוי צורת מיכל המים.

3) יישרו את רכיב הניגוב כמצוין באמצעות החץ, לאחר מכן החליקו אותו לתוך החלק האחורי של הרובוט עד הישמע ה"קליק". לחצו על או השתמשו באפליקציית Dreamehome על מנת להתחיל בניקיון.

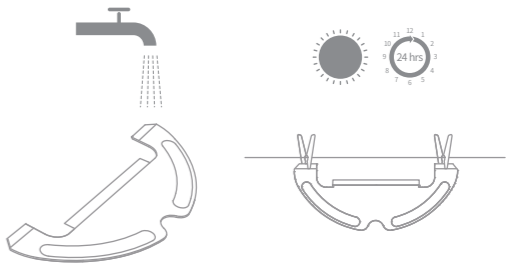


שימו לב:

- לא מומלץ להפעיל פעולת מגב על גבי שטיחים.
- השתמשו באפליקציה על מנת לכוון זרימת מים כנדרש.

תחזוקה שגרתית

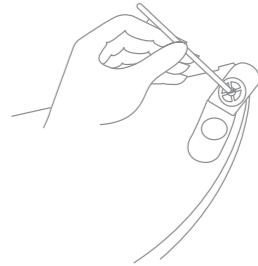
3. נקו את הסמרטוט במים בלבד והניחו לו להתייבש באוויר.



שימו לב:

הסירו את הסמרטוט מרכיב השטיפה לפני הניקוי, וודאו שהמים המלוכלכים אינם זורמים בחזרה לתוך יציאת המים כדי למנוע את סתימתה.

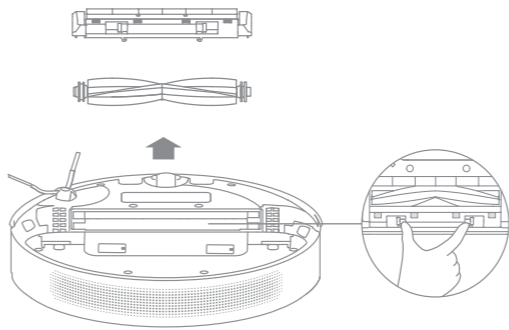
4. אם זרם המים חלש, או אם הנפח אינו מפוזר היטב, נקו את חורי האוויר במכסה מיכל המים.



תחזוקה שגרתית

ניקוי המברשת הראשית

1. לחצו על מהדקי מגן המברשת פנימה כדי להסיר את מגן המברשת ולהרים את המברשת מהרובוט.

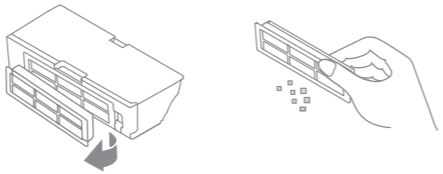


2. שלפו את כיסויי המברשת כפי שמוצג בתרשים. השתמשו בכלי הניקוי שסופק כדי להסיר את השיער שהסתבך במברשת.



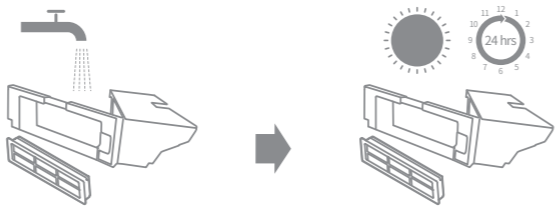
שימו לב: במידה והסתבך שיער סביב המברשת, אין למשוך את השיער בכוח, שלא ייגרם נזק למברשת.

4. הסירו את המסנן והקישו על סלו בעדינות.



הערה: אין לנסות לנקות את המסנן באמצעות מברשת, אצבע או עצמים חדים כדי למנוע נזק.

5. שטפו את פח האבק ומסננים במים ומייבשים אותם לחלוטין לפני ההתקנה מחדש.

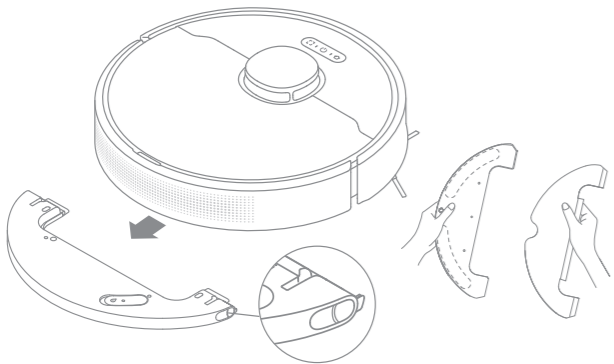


שימו לב:

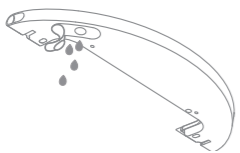
· שטפו את מיכל האבק ואת המסנן עם מים נקיים בלבד. אין להתמש בחומר ניקוי.
· יש להשתמש במיכל האבק והמסנן רק לאחר שהתייבשו לחלוטין.

ניקוי רכיב הניגוב

1. החלק את שני קליפס השחרור בצד מיכל המים כדי להסיר את מודול הניגוב, ולאחר מכן למשוך את כרית הסמרטוט ממודול הניגוב.



2. רוקנו את המים שנותרו במיכל המים והניחו לו להתייבש באוויר.



שימו לב: אין לחשוף את המיכל ישירות לשמש.

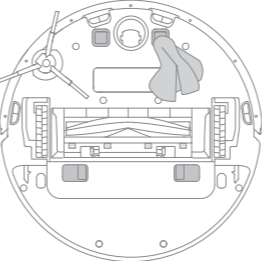
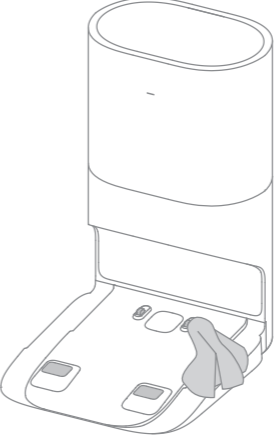
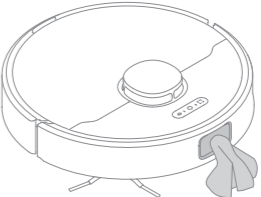
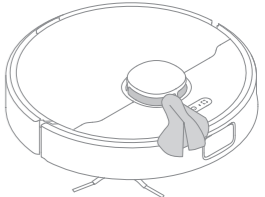
תחזוקה שגרתית

שימו לב: נא השתמשו בסמרטוט יבש לצורך ניקוי, מכיוון שהרובוט וחלקים פנימיים בתחנת הטעינה מכילים רכיבים גישים. אל תשתמשו בסמרטוט רטוב שלא ייגרמו נזקי מים.

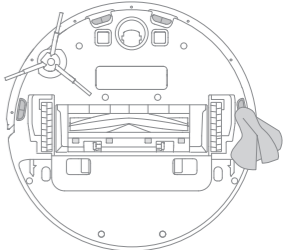
נקו את חיישן הלייזר LDS

לנקות את חיישן ויזואלי מבוסס AI

נקה את המגעים לטעינה ואת פתחי האוורור הריקים האוטומטים



ניקוי חיישן קצוות



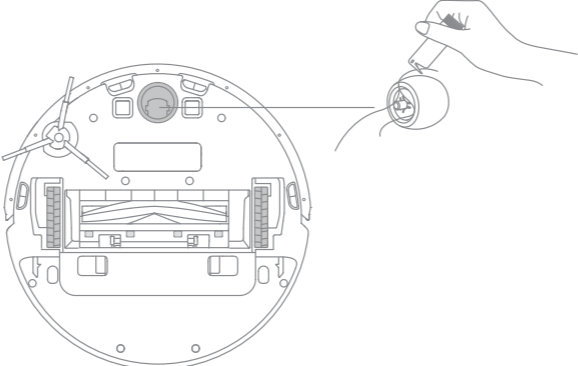
תחזוקה שגרתית

ניקוי המברשת הצדדית

שלפו את המברשת הצדדית והשתמשו בכלי הניקוי המצורף כדי להסיר כל שיער הסבוך במברשת.



ניקוי הגלגל הראשי והגלגל הרב-כיווני



שימו לב: השתמשו בכלי כגון מברג קטן להפריד את ציר וצמיג של הגלגל האונברסלי.

HE

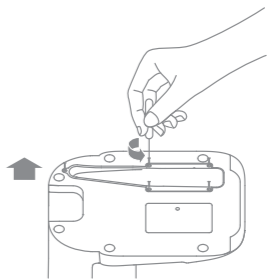
HE

תחזוקה שגרתית

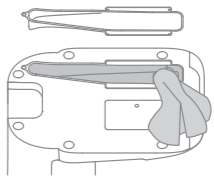
לנקות את צינור האוורור

אם צינור האווריר חסום, אנא נקה אותו בהתאם לשלבים הבאים.

1. בטל את הברגים להרכבה על מכסה צינור האווריר והסר את לוחית הכיסוי.



2. בדוק אם צינור האווריר חסום על ידי חפצים זרים. אם בכלל, תנקה אותם.



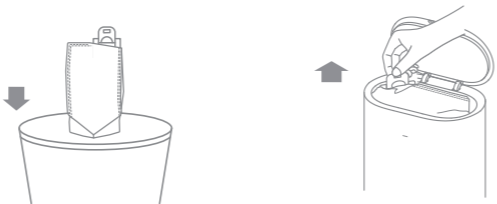
HE

תחזוקה שגרתית

החלף את תיק איסוף האבק

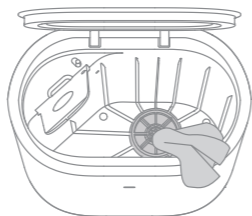
בהתאם למחווון המצב (כתום מהבהב) והנחיות אפליקציה, החלף אותו בחדש כאשר שקית איסוף האבק מלאה.

1. השלך את שקית איסוף האבק.

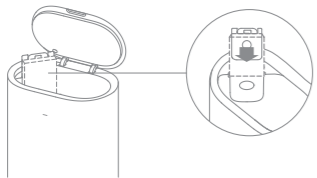


הערה: בעת הוצאת שקית איסוף האבק, סגור את ידית שקית האבק כדי למנוע דליפת אבק.

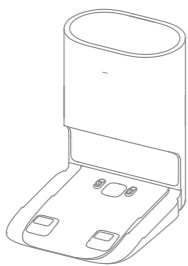
2. נקה את המסנן.



3. התקן שקית איסוף אבק חדשה.





4. סגור את הכיסוי העליון של בסיס אוטו-ריקון.



שימו לב: אין לסגור את הבסיס בכוח, אם המכסה העליון לא נסגר ומיכל האבק אינו במקומו.

רובוט מחדש

אם הרובוט מפסיק להגיב או שלא ניתן לכבותו, לחץ והחזק את הכפתור  למשך 10 שניות כדי לכבות אותו בכוח. לאחר מכן, לחץ והחזק את הכפתור  למשך 3 שניות כדי להפעיל את הרובוט.

סוללה

הרובוט מכיל סוללת ליתיום-יון מובנית עם ביצועים גבוהים, נא וודאו שהיא נותרת טעונה בשימוש יום-יומי כדי לשמור על ביצועי סוללה מיטביים. אם הרובוט לא בשימוש לפרק זמן ממושך, כבו אותו ואחסנו אותו. על מנת למנוע נזק לסוללה בשל פריקת-יתר, יש לטעון את הרובוט לפחות פעם בשלושה חודשים.

HE

שאלות ובעיות נפוצות

סוג הבעיה	פתרון הבעיה
הרובוט אינו מתחבר לרשת ה-Wi-Fi	חיבור Wifi אינו עובד כשורה. אפסו את רשת ה-Wi-Fi והורידו את הגרסה האחרונה של יישום Dreamhome, לאחר מכן נסו להתחבר בשנית. הרשאת המיקום אינה פתוחה. נא וודאו איפשור הרשאת מיקום עבור Dreamhome מופעלת. אות רשת ה-Wi-Fi חלש. אנא וודאו כי הרובוט נמצא בשטח עם קליטה טובה של רשת Wi-Fi. רשת Wifi בתדר 5Ghz לא נתמכת, נא וודאו חיבור הרובוט לרשת Wifi בתדר 2.4Ghz. שם המשתמש או הסיסמא של רשת ה-Wifi אינם נכונים. נא וודאו כי שם המשתמש והסיסמא נכונים.
הרובוט אינו מבצע ניקיון מתוזמן	הסוללה חלשה. ניקיון מתוזמן לא יתחיל אלא אם כן נותרו לפחות 15% סוללה טעונה של הרובוט.
האם השארת הרובוט ברציף הטעינה צורכת חשמל אם הוא כבר טעון במלואו?	השארת הרובוט בבסיס האוטו-ריקון לאחר טעינתו המלאה צורכת מעט מאוד חשמל ומסייעת בשמירה על ביצועי סוללה מיטביים.
מים לא יוצאים מרכיב הניגוב, או שרק כמות קטנה של מים יוצאת	וודאו כי מיכל המים מלא (ונקו את משטח הניגוב במידת הצורך). נקו את הסמרטוט במידה והתלכך. אנא וודאו כי הסמרטוט מותקן כנדרש בהתאם למדריך למשתמש. נקו את חורי האוויר במכסה מיכל המים.
הרובוט אינו ממשיך לנקות לאחר טעינתו	אנא וודאו כי הרובוט אינו מכוון על מצב "נא לא להפריע", מה שימנע ממנו לחזור ולנקות. הרובוט אינו חוזר לנקות כאשר הוא נטען באופן ידני או ממוקם על בסיס האוטו-ריקון.

HE

שאלות ובעיות נפוצות

סוג הבעיה	פתרון הבעיה
הרובוט אינו נדלק	רמת הסוללה נמוכה. לטעון את הרובוט בבסיס איסוף אבק טעינה, ואז לנסות את זה שוב. טמפרטורת הסוללה נמוכה מידי או גבוהה מידי. מומלץ להפעיל את המכשיר בטמפרטורה שבין 0°C ו-40°C.
הרובוט אינו נטען מחדש	בסיס האוטו-ריקון אינו מקבל חשמל. נא ודא ששני קצות כבל החשמל מחוברים כהלכה. מגע גרוע. מגעי טעינה נקיים של בסיס האוטו-ריקון והרובוט.
הרובוט לא יכול לחזור לבסיס איסוף האבק	יש יותר מדי מכשולים סביב בסיס האוטו-ריקון. מקם את הבסיס בשטח פתוח יותר. נא לנקות את אזור האיתות של בסיס אוטו-ריקון. הזזת הרובוט עלולה לגרום לו למקם את עצמו מחדש או למפות מחדש את סביבתו. אם הרובוט רחוק מדי מבסיס האוטו-ריקון, ייתכן שהוא לא יוכל לחזור באופן אוטומטי בכוחות עצמו, ובמקרה זה עליך למקם את הרובוט באופן ידני על הבסיס.
הרובוט אינו תקין	כבו את הרובוט והפעילו מחדש.
הרובוט מפיק רעש מוזר נעת הניקיון	יתכן וגוף זר נתפס בתוך המברשת הראשית, המברשת הצדדית או באחד מהגלגלים הראשיים. הפסיקו את פעולת הרובוט והוציאו את הלכלוך.
הרובוט אינו מנקה ביעילות או משאיר אבק	פח האבק מלא. נא לנקות את פח האשפה ואת צריכת האבק. המסנן חסום. אנא נקו אותו. גוף זר נלכד בתוך המברשת. אנא נקו אותה.

HE

מפרט טכני

רובוט

דגם	RLS6AD
זמן טעינה	משוער. 6 שעות
מתח מדורג	14.4 V \approx
הספק מדורג	46 W
תדר הפעלה	2400-2483.5 MHz
הספק פלט מקסימלי	< 20 dBm

בסיס אוטו-ריקון

דגם	RCS2
קלט מדורג	220-240 V~ 50-60 Hz
פלט מדורג	19.8 V \approx 1 A
הספק מדורג	800 W

בתנאי שימוש רגילים, יש לשמור על בציוד זה מרחק סביר של 20 ס"מ לפחות בין האנטנה לגוף המשתמש.

סילוק והסרה של סוללות

סוללת הליתיום-יון המובנית מכילה חומרים מסוכנים לסביבה. לפני השלכת הסוללה, ודא שהסוללה מוסרת על ידי טכנאים מוסמכים ומושלכת במתקן מיחזור מתאים.

- יש להסיר את הסוללה מהמכשיר לפני שהיא נשרטת;
- יש לנתק את המכשיר מרשתות האספקה בעת הסרת הסוללה;
- יש להיפטר מהסוללה בבטחה.

זהירות:

- לפני הסרת הסוללה, נתקו את החשמל ואזלו הסוללה ככל האפשר.
- יש להשליך סוללות לא נחוצות במתקן מיחזור מתאים.
- אין לחשוף לסביבת טמפרטורה גבוהה כדי למנוע סיכוני פיצוץ.
- בתנאים פוגעניים, נזול עשוי להיפלט מהסוללה. במקרה של מגע, יש לשטוף במים ולפנות לעזרה רפואית.

מדריך הסרה

- הפוך את השואב, השתמש בכלי מתאים כדי להסיר את הברגים בגב השואב, ולאחר מכן להסיר את המכסה.
- נתקו את ההדקים בין הסוללה ללוח PCB כדי להסיר את הסוללה.

שאלות ובעיות נפוצות

פתרון הבעיה	סוג הבעיה
מצב 'נא לא להפריע' מונע מהרובוט לבצע באופן אוטומטי משימות איסוף אבק.	הרובוט חוזר לבסיס האוטו-ריקון מבלי לבצע משימות איסוף אבק
בדוק אם שקית איסוף האבק מלאה. אם כן, החלף אותו באחד חדש. מומלץ להחליף את התיק כל 8-10 שבועות. אם לא, בדוק אם צריכת האבק או צינור האוויר בתחתית הבסיס חסומים. הסר כל חסימה לפני השימוש.	שקית איסוף האבק מלאה
כאשר הרובוט מבצע משימות איסוף אבק במשך תקופה מסוימת, או כאשר צינור האוויר אינו מתפקד בצורה חלקה, משך איסוף האבק יורחב כדי למנוע חסימה.	משך איסוף האבק יכול להיות ארוך באופן בלתי מתקבל על הדעת לפעמים
בדוק אם מותקנת שקית איסוף אבק. אם לא, התקן אחד.	המכסה העליון לא נסגר

לקבלת שירותים נוספים, אנא צרו איתנו קשר באמצעות aftersales@dreame.tech
אתר אינטרנט: <https://global.dreametech.com>

معلومات السلامة

يرجى قراءة دليل المستخدم بعناية قبل استخدام الجهاز والاحتفاظ به للرجوع إليه في المستقبل، لتفادي حدوث صدمة كهربائية أو حريق أو إصابة ناجمة عن الاستخدام غير السليم للجهاز.

قيود الاستخدام

- يجب ألا يستخدم هذا المنتج الأطفال دون سن ٨ أعوام أو الأشخاص الذين يعانون من عيوب جسدية أو حسية أو فكرية أو خبرة أو معرفة محدودة من دون إشراف أحد الوالدين أو الوصي لضمان التشغيل الآمن وتجنب أي مخاطر. يجب ألا يعتمد الأطفال على التنظيف والصيانة دون إشراف.
- يجب ألا يلعب الأطفال بهذا المنتج. تأكد من بقاء الأطفال والحيوانات الأليفة على مسافة آمنة من الروبوت أثناء تشغيله.
- هذا المنتج مخصص لتنظيف الأرضيات في بيئة منزلية فقط. لا تستخدمه في الخارج أو على الأسطح غير الأرضية أو في بيئة تجارية أو صناعية.
- في حالة تلف سلك الطاقة أو تعطله، توقف عن استخدامه على الفور واتصل بخدمة ما بعد البيع.
- لا تستخدم الروبوت في منطقة معلقة فوق مستوى الأرض دون حاجز واقٍ.
- لا تضع الجهاز مقلوبًا، ولا تستخدم غطاء مستشعر LDS أو غطاء الجهاز أو ممتص الصدمات كمقبض للجهاز.
- لا تستخدم الروبوت عند درجة حرارة محيطية أعلى من ٤٠ درجة مئوية أو أقل من ٠ درجة مئوية أو على أرضية عليها سوائل أو مواد لاصقة.
- أبعاد أي كابلات من الأرضية قبل استخدام الروبوت لتجنب قيامه بسحبها أثناء التنظيف.
- قم بإزالة العناصر الهشة أو الصغيرة من الأرضية لمنع الروبوت من الاصطدام بها وتحطيمها.
- قبل تشغيل المكنسة قم بتنظيف المكان المراد تنظيفه من العناصر المتناثرة وترتيب كابلات وأسلاك الطاقة من المسار لمنع حدوث ضرر أو ضرر من السحب.
- أبق الشعر والأصابع وأعضاء الجسم الأخرى بعيدة عن فتحة الشفط الخاصة بالروبوت.
- احفظ أداة تنظيف الفرشاة بعيدة عن متناول الأطفال.
- لا تضع الأطفال أو الحيوانات الأليفة أو أي شيء على الروبوت بغض النظر عن كونه ثابت أو متحرك.
- لا تستخدم الروبوت لتنظيف أي أسطح مشتعلة. تجنب استخدام المكنسة لتنظيف السوائل القابلة للاشتعال أو الغازات المسببة للتآكل أو الأحماض أو المذيبات غير المخففة.

قيود الاستخدام

- ال تقم بكنس الأجسام الصلبة أو الحادة. لا تستخدم المكنسة لتنظيف أشياء مثل الحجارة أو قطع الورق الكبيرة أو أي عنصر قد يسد المجرى.
- تأكد من إيقاف تشغيل المكنسة وفصل قاعدة جمع الغبار قبل التنظيف أو إجراء الصيانة.
- لا تستخدم قطعة قماش مبللة للمسح أو أي سائل لشطف المكنسة والقاعدة. ويجب تجفيف الأجزاء القابلة للغسل بشكل جيد قبل تركيبها واستخدامها.
- تأكد من إيقاف تشغيل الروبوت عند نقله ثم ضعه في عبوته الأصلية إن أمكن.
- يرجى استخدام هذا المنتج وفقا للتعليمات الواردة في دليل المستخدم. يتحمل المستخدمون مسؤولية أي خسارة أو ضرر ناتج عن الاستخدام غير الصحيح لهذا المنتج.

SA

البطاريات والشحن

- لا تستخدم أي بطارية أو شاحن أو قاعدة جمع الغبار تابعة لشركة أخرى. تستخدم فقط مع وحدة الإمداد RCS2.
- يرجى عدم تفكيك البطارية أو قاعدة جمع الغبار أو إصلاحهما أو تعديلهما بنفسك.
- يرجى عدم وضع قاعدة جمع الغبار بالقرب من مصدر الحرارة.
- يرجى عدم استخدام قطعة قماش مبللة أو يدين مبلتين لمسح أو تنظيف موصلات شحن قاعدة جمع الغبار.
- لا تتخلص من البطاريات القديمة بشكل غير صحيح. يجب التخلص من البطاريات غير المطلوبة في مرفق إعادة التدوير المناسب.
- إذا لم يتم استخدام الروبوت لفترة طويلة، فقم بشحنه حتى يمتلئ بالشحن، ثم أطفئه واحفظه في مكان بارد وجاف. أعد شحن الروبوت مرة واحدة على الأقل كل 3 أشهر لتجنب التفريغ المفرط للبطارية.
- يحتوي هذا المنتج على بطاريات ال يمكن استبدالها إل من قبل فنيين مؤهلين أو خدمة ما بعد البيع.
- مستشعر الليزر في هذا المنتج يفى بمعيار IEC 60825-1: 2014 لمنتجات الليزر من الفئة 1. يرجى تجنب التوجيه للعين مباشرة أثناء الاستخدام.

معلومات السلامة من الليزر

للحصول على دليل إلكتروني مفصل، يُرجى الانتقال إلى <https://global.dreametech.com/pages/user-manuals-and-faqs>

تعريف بالمنتج

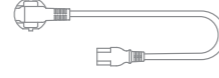
قائمة الملحقات



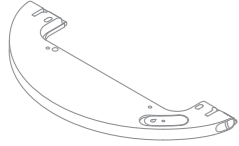
أداة التنظيف



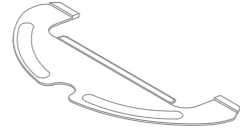
الفرشاة الجانبية



سلك الطاقة



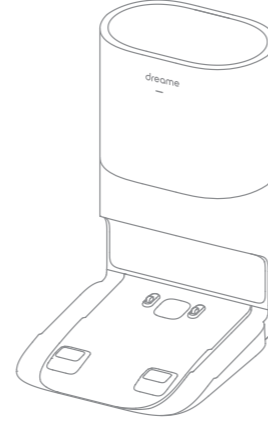
خزان المياه



وسادة ممسحة



كيس جمع الغبار
(بديل)



قاعدة جمع الغبار

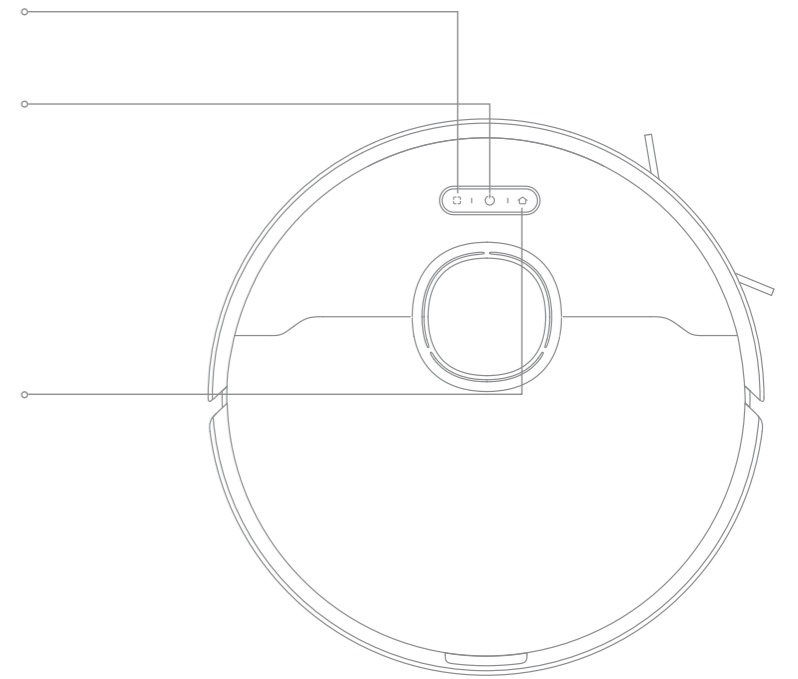
تعريف بالمنتج

الجهاز الرئيسي

التنظيف الموضعي
• اضغط لفترة وجيزة لبدء تنظيف الموضعي

زر التشغيل/تنظيف
• اضغط باستمرار لمدة 3 ثوانٍ للتشغيل أو الإيقاف
• اضغط لفترة وجيزة لبدء التنظيف بعد التشغيل

مفتاح القاعدة
• اضغط لإعادة المكنسة إلى قاعدة جمع الغبار
• اضغط مع الاستمرار لمدة 3 ثوانٍ لأغلاق وظيفة قفل الطفل
مؤشر الحالة
• الضوء الأبيض: جاري التنظيف أو اكتمل التنظيف
• وميض برتقالي: حالة خلل
• أزرق: تمكين رصد الكاميرا



تعريف بالمنتج

قاعدة جمع الغبار

- الغطاء العلوي
- مؤشر قاعدة جمع الغبار
- المصباح الابيض مضيء: قاعدة جمع الغبار متصلة بالطاقة
- وميض المصباح الابيض: جاري شحن الجهاز الرئيسي
- وميض برتقالي: يوجد خطأ في القاعدة

- خزانة الغبار
- منطقة انبعاث الاشارة
- موصلات الشحن
- مجرى التفريغ التلقائي

الوجه الخلفي

- فتحة لتخزين سلك الطاقة
- منفذ سلك الطاقة

افتح الغطاء العلوي

- منفذ قاعدة جمع الغبار
- الفلتر

الجزء السفلي

- برغي غطاء مجرى الهواء
- غطاء مجرى الهواء

تعريف بالمنتج

الجهاز الرئيسي

- زر اعادة الضبط
- اضغط مطولاً 3 ثوان
- لاستعادة إعدادات المصنع
- مؤشر Wi-Fi
- غطاء
- أداة التنظيف
- مخرج الهواء/السماعة

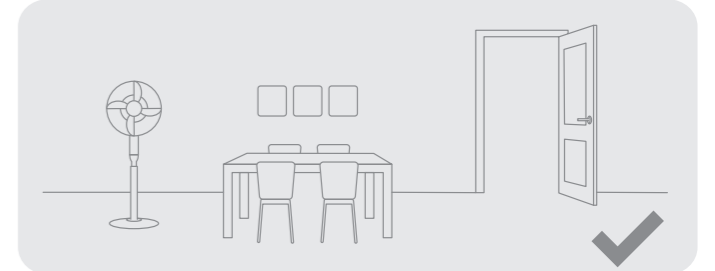
مستشعر الجهاز الرئيسي

- مستشعر ليزر LDS
- لوح الصدمات
- مستشعر AI البصري

- مستشعر الجرف
- عجلة عالمية
- موصلات الشحن
- الفرشاة الرئيسية
- زر فتح غطاء الفرشاة الرئيسية
- العجلات الرئيسية
- مجرى التفريغ التلقائي



لتحسين كفاءة عمل المكنسة يرجى ترتيب العناصر مثل أسلاك الطاقة ، والملابس ، والنعال ، والألعاب.



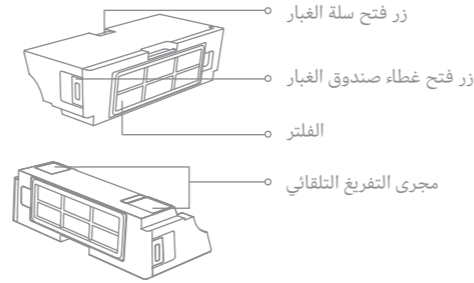
افتح باب الغرفة المراد تنظيفها، ثم ضع الأثاث في مكان مناسب لتوفير أكبر مساحة للتنظيف.

ملاحظة:

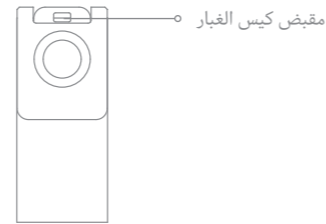
- عند تشغيل المكنسة لأول مرة، اتبعه أثناء التنظيف لإزالة أي عوائق محتملة في الوقت المناسب.
- يرجى تجنب الوقوف أمام الجهاز الرئيسي، عند العتبة والممرات الضيقة، حتى يستطيع الجهاز الرئيسي من التعرف على المنطقة المراد تنظيفها.

تعريف بالمنتج

سلة الغبار

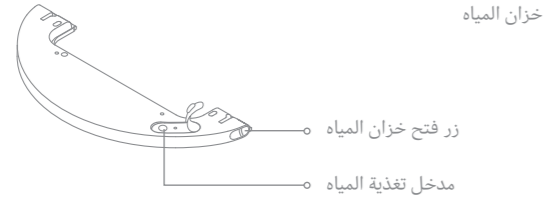


كيس جمع الغبار

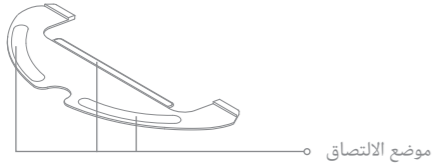


ملاحظة: عند الخروج من المصنع يتم تركيب كيس غبار جديد في سلة الغبار.

وحدة الممسحات



وسادة ممسحة

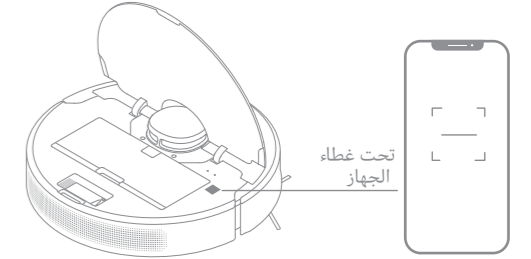


اتصل مع Dreamehome تطبيق

يعمل هذا المنتج مع تطبيق Dreamehome ، والذي يمكن استخدامه للتحكم في جهازك.

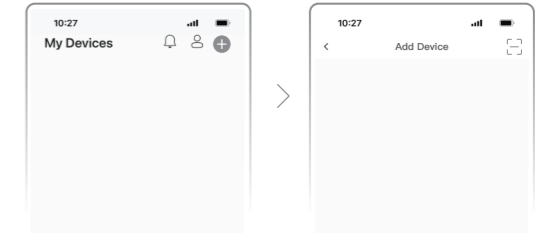
1. قم بتنزيل Dreamehome

امسح رمز الكود المرفق على المكنسة ، أو ابحث عن "Dreamehome" في متجر التطبيقات لتنزيل التطبيق وتبئته بناءً على احتياجاتك.



2. أضف الجهاز

افتح واجهة تطبيق Dreamehome، وانقر على علامة "+" في الزاوية العلوية اليمنى، ثم امسح رمز الكود أعلاه صوتيًا مرة أخرى لإضافة "DreameBot D10s Plus". يرجى اتباع التعليمات لإنهاء الاتصال بـ Wi-Fi.

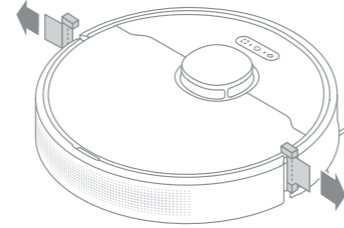


ملاحظة:

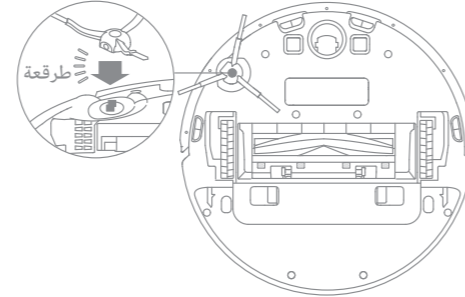
• يدعم اتصال Wi-Fi اللاسلكي فقط الشبكات في نطاق التردد 2.4 جيجا هرتز.
• نظراً لترقية برنامج التطبيق، وقد تختلف العمليات الفعلية عن البيانات الواردة في هذا الدليل.
يرجى اتباع الإرشادات بناءً على إصدار التطبيق الحالي.

قبل الاستخدام

1. قم بإزالة الشرائط الواقية



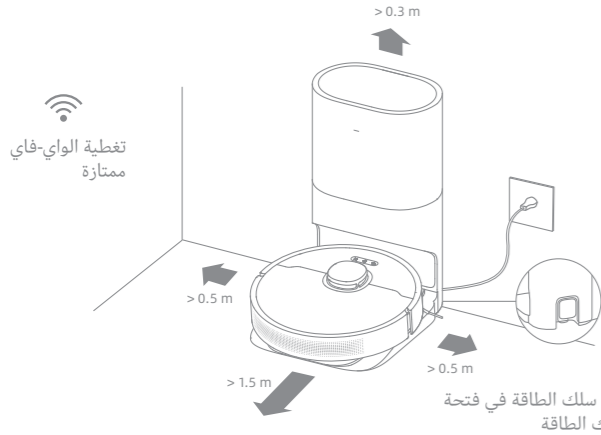
2. ركب الفرشاة الجانبية



ملاحظة: قم بتثبيت الفرشاة الجانبية حتى تستقر في مكانها.

3. قم بتوصيل القاعدة بأخذ طاقة وابدأ الشحن

ضع قاعدة جمع الغبار على أرض مستوية بالقرب من الحائط وقم بتوصيلها إلى مصدر الطاقة. سيتم تشغيل الجهاز الرئيسي تلقائيًا وبدء الشحن، بعد وضعه على قاعدة جمع الغبار. ينصح بشحنه جيداً عند أول استخدام.



قم بتخزين سلك الطاقة في فتحة تخزين سلك الطاقة

ملاحظة:

- تأكد من وجود مسافة 0.5 متر أو أكثر على جانبي قاعدة جمع الغبار، وأكثر من 1.5 متر أمامها.
- تجنب وضع أي عنصر على منطقة انبعاث الإشارة في قاعدة جمع الغبار.

حول قاعدة جمع الغبار

من أجل تسهيل عودة الجهاز الرئيسي إلى سلة الغبار بسلاسة بعد التنظيف، يفضل البدء بإخراج الجهاز من سلة الغبار ولا يجب تحريكه بشكل عشوائي أثناء عملية التنظيف.

بعد أن يكمل الروبوت مهمة التنظيف ويعود تلقائيًا إلى القاعدة ، ستبدأ القاعدة في التفريغ تلقائيًا. ويمكن تشغيل المزيد من الإعدادات على التطبيق.

كيفية الاستخدام

7. التنظيف المجدول زمنيا

يمكنك جدولة وقت التنظيف في تطبيق Dreamehome. وستبدأ المكنسة تلقائيا في التنظيف في الوقت المحدد ثم تعود إلى القاعدة لإعادة الشحن عند الانتهاء من التنظيف.

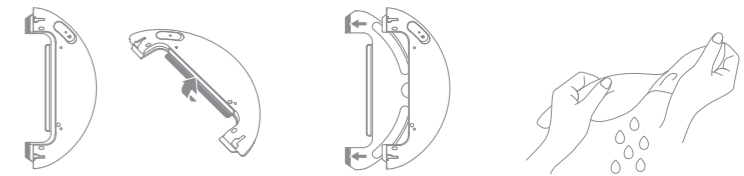
8. المزيد من وظائف التطبيق

اتبع التعليمات الواردة على شاشة التطبيق لاستخدام المزيد من الوظائف. لقد تم تحديث إصدار التطبيق قد تضاف بعض التعديلات الطفيفة، يرجى اتباع التعليمات بناءً على إصدار التطبيق الحالي.

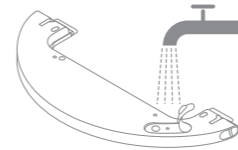
9. استخدام وظيفة المسح

من أجل تحقيق تأثير مسح أفضل، عند الاستخدام الاولي يوصى باستخدام وظيفة المسح بعد التنظيف 3 مرات.

1) بلل وسادة الممسحة واعصر الماء الزائد جيدا. قم بتثبيت وسادة الممسحة كما هو موضح في الرسم التخطيطي.



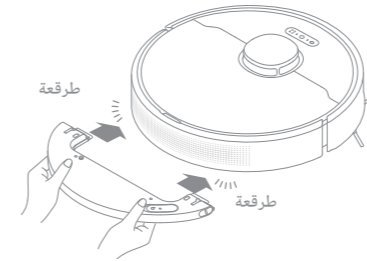
2) املاً الخزان بالماء.



ملاحظة:

- تجنب استخدام المنظفات أو المطهرات.
- لاتقم بملئ خزان المياه بالماء الساخن، فقد يتسبب في تشويه جسم خزان المياه.

3) ادفع خزان المياه بشكل متواز على طول الجزء الخلفي للجهاز الرئيسي، يشير سماع صوت "طرقعة" إلى أن التثبيت في مكانه، اضغط قصيراً على الزر أو استخدم تطبيق Dreamehome للبدء.



ملاحظة:

- لا ينصح باستخدام خاصية المسح على السجاد.
- استخدم التطبيق لضبط تدفق الماء حسب الحاجة.

كيفية الاستخدام

1. رسم الخرائط السريع

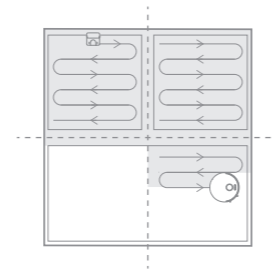
بعد أعداد الشبكة لأول مرة ، اتبع التعليمات الموجودة على التطبيق لإنشاء خريطة بسرعة ، وستبدأ المكنسة في رسم الخرائط دون تنظيف. عندما تعود المكنسة إلى القاعدة، تكون عملية التعيين قد اكتملت وسيتم حفظ الخريطة تلقائياً.

2. التشغيل/الإيقاف

اضغط مع الاستمرار على الزر 1 لمدة 3 ثوان لتشغيل المكنسة، وسيطع مؤشر مصدر الطاقة بشكل دائم. ضع المكنسة على القاعدة، وسيتم تشغيل المكنسة تلقائياً ويبدأ الشحن. ولإيقاف تشغيل المكنسة، قم بتحريكها بعيداً عن القاعدة، واضغط مع الاستمرار على الزر 1 لمدة 3 ثوانٍ.

3. بدء التنظيف

اضغط على الزر 1 لفترة وجيزة لبدء التنظيف بعد تشغيل المكنسة. بعدها ستقوم المكنسة برسم مسار دقيق، وستنظف بشكل منهجي على طول الحواف والجدران ، ثم تنهي بتنظيف كل غرفة على شكل حرف S لضمان عمل شامل.



4. وقوف / غفوة

عندما تكون المكنسة قيد التشغيل ، اضغط على أي مفتاح لإيقافه مؤقتاً. إذا تم إيقاف المكنسة مؤقتاً لأكثر من 10 دقائق، سوف تدخل تلقائياً في وضع السكون. وسيتم إيقاف تشغيل جميع المؤشرات الموجودة على المكنسة. اضغط على أي زر في المكنسة أو استخدم التطبيق لإيقاظ المكنسة.

ملاحظة:

- في حالة عدم الشحن، سيتم إيقاف التشغيل تلقائياً عندما يتجاوز وقت السكون 12 ساعة.
- سيتهي مهمة التنظيف الحالية عند وضع الجهاز الرئيسي على قاعدة جمع الغبار أثناء الإيقاف المؤقت.

5. وضع عدم الإزعاج (DND)

عندما يتم ضبط المكنسة على وضع عدم الإزعاج (DND) ، سيتم منع المكنسة من استئناف التنظيف وبنطفئ مؤشر الطاقة. يتم تعطيل وضع DND افتراضياً في المصنع. يمكنك استخدام التطبيق لتشغيل وضع DND أو تعديل فترة DND. فترة DND هي 8:00-22:00 افتراضياً.

ملاحظة:

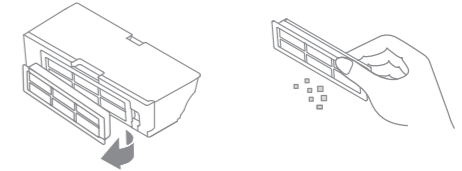
- سيتم تنفيذ مهام التنظيف المجدولة في الوقت المحدد خلال فترة DND.
- سيستأنف المكنسة التنظيف من حيث توقف بعد انتهاء فترة DND.

6. تنظيف موضعي

عندما تكون المكنسة في وضع الاستعداد ، اضغط قصيراً على مفتاح 2 لتشغيل وضع تنظيف البقع. في هذا الوضع ، تقوم المكنسة بتنظيف منطقة مربعة الشكل بمساحة 1.5 × 1.5 متر حولها وتعود إلى نقطة البداية بمجرد اكتمال تنظيف البقع.

الصيانة الروتينية

4. قم بإزالة الفلتر واضغط على السلة برفق.



ملاحظة: لا تحاول تنظيف الفلتر بفرشاة أو إصبع أو بأشياء حادة لمنع تلفه.

5. اشطف سلة الغبار والفلتر بالماء وجففها تمامًا قبل إعادة التثبيت.



ملاحظة:
• اشطف سلة الغبار والفلتر بالماء النظيف فقط ولا تستخدم أي منظفات.
• يرجى التأكد من التجفيف قبل الاستخدام.

الصيانة الروتينية

صيانة الأجزاء

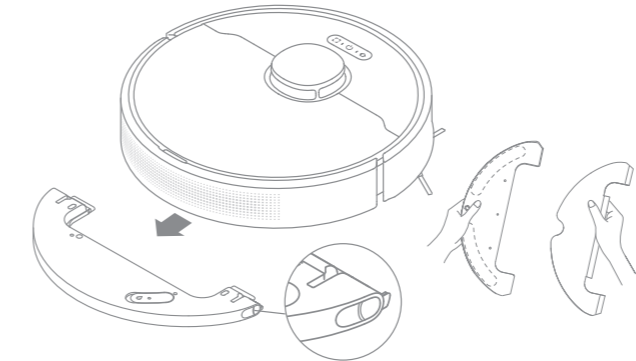
للحفاظ على المكبسة في حالة جيدة ، يوصى بالرجوع إلى الجدول التالي للصيانة الروتينية.

الأجزاء	تردد الصيانة	تردد الصيانة
وسادة ممسحة	ينصح بالتنظيف بعد كل استخدام	من 3 إلى 6 أشهر
الفرشاة الرئيسية	التنظيف مرة واحدة كل أسبوعين	من 3 إلى 6 أشهر
فلتر (صندوق الغبار)		
الفرشاة الجانبية	التنظيف مرة واحدة كل 1 شهر	/
منطقة إشارة قاعدة التفريغ التلقائي		
موصلات الشحن		
مجرى التفريغ التلقائي		
عجلة عالمية		
مستشعر ليزر LDS		
مستشعر AI البصري		
مستشعر الجرف	التنظيف حسب الحاجة	/
خزان المياه		
سلة الغبار	/	8-10 أسابيع
كيس جمع الغبار		

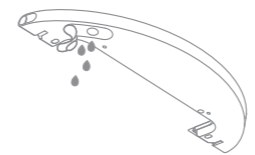
ملاحظة: يعتمد تكرار الاستبدال على الوضع الفعلي واستخدامك للمكبسة، وفي حال حدوث عطل لظروف خاصة، يجب استبدال الأجزاء.

تنظيف وحدة المسح

1. حرك مشبكي التثبيت الموجودين على جانب خزان المياه لإزالة وحدة المسح، ثم اسحب وسادة الممسحة من وحدة المسح.



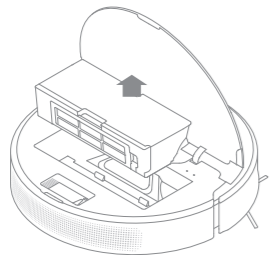
2. أفرغ المياه المتبقية داخل خزان المياه. نظفه بالماء فقط ثم دعه يجف بشكل طبيعي قبل إعادة التركيب.



ملاحظة: لا تعرض الخزان لأشعة الشمس مباشرة.

تنظيف سلة الغبار والفلتر

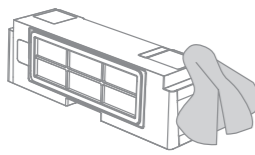
1. افتح غطاء الجهاز واضغط على زر فتح سلة الغبار لإزالتها.



2. افتح غطاء سلة الغبار وأفرغ السلة كما هو موضح في الرسم التخطيطي



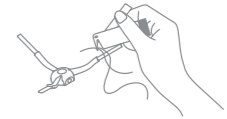
3. قم بتنظيف فتحة التهوية ذات التفريغ التلقائي.



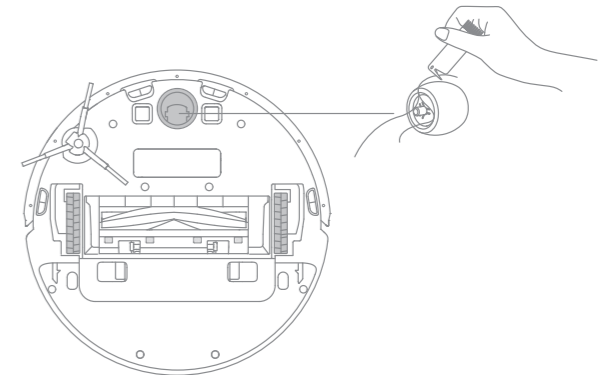
الصيانة الروتينية

تنظيف الفرشاة الجانبية

اسحب الفرشاة الجانبية واستخدم أداة التنظيف المرفقة لإزالة أي شعر متشابك في الفرشاة.



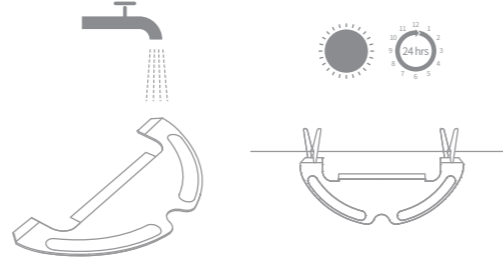
تنظيف العجلة الرئيسية وعجلة الدوران الحر



ملاحظة: استخدم أداة مثل مفك براغي صغير لفصل محور العجلة العامة وإطاراتها.

الصيانة الروتينية

3. قم بشطف وسادة الممسحة بالماء فقط واتركها تجف في الهواء قبل تركيبها.



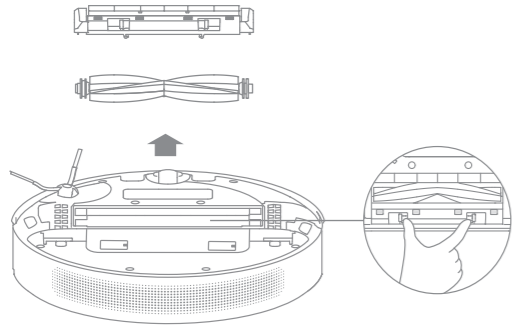
ملاحظة:
تأكد من إزالة الممسحة وتنظيفها بعد الاستخدام لمنع مياه الغير نظيفة من التدفق مرة أخرى وسد مخرج المياه.

4. في حالة حدوث تدفق بطيء للمياه، أو لم يتم توزيع الحجم بشكل جيد، يرجى تنظيف فتحة الهواء الموجودة في غطاء خزان المياه.



تنظيف الفرشاة الرئيسية

1. اضغط على مشابك واقى الفرشاة للداخل لإزالة واقى الفرشاة ورفع الفرشاة خارجاً للمكنسة.



2. اسحب أغطية الفرشاة كما هو موضح في الرسم التخطيطي. استخدم أداة التنظيف المتوفرة لإزالة الشعر المتشابك في الفرشاة.



ملاحظة: لا تسحب الشعر بقوة كبيرة لتجنب تلف الفرشاة عندما يكون الشعر متشابكاً بإحكام على الفرشاة.

الصيانة الروتينية

استبدال كيس الغبار

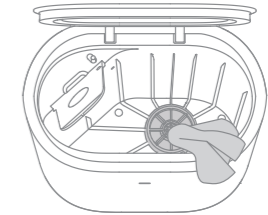
استبدل كيس الغبار بأخر عند الامتلاء وفقًا لمؤشر سلة الغبار (الضوء البرتقالي يومض بسرعة) أو وفقًا لمؤشر تطبيق الهاتف المحمول.

1. التخلص من كيس الغبار.



ملاحظة: عند إزالة كيس الغبار ، يغلق مقبض كيس الغبار لمنع تسرب الغبار بشكل فعال.

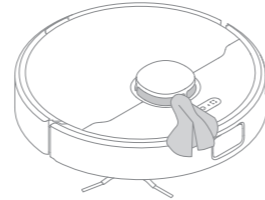
2. تنظيف الفلتر.



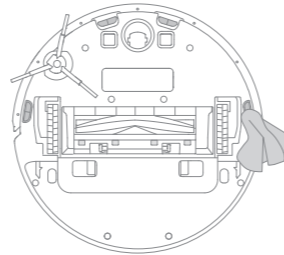
الصيانة الروتينية

ملاحظة: يحتوي الجهاز الرئيسي وقاعدة الشحن على مكونات إلكترونية حساسة، يرجى استخدام قطعة قماش جافة عند التنظيف. لا تستخدم قطعة قماش مبللة لمنع التلف.

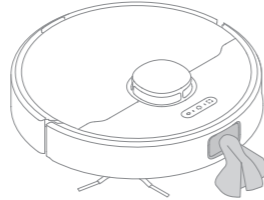
تنظيف مستشعر الليزر LDS



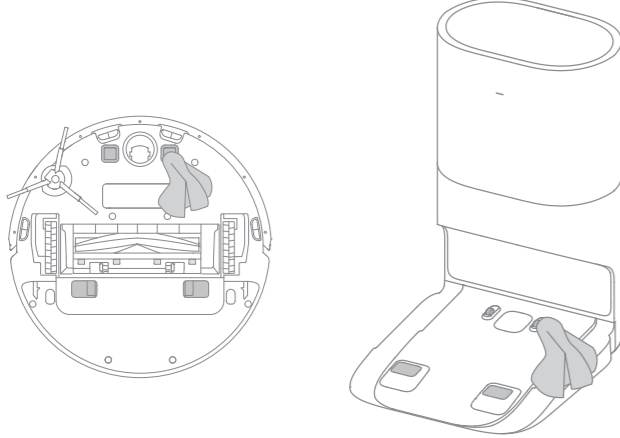
تنظيف مستشعر المنحدرات



نظف مستشعر AI البصري



قم بتنظيف موصلات الشحن وفتحة التهوية ذات التفريغ التلقائي



ملاحظة: يرجى عدم إغلاق الغطاء العلوي للقاعدة بقوة، في حال عدم التمكن من إغلاق الغطاء بسلاسة ولم يتم تثبيت كيس جمع الغبار.

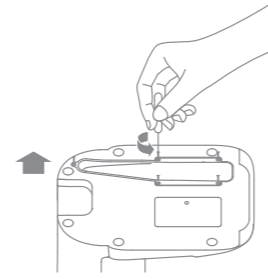
نوع المشكلة	طريقة الحل
لا يمكن تشغيل الجهاز	البطارية ضعيفة ، يرجى شحن قاعدة جمع الغبار قبل استخدامه. درجة حرارة البطارية منخفضة جدًا أو مرتفعة جدًا، ويوصى بتشغيل المكبسة عند درجة حرارة بين 0 درجة مئوية و 40 درجة مئوية.
لا يمكن الشحن	لم يتم وصل قاعدة جمع الغبار بالطاقة ، يرجى التأكد من توصيل طرفي سلك الطاقة الخاص بقاعدة جمع الغبار. التوصيل ضعيف ، يرجى تنظيف قاعدة جمع الغبار وموصلا شحن الجهاز.
لا يمكن العودة إلى قاعدة جمع الغبار	توجد العديد من العوائق بالقرب من قاعدة جمع الغبار ، يرجى وضع قاعدة جمع الغبار في منطقة مفتوحة. يرجى مسح منطقة انبعاث الإشارة في قاعدة جمع الغبار. بعد نقل الموقع ، سيتم تغيير موضع الجهاز ، وسيتم تجديد الخريطة بعد فشل تحديد الموقع ، إذا كان قاعدة جمع الغبار بعيده ، فقد لا يتمكن من العودة للشحن ، يرجى إعادة الجهاز يدويًا إلى قاعدة جمع الغبار لشحنه.
الجهاز الرئيسي لا يعمل بشكل سليم	أوقف تشغيل الجهاز الرئيسي ثم أعد تشغيله.
يوجد ضوضاء غير طبيعية أثناء التنظيف	قد يعلق جسم غريب في الفرشاة الرئيسية أو الفرشاة الجانبية أو إحدى العجلات الرئيسية. أوقف الجهاز الرئيسي وقم بالفحص.
انخفاض كفاءة التنظيف أو يتساقط الغبار	صندوق الغبار ممتلئ يرجى تنظيف صندوق الغبار ومدخل جمع الغبار. الفلتر مسدود الرجاء تنظيفه. هناك جسم غريب عالق في الفرشاة الرئيسية. يُرجى تنظيفها.

الصيانة الروتينية

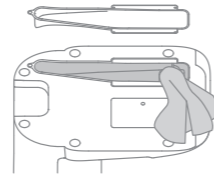
تنظيف مجرى الهواء

في حالة انسداد مجرى الهواء ، يرجى اتباع الخطوات التالية للتنظيف.

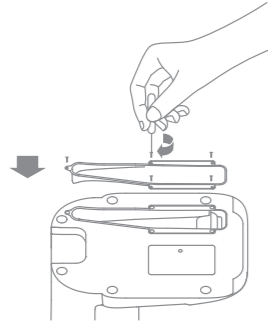
1. قم بفك برغي غطاء مجرى الهواء ومن ثم إزالة غطاء مجرى الهواء.



2. تحقق من إنسداد مجرى الهواء وقم بتنظيفه جيدًا.



3. أعد تركيب غطاء مجرى الهواء كما هو موضح في الشكل.



إعادة تشغيل المكبسة

إذا توقفت المكبسة عن الاستجابة أو تعذر إيقاف تشغيلها ، فاضغط مع الاستمرار على المفتاح (⏻) لمدة 10 ثوانٍ لإيقاف تشغيلها بالقوة. ثم اضغط مع الاستمرار على المفتاح (⏻) لمدة 3 ثوانٍ لتشغيل المكبسة.

البطارية

يحتوي الجهاز الرئيسي على حزمة بطارية ليثيوم أيون عالية الأداء. يرجى التأكد من أنها تظل مشحونة بشكل جيد أثناء الاستخدام اليومي للحفاظ على الأداء الأمثل للبطارية. إذا لم يتم استخدام الجهاز الرئيسي لفترة طويلة، فقم بإيقاف تشغيله ووضعه جانبًا. لمنع التلف الناتج عن التفريغ الزائد، يجب إعادة شحن الجهاز الرئيسي مرة واحدة على الأقل كل ثلاثة أشهر.

الأسئلة الشائعة

نوع المشكلة	طريقة الحل
ويعود الجهاز الى عدم إجراء جمع الغبار	ولن يتم إجراء جمع الغبار تلقائيًا خلال فترة عدم الإزعاج.
كيس الغبار بقاعدة جمع الغبار ممتلئ	يرجى التحقق مما إذا كان كيس الغبار الخاص بقاعدة جمع الغبار ممتلئًا ، واستبداله بكيس آخر جديد في الوقت المناسب ، يوصى باستبداله خلال 8-10 أسابيع ؛ إذا لم يكن كيس الغبار الخاص بقاعدة جمع الغبار ممتلئًا ، يرجى التحقق مما إذا كان مدخل جمع الغبار ومجرى الهواء الموجود في الجزء السفلي من قاعدة جمع الغبار مسدود ، يرجى إزالة أي انسداد قبل الاستخدام.
في بعض الأحيان يكون وقت جمع الغبار أطول	عند جمع الغبار لفترة معينة أو عندما لا تعمل مجرى الهواء بسلاسة ، سيتم تمديد وقت تجميع الغبار لمنع الانسداد.
فشل إغلاق غطاء القاعدة	يرجى التحقق مما إذا كان كيس الغبار سليم ، وتبديله اذا كان بحالة سيئة.

للحصول على المزيد من الخدمات، يرجى الاتصال بنا عبر aftersales@dreame.tech
الموقع: <https://global.dreametech.com>

الأسئلة الشائعة

نوع المشكلة	طريقة الحل
لا يمكن الاتصال بشبكة Wi-Fi	اتصال Wi-Fi غير طبيعي، قم بإعادة ضبط Wi-Fi وتنزيل تطبيق Dreamehome ومحاولة الاتصال مرة أخرى. لم تفتح صلاحية تحديد الموقع، يرجى التأكد من أن تطبيق Dreamehome قد فتح صلاحية تحديد الموقع. إشارة Wi-Fi ليست جيدة، يرجى التأكد من أن الجهاز الرئيسي يقع في نطاق إشارة الـ Wi-Fi الجيدة. الجهاز الرئيسي لا يدعم شبكة Wi-Fi بسرعة 5 جيجاهرتز، يرجى التأكد من اتصال الجهاز الرئيسي بشبكة Wi-Fi بسرعة 2.4 جيجاهرتز. اسم مستخدم او كلمة مرور Wi-Fi المنزلي غير صحيحة. الرجاء إدخال اسم مستخدم Wi-Fi وكلمة المرور بالشكل الصحيح.
لا يقوم الجهاز الرئيسي بالتنظيف المجدول	البطارية منخفضة في الجهاز الرئيسي. لن يبدأ التنظيف المجدول ما لم يكن مستوى بطارية الجهاز الرئيسي 15% على الأقل.
هل قاعدة جمع الغبار تستهلك الكهرباء طوال الوقت؟	عندما يكون الجهاز بقاعدة جمع الغبار بشكل دائم يكون استهلاك الطاقة منخفضًا ، مما يساعد على إبقاء البطارية في أفضل احوالها.
لا يوجد ماء يخرج من وحدة المسح أو يخرج القليل منه فقط	تأكد من اذا كان بالخزان بعض المياه ونظف وسادة الممسحة إذا لزم الأمر. نظف الممسحة إذا أصبحت متسخة. يرجى تركيب الممسحة بشكل صحيح حسب التعليمات. يرجى تنظيف فتحة الهواء العائد بأعلى غطاء خزان المياه في الوقت المناسب.
لن يستمر التنظيف عند نقص البطارية واعادة الشحن	يرجى التأكد من أن الجهاز الرئيسي ليس في وضع عدم الإزعاج،التنظيف لن يستمر في هذا الوضع. لن تستمر عملية المسح في حال العودة للشحن اليدوي أو إعادة الجهاز إلى قاعدة جمع الغبار.

المواصفات

الجهاز الرئيسي

رقم الطراز	RLS6AD
مدة الشحن	6 ساعات تقريباً
الجهد المقدر	14.4 V ≍
الطاقة المقدرة	46 W
تردد العملية	2400-2483.5 MHz
طاقة الإخراج القصوى	< 20 dBm

قاعدة جمع الغبار

رقم الطراز	RCS2
الإدخال المقدر	220-240 V~ 50-60 Hz
الإخراج المقدر	19.8 V ≍ 1 A
الطاقة المقدرة	800 W

أثناء الاستخدام العادي، يجب إبقاء هذا الجهاز على مسافة لا تقل عن 20 سم بين الهوائي وجسم المستخدم.

التخلص من البطارية وتفكيكها

تحتوي بطارية الليثيوم أيون المدمجة على مواد مضرّة بالبيئة. قبل التخلص من البطارية، تأكد من تفكيك البطارية بواسطة فنيين مؤهلين والتخلص منها في منشأة إعادة تدوير مناسبة.

- يجب إزالة البطارية من الجهاز قبل التخلص من الجهاز
- يجب فصل الجهاز عن التيار الكهربائي عند إزالة البطارية
- يتطلب التخلص من البطارية بأمان.

تنبيه:

- قبل تفكيك البطارية، يرجى فصلها عن الطاقة وإفراغها قدر الإمكان.
- يجب التخلص من البطاريات غير الضرورية في منشأة إعادة تدوير مناسبة.
- لا تعرض البطارية لدرجة حرارة عالية لتجنب مخاطر الانفجار.
- في حالة حدوث تسرب للبطارية ولاستها عن طريق الخطأ ، يرجى شطفها بكمية كبيرة من الماء وطلب امساعدة الطيبة على الفور.

ليل التفكيك

1. قم بقلب المكنسة، واستخدم الأداة المناسبة لإزالة البراغي الموجودة على الجزء الخلفي، ثم قم بإزالة الغطاء.
2. افصل الطرف الذي يربط بين البطارية واللوحة الأم وأخرج البطارية.